

Masted
forklift truck

MSI 20/25/30 D *Evolution*

- Standard lifting height : 3.30 m
- Nominal capacity : 2000/2500/3000 kg
- Perkins Turbo engine : 50 HP - 37 kw
- Hydrostatic transmission



* Non contractual picture

MSI 20/25/30 D



Load capacity

at 500 mm load centre

MSI 20 D.....	2000 kg
MSI 25 D.....	2500 kg
MSI 30 D.....	3000 kg



Standard lifting height3.30 m



Tyres

Front.....	275/70 R 22.5
Rear.....	7.00 x 12



Forks (mm)

Length.....	1100
Width x thickness.....	100 x 45
Maximum space between forks.....	1260



Hydraulic brakes



Perkins Turbo engine

Typ.....	404 C 22
Capacity.....	4 cylindres 2216 cm ³
Power (ISO TR 14396).....	50 cv/37 kw
Maximum torque.....	143 Nm à 1800 t/mn
Direct injection.....	directe
Water cooling.....	par eau



HYDROSTATIC REXROTH Transmission

Wheel drive.....	2
Electro-magnetic reversing shift	
Speeds forward/reverse.....	1/1
Maximum travel speed.....	20 km/h



Hydraulic system

Steering pump125 bars/79 l/mn



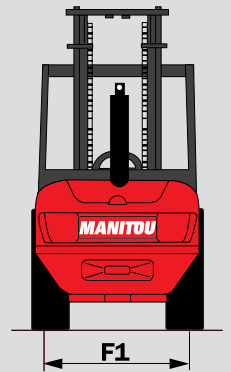
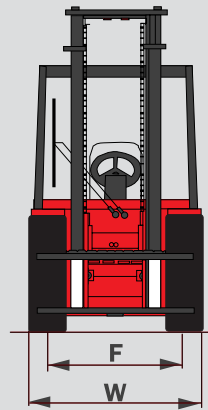
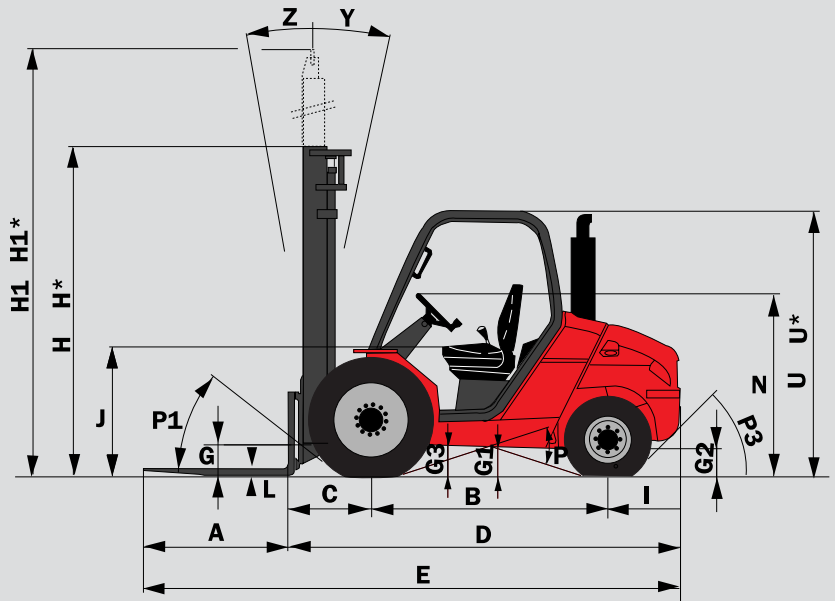
Capacities

Cooling system.....	10.5 l.
Engine oil.....	9.75 l.
Hydrostatic transmission.....	95 l.
Fuel tank.....	73.5 l.

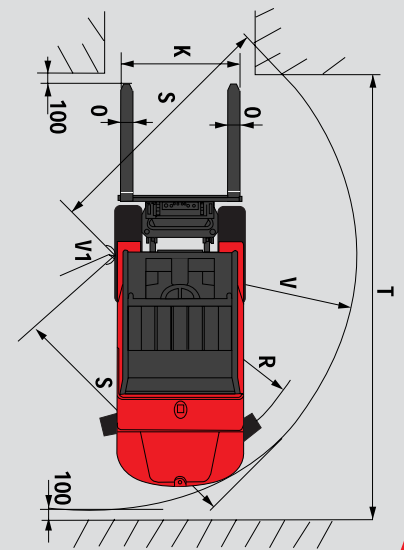


Weight (with forks)

MSI 20/25/30 D.....	3840/4150/4530 kg
Overall width	1.32 m
Overall height (mast lowered).....	2.30 m
Overall length	4.04/4.04/4.08 m
Ground clearance	215 mm



	MSI 20 +BUGGIE	MSI 25 +BUGGIE	MSI 30
A	1100	1100	1100
B	1800	1800	1800
C	625	625	630
D	2945	2945	2980
E	4045	4045	4080
F	1046	1046	1046
F1	1102	1102	1102
G	270	270	270
G*	240	240	240
G1	260	260	260
G1*	260	260	260
G2	215	215	215
G2*	230	230	230
G3	270	270	270
H	2300	2300	2300
H*	1950	1950	2050
H1	4131	4131	4193
H1*	4470	4470	4500
I	520	520	550
J	1025	1025	1025
K	1260	1260	1260
L	40	40	45
N	1450	1450	1450
O	100	100	100
P1	49,5°	49,5°	49,5°
P2	40,5°	40,5°	40,5°
P3	44°	44°	40°
R	2310	2310	2310
S	2545	2545	2580
T	4525	4525	4560
U	2105	2105	2105
U*	1990	1990	1990
V	2600	2600	2635
V1	150	150	150
W	1323	1323	1323
Y	12°	12°	12°
Z	10°	10°	10°



This publication in no way constitutes an offer and the company reserves the right to alter specification without prior notice. The MANITOU models presented in this brochure can be supplied complete with optional equipment attachments.

H - H1 - R = Standard
H*-(Triplex 3,70 m) H1* = Option

U* = MSI 20/25 BUGGIE
G* - G1* - G2* = loaded



MANITOU BF SA

B.P. 249 - 44158 Ancenis Cedex - France
Tél. : 33 2 40 09 10 11 / Export Department Fax : 33 2 40 09 10 97
www.manitou.com

700289EN

