

# M 40/50

- Standard lifting height : 3.70 m
- Engine : 85.5 HP
- Capacity : 4000/5000 kg
- Torque convertor

4 WHEEL DRIVE



MASTED FORKLIFT TRUCK

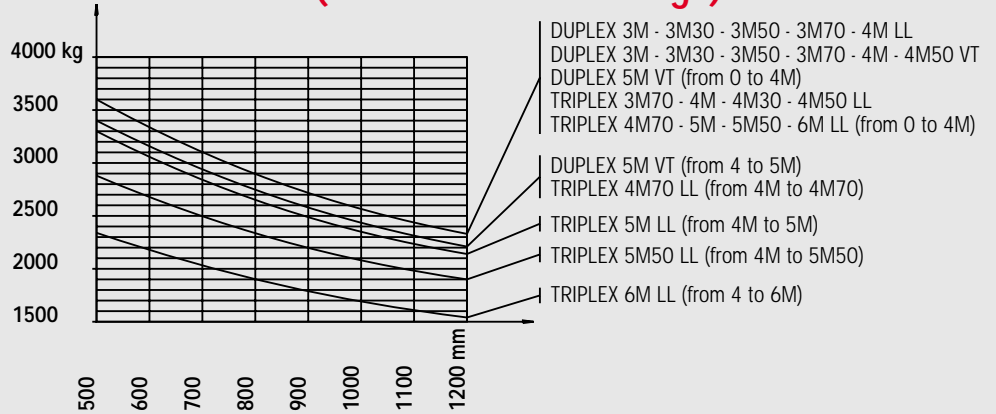


# M 40/50 - 4 - 4 Load Chart

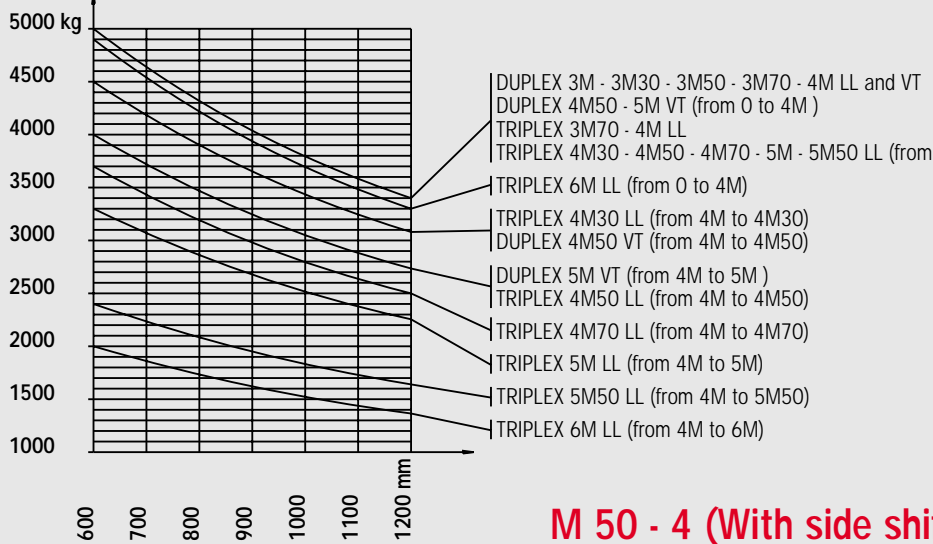
## M 40 - 4 (Without side shift carriage)



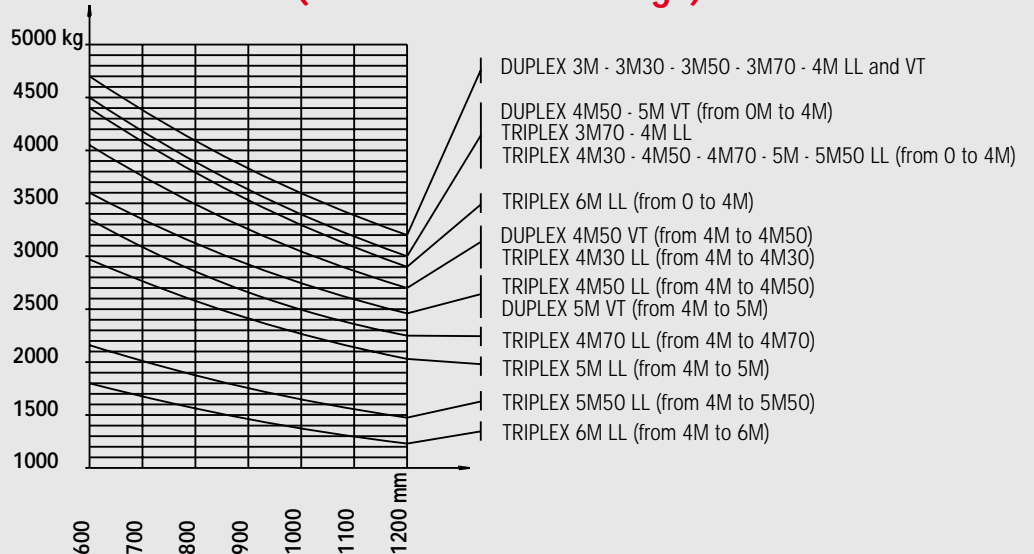
## M 40 - 4 (With side shift carriage)



## M 50 - 4 (Without side shift carriage)

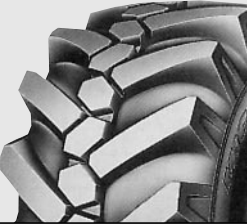



## M 50 - 4 (With side shift carriage)



MAST		TYPE	LIFTING HEIGHT ON FORKS	OVERALL HEIGHT MAST LOWERED (mm)	FREE LIFT ON FORKS (mm)	OVERALL HEIGHT MAST EXTENDED	HEIGHT AT MAX CAPACITY (mm)		CAPACITY AT MAX HEIGHT (kg)		MAST TILT ANGLE Front/Rear
							Avec TDL	Sans TDL	Avec TDL	Sans TDL	
DUPLEX TOTAL VISIBILITY	3.00 m	M 40 - 4 M 50 - 4	3050 3060	2560	-	4115	3000 3000	3000 3000	3600 4700	4000 5000	15°/15°
	3.30 m	M 40 - 4 M 50 - 4	3350 3360	2710	-	4415	3300 3300	3300 3300	3600 4700	4000 5000	15°/15°
	3.50 m	M 40 - 4 M 50 - 4	3550 3560	2810	-	4615	3500 3500	3500 3500	3600 4700	4000 5000	15°/15°
	3.70 m	M 40 - 4 M 50 - 4	3750 3760	2910	-	4815	3700 3700	3700 3700	3600 4700	4000 5000	15°/15°
	4.00 m	M 40 - 4 M 50 - 4	4050 4060	3060	-	5115	4000 4000	4000 4000	3600 4700	4000 5000	15°/15°
	4.50 m	M 40 - 4 M 50 - 4	4550 4560	3305	-	5615	4500 4500	4500 4000	3600 4050	4000 4500	15°/15°
	5.00 m	M 40 - 4 M 50 - 4	5050 5060	3560	-	6115	4000 4000	4000 4000	3400 3600	3800 4000	15°/15°
DUPLEX FREE LIFT	3.00 m	M 40 - 4 M 50 - 4	3050 3060	2585	1468 1478	4117	3000 3000	3000 3000	3600 4700	4000 5000	15°/15°
	3.30 m	M 40 - 4 M 50 - 4	3350 3360	2735	1618 1628	4417	3300 3300	3300 3300	3600 4700	4000 5000	15°/15°
	3.50 m	M 40 - 4 M 50 - 4	3550 3560	2835	1718 1728	4617	3500 3500	3500 3500	3600 4700	4000 5000	15°/15°
	3.70 m	M 40 - 4 M 50 - 4	3750 3760	2935	1818 1828	4817	3700 3700	3700 3700	3600 4700	4000 5000	15°/15°
	4.00 m	M 40 - 4 M 50 - 4	4050 4060	3085	1918 1928	5517	4000 4000	4000 4000	3600 4700	4000 5000	15°/15°
TRIPLEX  FREE LIFT	3.70 m	M 40 - 4 M 50 - 4	3750 3760	2310	1205 1215	4805	3700 3700	3700 3700	3600 4500	4000 5000	15°/15°
	4.00 m	M 40 - 4 M 50 - 4	4050 4060	2410	1305 1315	5105	4000 4000	4000 4000	3600 4500	4000 5000	15°/15°
	4.30 m	M 40 - 4 M 50 - 4	4350 4360	2510	1405 1415	5405	4300 4000	4300 4000	3600 4050	4000 4500	15°/15°
	4.50 m	M 40 - 4 M 50 - 4	4550 4560	2585	1430 1440	5605	4500 4000	4500 4000	3600 3600	4000 4000	15°/15°
	4.70 m	M 40 - 4 M 50 - 4	4750 4760	2645	1540 1550	5805	4000 4000	4000 4000	3400 3350	3800 3700	15°/15°
	5.00 m	M 40 - 4 M 50 - 4	5050 5060	2760	1635 1645	6105	4000 4000	4000 4000	3300 2950	3700 3300	15°/15°
	5.50 m	M 40 - 4 M 50 - 4	5550 5560	2910	1805 1815	6605	4000 4000	4000 4000	2880 2150	3200 2400	15°/15°
	6.00 m	M 40 - 4 M 50 - 4	6050 6060	3085	1980 1990	7105	4000 4000	4000 4000	2350 1700	2600 2000	15°/15°

### M 40/M 50 - 4 TYRES

	RANGE		TYRE	TYPE WIDTH (mm)	OVERALL WIDTH (mm)	
STANDARD	MIXTE	Front	18 R 22,5 XF Tubeless* PR (445/65 R22,25)	450	2070	
	MIXTE	Rear	12,5 - 18 MPT E 58 Tubeless 10 PR 128 G	335	2055	

## M 40.4/M.50.4



### Load capacity

M 40.4 .....4000 kg  
at 500 mm load centre  
M 50.4 .....5000 kg  
at 600 mm load centre



**Lifting height :** .....3.70 m

Lifting speed unladen/laden (m/s)  
M 40.4 .....0.53/0.49  
M 50.4 .....0.46/0.40  
Lowering speed unladen/laden (m/s)  
M 40/50.4 .....0.41/0.50



### Tyres

Front ...18 R 22.5 XF Tubeless PR (445/65 R 22.5)  
Rear .....12.5-18 MPT E 58 Tubeless 10 PR 128 G



### Forks (mm)

Length .....1200  
Width x thickness M 40.4 .....150x50  
M 50.4 .....150x60



**Brakes hydraulically operated with oil-immersed discs**



### Perkins engine

Type .....1004. 42  
Capacity .....4 cyl. 3990 cm<sup>3</sup>  
Rated speed .....2300 r.p.m.  
Power (ISO TR 14396) .....63 Kw (85,5 HP)  
Maximum torque .....300 Nm at 1400 r.p.m.  
Direct injection  
Water cooling



**Transmission** .....Torque convertor

Electro-hydraulic reversing shift  
4 speeds forward and reverse  
Maximum travel speed .....25 km/h  
Electro-hydraulic rear axle clutch



### Hydraulics

Main pump (lifting/tilting) :  
Gear type .....210 bar/92 l./mn  
Flow divider with Load Sensing device driving gear type .....145 bar/92 l./mn



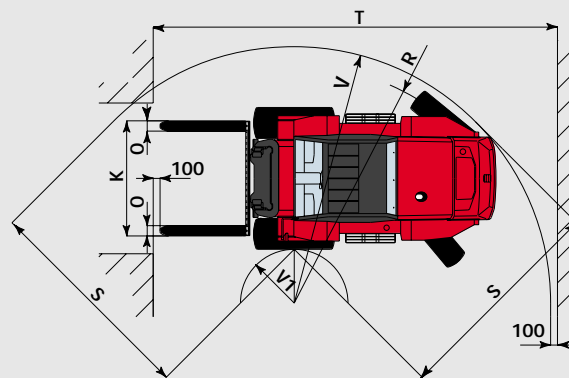
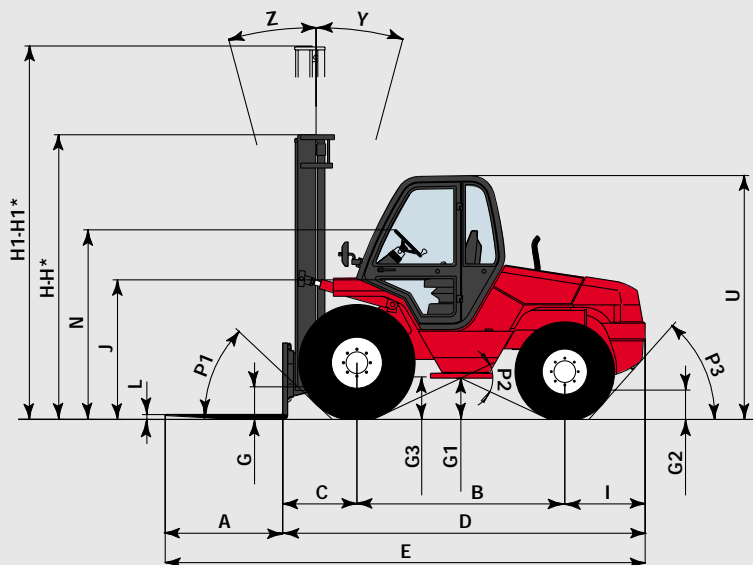
### Capacities

Cooling system .....19 l.  
Engine oil .....7,6 l.  
Hydraulic oil .....80 l.  
Transmission oil .....15,5 l.  
Fuel tank .....85 l.



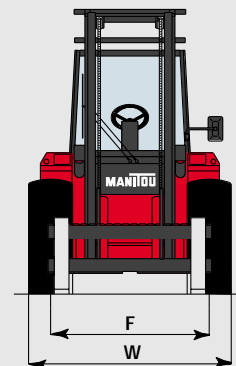
### Weight (with forks)

M 40.4 .....6790 kg  
M 50.4 .....7750 kg



	M 40.4	M 50.4
A	1200	1200
B	2124	2124
C	762	772
D	3745	3755
E	4945	4955
F	1620	1620
F1	1720	1720
G	265	265
G1	365	365
G2	290	290
G3	360	360
H	2910	2910
H*	2510	2510
H1	4815	4815
H1*	5405	5405
I	859	859
J	1425	1425
K	1670	1670
L	50	60
N	1925	1925
O	150	150
P1	43,5°	43,5°
P2	50°	50°
P3	48,5°	48,5°
R	4020	4020
S	3425	3425
T	6525	6535
U	2485	2485
V	4360	4360
V1	1325	1325
W	2085	2085
Y	15°	15°
Z	15°	15°

H - H1 = Standard  
H\* - H1\* = Option  
mm



This publication in no way constitutes an offer and the company reserves the right to alter specification without prior notice.  
The MANITOU models presented in this brochure can be supplied complete with optional equipment attachments



MANITOU B.F. S.A.  
B.P. 249 - 44158 ANCENIS CEDEX - FRANCE  
TEL : 33 2 40 09 10 11  
EXPORT DEPARTMENT FAX : 33 2 40 09 10 97  
www.manitou.com

