

# MANITOU

# MC 30

## An unrivalled yard forklift

- Capability 3000 kg
- Lifting height of 3 m to 7 m



\* Equipment shown with optional fitting





# MC 30: An unrivalled yard forklift

This yard forklift with its 3-tonne capability combines ease of use and effective operation. The MC 30 represents sure value for handling in the yard.

- **MANITOU the solution for day-to-day handling outside**

The MC 30 has an open cab (optional enclosed cab) giving easy access from either side. The wide step and access handles ensure that the operator gets in and out safely.



Standard fittings on the MC 30 include a left-hand exterior rear-view mirror, reversing shift on the steering column and control levers in line near the seat. MANITOU also offers a wide choice of masts that allow total vision. The front axle of the MC 30 has a multidisc oil immersed brakes and hydraulic differential lock. The integral steering ram on the rear axle gives a very short turning radius for yard work.

- **Experience with a variety of handling requirements**

As every site has its own needs for storage and loads to be handled, MANITOU has designed an extremely versatile truck.



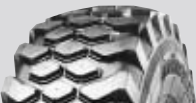



## MC 30 Roller masts

MASTS		LIFTING HEIGHT ON FORKS (mm)	OVERALL HEIGHT MAST LOWERED (mm)	FREE LIFT ON FORKS (mm)	OVERALL HEIGHT MAST EXTENDED (mm)	HEIGHT AT MAX. CAPACITY (mm)		CAPACITY AT MAX. HEIGHT (kg)		MAST TILTING ANGLE Front/Rear
						With side shift carriage	Without side shift carriage	With side shift carriage	Without side shift carriage	
DUPLEX TOTAL VISIBILITY	3.00 m	3030	2305	130	4045	3000		3000	3000	6°/12°
	3.30 m	3330	2455	130	4345	3300		3000	3000	6°/12°
	3.70 m	3730	2715	130	4745	3700		3000	3000	6°/12°
	4.00 m	4030	2905	130	5045	4000		3000	3000	6°/12°
	4.50 m	4530	3155	130	5545	4000		2800	2900	6°/12°
	5.00 m	5030	3405	130	6045	4000		2400	2600	6°/12°
DUPLEX FREE LIFT	3.00 m	3040	2305	1383	3962	3000		3000	3000	6°/12°
	3.30 m	3340	2455	1533	4262	3300		3000	3000	6°/12°
	3.50 m	3540	2555	1633	4462	3500		3000	3000	6°/12°
	3.70 m	3740	2715	1793	4662	3700		3000	3000	6°/12°
	4.00 m	4040	2905	1983	4962	4000		3000	3000	6°/12°
TRIPLEX TOTAL VISIBILITY	5.50 m Without Free lift	5545	2985	-	6655	4000		1900	2100	6°/10°
TRIPLEX FREE LIFT	3.70 m	3740	2205	1283	4662	3700		3000	3000	6°/12°
	4.00 m	4040	2305	1383	4962	4000		3000	3000	6°/12°
	4.30 m	4340	2455	1533	5262	4000		2900	3000	6°/12°
	4.70 m	4740	2555	1633	5662	4000		2600	2800	6°/12°
	5.00 m	5040	2715	1793	5962	4000		2400	2600	6°/12°
	5.50 m	5540	2905	1983	6462	4000		1900	2100	6°/12°
	6.00 m	6040	3155	2233	6962	4000		1600	1800	6°/12°
	6.50 m	6540	3405	2483	7462	4000		1200	1350	6°/12°
7.00 m	7040	3655	2733	7962	4000		900	1000	6°/12°	

## MC 30 Sliding masts

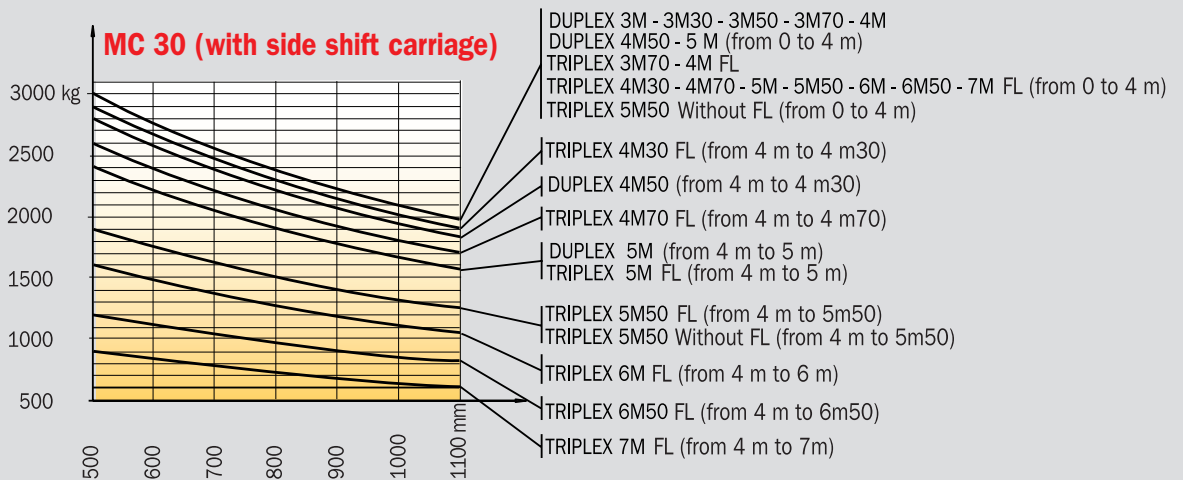
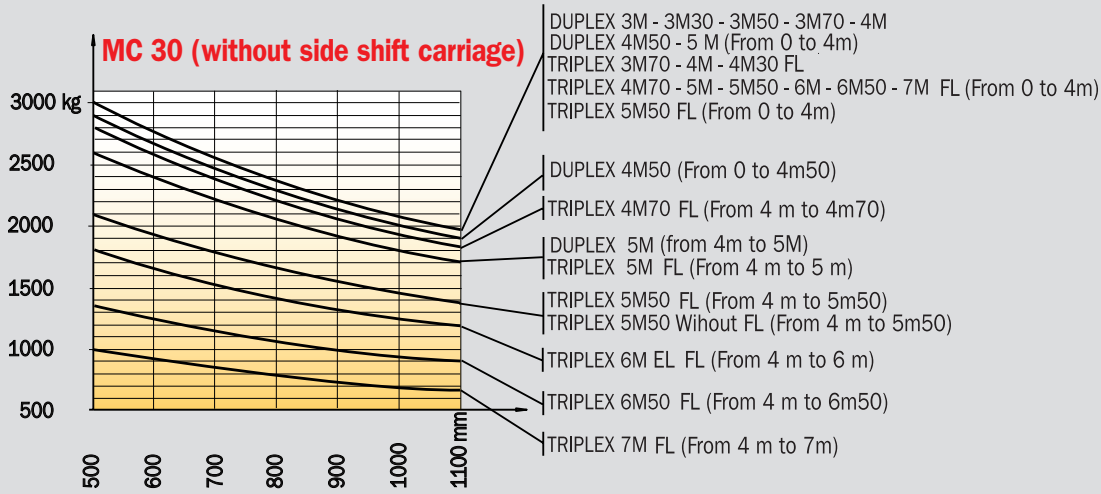
MASTS		LIFTING HEIGHT ON FORKS (mm)	OVERALL HEIGHT MAST LOWERED (mm)	FREE LIFT ON FORKS (mm)	OVERALL HEIGHT MAST EXTENDED (mm)	HEIGHT AT MAX. CAPACITY (mm)		CAPACITY AT MAX. HEIGHT (kg)		MAST TILTING ANGLE Front/Rear
						With side shift carriage	Without side shift carriage	With side shift carriage	Without side shift carriage	
DUPLEX TOTAL VISIBILITY	3,00 m	3045	2555	-	4055	3000		2700	3000	6°/10°
	3.60 m	3645	2855	-	4655	3600		2700	3000	6°/10°
	4.00 m	4045	3055	-	5055	4000		2700	3000	6°/10°
TRIPLEX TOTAL VISIBILITY	4.50 m	4545	3405	-	5655	4000		2410	2700	6°/10°
	4.50 m	4545	2470	-	5470	4500		2410	2700	6°/10°
	5.40 m	5445	2860	-	6460	3600		1600	1750	6°/10°
TRIPLEX FREE LIFT	6,75 m	6795	3330	-	7830	4500		900	1000	6°/10°
TRIPLEX FREE LIFT	4.55 m	4595	2320	1450	5420	1450		2410	2700	6°/10°

## MC 30 Tyres

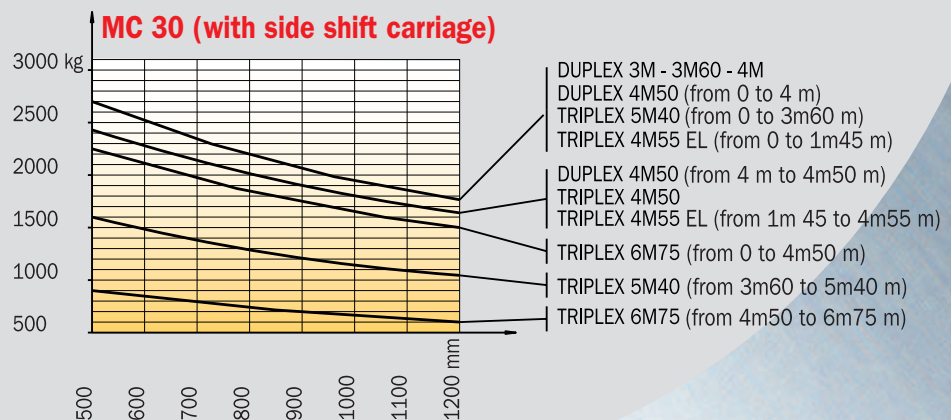
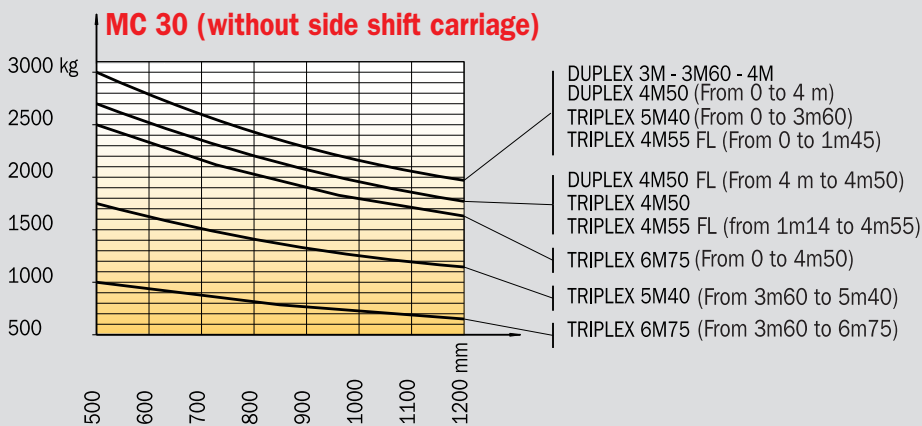
Standard		Options	
Front	Rear	Front	Rear
Mixed	Industrial	Farming	Industrial
14,5 R 20 MPT 80 Tubeless 18 PR - 143 G/J	10 R 17.5 134 M G291	375/75 R 20 XM 27 Tubeless 155 AZ/142 B	10 R 17.5 LDR Tubeless 134/132 L
<b>Tyre width (mm)</b>			
350	250	385	262
<b>Overall width (mm)</b>			
1900	1815	1935	1827
			



## MC 30 with roller mast load chart



## MC 30 with sliding mast load chart

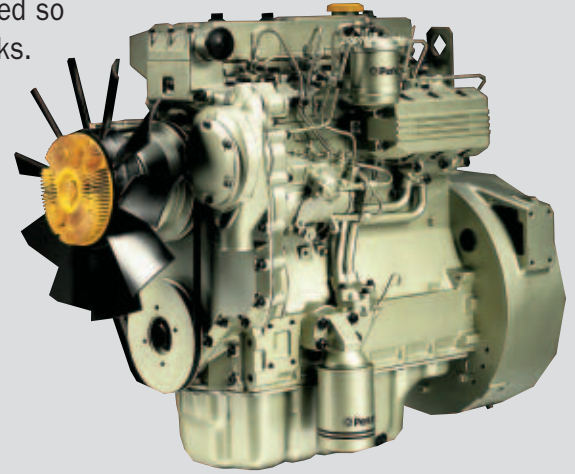


- **You can be sure of robust design**

The MC 30, and more widely the MC range, is the result of continuous dialogue between the design office and the users. Components have been designed so that they are completely adapted to the use that will be made of the trucks.

The 4-cylinder direct injection 1004.42 Perkins conventional engine was chosen for its high performance and reliability. It develops 60 kW/ 80 hp at a nominal engine speed of 2200 rpm and has the Fastram combustion system.

The torque converter transmission and the gearbox allow the torque and gear to be altered according to the work being done. The driving speed of 24 km/h enables travel times on site to be shortened.



- **The benefit of easy maintenance**


Since maintenance is an integral part of the life of a handling truck, the MC 30 gives access to the entire engine unit.

The quality of its design limits the risks of unforeseen stoppages, extends the life of the truck and helps to reduce maintenance costs.



**The MC range includes models from 3 to 7 tonnes.**


## MC 30


 **Load capacity** .....3000 kg  
At 500 mm load center


 **Standard lifting height** .....3.70 m  
Speed unladen/laden (m/s)  
Lifting.....0.57/0.54  
Lowering.....0.48/0.50

 **Tyres**  
Front .....14.5 R 20 MPT 80  
Tubeless 18 PR 143 G/J  
Rear .....10 R 17.5 134 M G 291

 **Forks** (mm)  
Length .....1200  
Width x thickness.....125x40


 **Brakes hydraulically operated oil-immersed multidiscs**

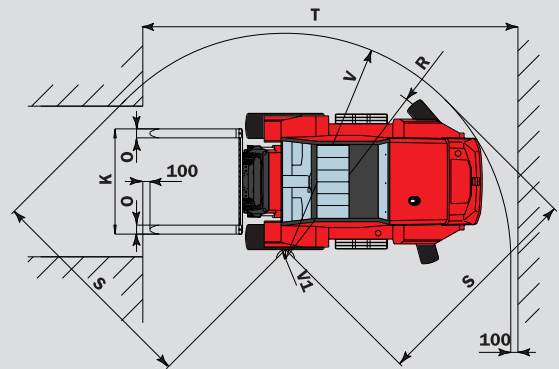
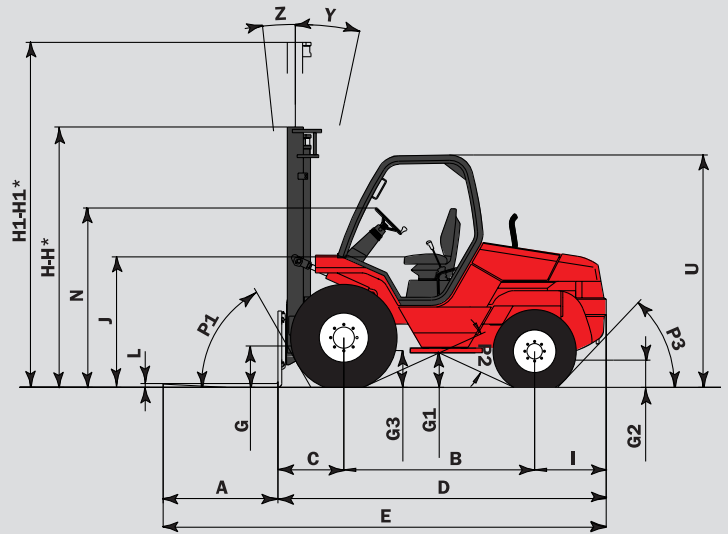
 **PERKINS engine**  
Type .....1004.42  
Capacity .....4 cyl. 4233 cm<sup>3</sup>  
Rated speed .....2200 r.p.m.  
Power (ISO/TR 14396) .....60 Kw (80 HP)  
Maximum torque .....298 Nm at 1400 r.p.m.  
Direct injection  
Water cooling

 **Transmission** .....Torque convertor  
Electro hydraulic reversing shift  
4 speeds forward and reverse  
Maximum travel speed .....24 km/h  
Hydraulic differential lock

 **Hydraulics**  
Main pump  
Gear type .....185 bar/87 l./mn  
Flow divider with priority to steering  
gear type .....125 bar/87 l./mn

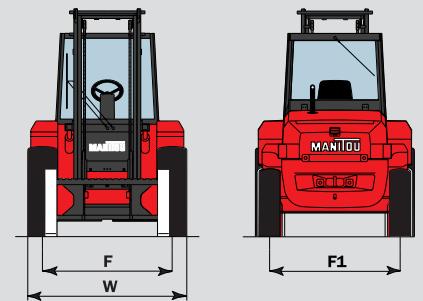
 **Capacities**  
Cooling system .....19 l  
Engine oil .....10.5 l  
Hydraulic oil .....64 l  
Transmission oil .....15.5 l  
Fuel tank .....85 l

 **Weight** (with mast and forks) .....5130 kg



	Roller mast	Sliding mast
A	1200	1200
B	1995	1995
C	697	715
D	3442	3460
E	4642	4660
F	1550	1550
F1	1564	1564
G	425	385
G1	385	385
G2	300	300
G3	380	380
H	2715	2855
H1	4745	4655
H*	2205	3055
H1*	4662	4055
I	750	750
J	1400	1400
K	1470	1320
L	40	45
N	1880	1880
O	125	125
P1	60,5°	60,5°
P2	49°	49°
P3	46,5°	46,5°
R	2910	2910
S	3060	3060
T	5307	5307
U	2460	2460
V	3210	3210
V1	210	210
W	1900	1900
Y	12°	10°
Z	6°	6°

mm



### Standard

- Torque converter transmission
- Driver's cab with tinted front windscreen and rear window
- Leatherette-covered seat
- Front and rear windscreen-wiper
- Exterior left-hand rear-view mirror
- Reversing shift on steering column
- Hydraulic differential lock
- ...

### Options

- Enclosed cab with tinted windows and heating, front and rear windscreen-wiper, front windscreen-washer
- Rotating beacon
- Audible Reverse Alarm
- Road Lights ( Including Indicators)
- Working lights
- Sliding masts
- Various attachments such as buckets, TDL, grabs etc...



**MANITOU B.F. S.A.**

B.P.249 - 44158 ANCENIS CEDEX - FRANCE

TEL : 33 2 40 09 10 11

EXPORT DEPARTMENT FAX : 33 2 40 09 10 97

www.manitou.com