

MANITOU

MC 60/70 T Powershift

Heavy duty yard forklifts

- Capability 6000 kg and 7000 kg
- Lifting height of 3.60 m to 4.50 m



MC 60/70 T, heavy duty yard forklifts

Whatever the load and the state of the ground, MC 60/70 T trucks give top quality performance. MANITOU, the expert in rough-terrain handling, has put its experience into yard handling.

- **Performance and stability**

The MCs 60/70 T are powerful trucks with a Perkins Turbo 1004.42 engine giving 106.5 hp/78.5 kW, and torque converter transmission for working on any kind of ground.

Low pressure tyres, a differential lock and an oscillating axle give superb performance and prevent damaging the ground. Wide diameter wheels combined with high ground clearance allow obstacles (rails, rough terrain, pot-holes etc.) to be crossed in complete safety.



- **Fast and flexible working**



The new Powershift gearbox with electronic gear selector optimises cycle times.






There is progressive gear change carried out under torque for fast operation.

Driving is kept flexible by the EGS system which automatically adjusts the engine speed in accordance with the gear selected.

Masted POWERSHIFT MC 60 T/MC 70 T

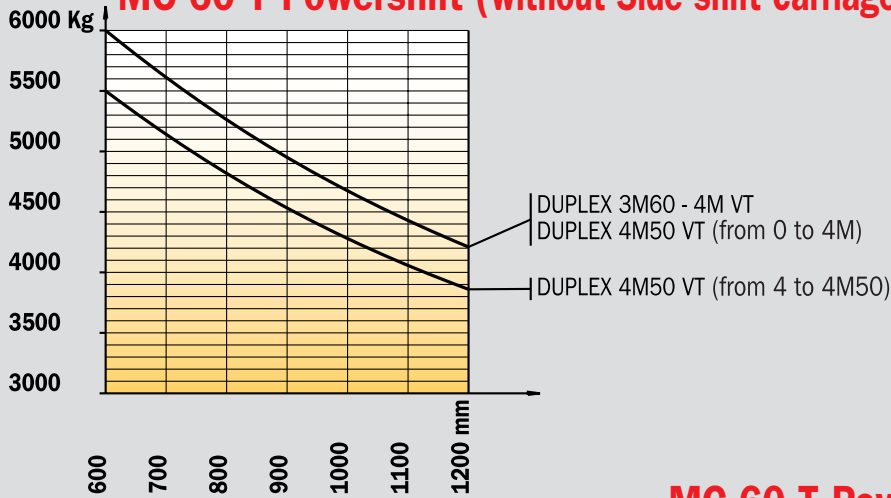
MASTS		TYPE	LIFTING HEIGHT ON FORKS (mm)	OVERALL HEIGHT MAST LOWERED (mm)	FREE LIFT ON FORKS (mm)	OVERALL HEIGHT MAST EXTENDED (mm)	HEIGHT AT MAX. CAPACITY (mm)		CAPACITY AT MAX. HEIGHT (kg)		MAST TILTING ANGLE Front/Rear
							With side shift carriage	Without side shift carriage	With side shift carriage	Without side shift carriage	
							DUPLEX	3.60 m	MC 60 T Powershift MC 70 T Powershift	3670	
TOTAL	4.00 m	MC 60 T Powershift MC 70 T Powershift	4070	3405	-	5405	4000 4000	4.000 4.000	5400 6300	6000 7000	15°/15°
VISIBILITY	4.50 m	MC 60 T Powershift MC 70 T Powershift	4570	3655	-	5905	4000 4000	4.000 4.000	4950 5850	5500 6500	15°/15°

MC 60 T/MC 70 T POWERSHIFT Tyres

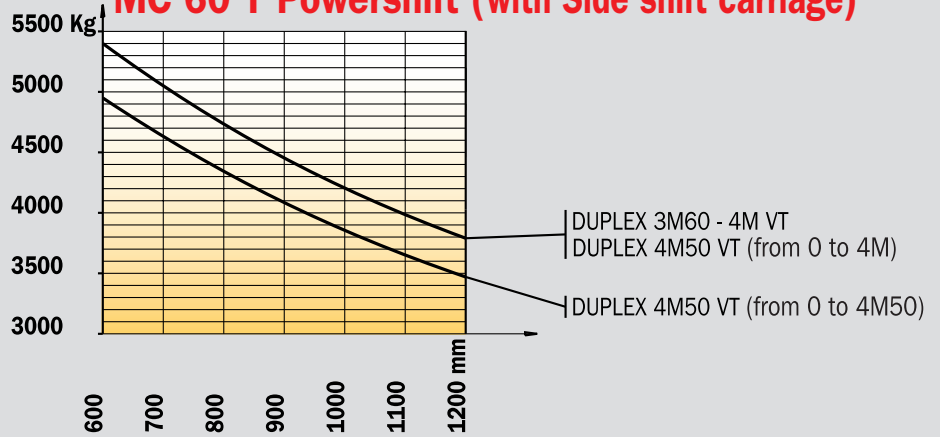
	Version		Casing	Tyre width (mm)	Overall width with tyres (mm)	
Fitted as standard	All-purpose	Front	18 R 19.5 XF Tubeless (445/65 R 19.5)	450	2150	
	Industrial	Rear	9.5 R 19.5 XZY Tubeless 134/131 K	240	1820	
Optional fitting	All-purpose	Front	18 R 22.5 XF Tubeless (445/65 R 22.5)	450	2150	
	Industrial	Front	445/65 R 19.5 XZY	450	2150	
	Industrial	Rear	285/70 R 19.5 XZY	277	1870	

Load charts MC 60/MC 70 T Powershift

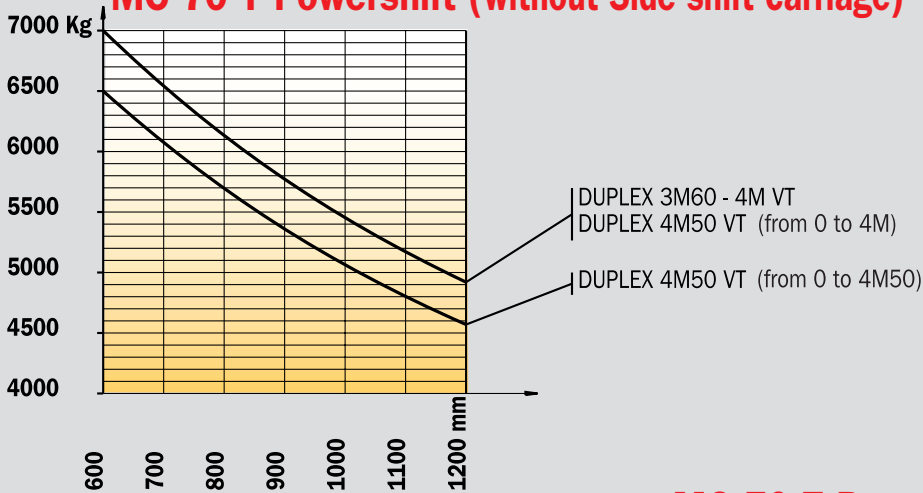
MC 60 T Powershift (without Side shift carriage)



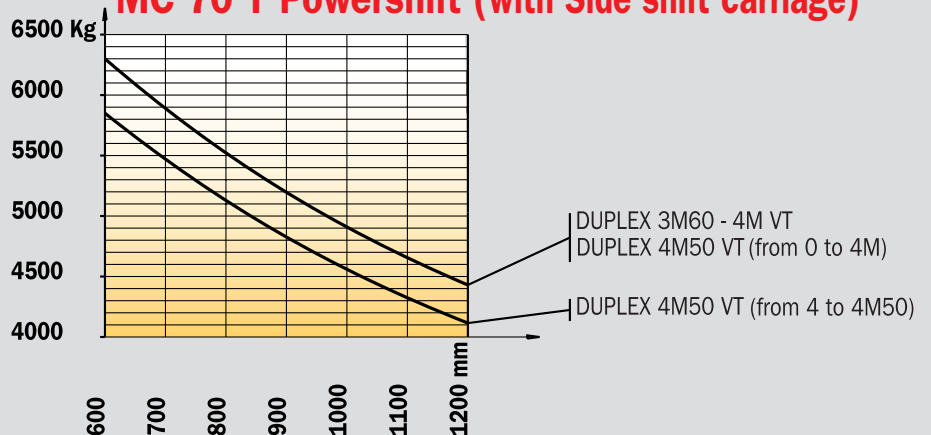
MC 60 T Powershift (with Side shift carriage)



MC 70 T Powershift (without Side shift carriage)



MC 70 T Powershift (with Side shift carriage)



• Quality and reliability

The solid bloc welded chassis is designed to withstand stress and damage.

The cab in high resistance steel complies with international safety standards.

The high quality design, the rigorous selection of components and effective treatment against corrosion guarantee the truck's reliability and long life.



• Driving comfort

The driver's compartment in the MC 60/70 T gives spacious comfort with a panoramic view. The cab's large size (2 m³) combined with the ergonomically designed position of the control levers make driving these trucks a pleasure.

The overall design of the MC range complies with demands for safety with good forward, side and rear vision. And the roof screen gives good vision upwards.

The Powershift control on the steering column enables working speeds to be easily controlled, and the control levers are located in a logical position near the seat.



The MC range includes models from 3 to 7 tonnes.

MC 60 T Powershift MC 70 T Powershift



Lifting capability

MC 60 T Powershift6000 kg
MC 70 T Powershift7000 kg
600 mm from the forks



Standard lifting height

.....4,00 m
Speed empty/ laden (m/s)
MC 60 T Powershift
Lifting.....0.44/0.38
Lowering.....0.43/0.50
MC 70 T Powershift
Lifting.....0.40/0.35
Lowering.....0.37/0.43



Tyres

Front18 R 19.5 XF Tubeless (445/65 R 19,5)
Rear9.5 R 19.5 Tubeless XZY 134/131 K



Forks (mm)

Length1500
Width x thickness150x70



Hydraulic oil bath multidisk brakes on the front axle



PERKINS engine

Type1004.40 Turbo
Capacity4 cyl. - 3990 cm³
Nominal engine speed2300 r.p.m.
Power at (ISO/TR 14396106.5 HP (78.5 Kw)
Maximum torque394 Nm at 1400 r.p.m.
Direct injection
Water cooled



Transmission

.....Powershift
Electro-hydraulic reversing shift
4 forward and 3 reverse gears
Maximum travelling speed25 km/h
Electro-hydraulic differential lock



Hydraulic

Main gear pump
Pressure/flow230 bar/92.5 l./mn
Priority flow divider for steering145 bar/92.5 l./mn



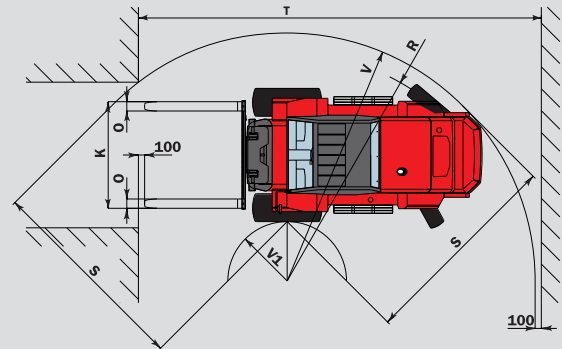
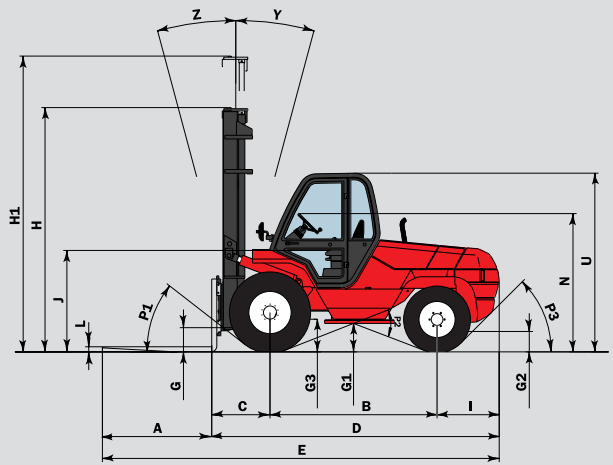
Capacity

Cooling system19 l.
Engine oil11,5 l.
Hydraulic oil108 l.
Transmission oil12,5 l.
Fuel115 l.

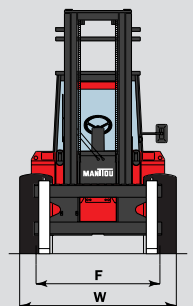


Weight (with forks)

MC 60 T Powershift9055 kg
MC 70 T Powershift9700 kg



	MC 60 T Powershift	MC 70 T Powershift
A	1500	1500
B	2293	2493
C	803	803
D	3960	4160
E	5460	5660
F	1700	1700
F1	1580	1580
G	320	320
G1	390	385
G2	305	305
G3	390	390
H	3405	3405
H1	5405	5405
I	864	864
J	1390	1390
K	1750	1750
L	70	70
N	1860 à 1920	
O	150	150
P1	38°	38°
P2	42,5°	38,5°
P3	45°	45°
R	3625	3840
S	3460	3510
T	6500	6715
U	2440	2440
V	3995	4210
V1	760	995
W	2150	2150
Y	15°	15°
Z	15°	15°



Standard

- Enclosed cab with tinted windows
- Fabric-covered seat
- Adjustable steering column
- Heating
- Windscreen-wiper and front/rear windscreen-washer
- Exterior left-hand rear-view mirror
- Reversing shift on steeringcolumn
- Road lights front and rear including indicators
- Electro-hydraulic differential lock
- ...

Options

- Screen guard
- Rotating beacon
- Audible reverse alarm
- Working lights
- Wide carriages
- Various attachments such as buckets, TDL, grabs etc...

This publication in no way constitutes an offer and the company reserve the right to alter specification without prior notice. The MANITOU models presented in this brochure can be supplied complete with optional equipment attachments.

mm
H-H1: Standard



MANITOU B.F. S.A.
B.P249 - 44158 ANCENIS CEDEX - FRANCE
TEL : 33 2 40 09 10 11
EXPORT DEPARTMENT FAX : 33 2 40 09 10 97
www.manitou.com