

# MANITRANSIT

# TMT 317 SI

## SEMI - INDUSTRIAL TELESCOPIC TRUCK-MOUNTED FORKLIFT

- Excellent ratio weight/capacity
- Integrated side - shift 150 mm
- Nominal capacity 1700 kg/maximum 2000 kg



## TMT 317 SI



### Load capacities (load centre 500 mm)

Nominal capacity : .....1700 kg  
(in front of wheels, at max. height)  
Maximum capacity : .....2000 kg  
(between wheel arms)



### Telescopic boom (without additional equipment)

Maximum lifting height : .....3.00 m  
Maximum forward reach : .....1.13 m  
Side-shift : .....150 mm  
Tipping/crowding : .....9°/98°  
2 cross levers for all movements



### Wheels

3 wheel drive  
Front tyres : .....18 x 7.8 16 PR (overall Ø = 462 mm)  
Rear tyre : .....27 x 10 - 12 12 PR (overall Ø = 704 mm)



### Engine

KUBOTA D1105 E  
Capacity : .....3 cyl. - 1123 cm<sup>3</sup>  
Power (DIN 70020) : .....26.5 HP/19.5 kw



### Transmission

Type : .....hydrostatic  
Reversing shift (on lever) : .....electro-magnetic  
Differential lock : .....foot-operated  
Maximum travel speed : .....10 km/h  
Hydraulic pump : .....240 bar/36 l/mn



### Tanks

Fuel : .....40 L  
Hydraulic oil : .....35 L



### Dimensions

Overall width : .....2204 mm  
Overall height : .....2162 mm  
Turning radius (rear wheel axle) : .....1835 mm  
Turning circle (rear frame) : .....2652 mm  
Ground clearance : .....311 mm  
Overhang : .....1170 mm  
Overall weight (including 1100 mm forks) : .....1935 kg



### Design and safety

ROPS/FOPS cab and overload indicator  
Stability testings under EN 1459 A regulation  
Full visibility  
Waterproof dashboard and electric connections  
Closed frame for full protection of components  
High resistance polyurethane painting  
Low cost and easy maintenance



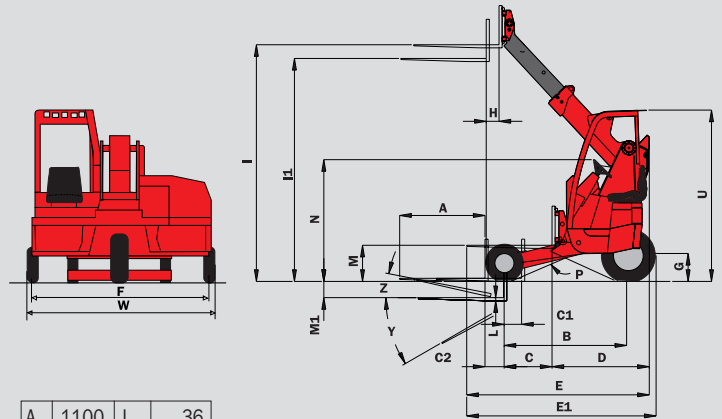
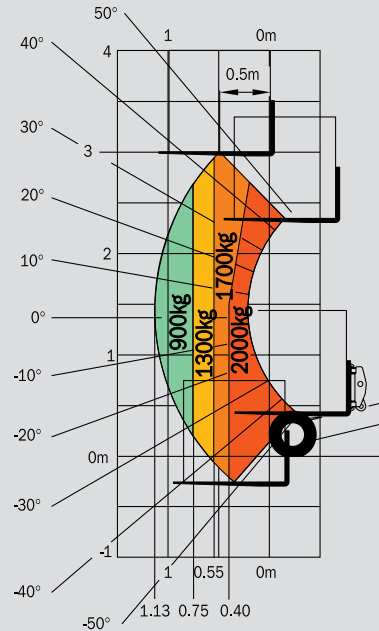
### Hooking (in option)

Mounting kit with crash bar  
Fitting and load study  
Possible adaptation to any existing mounting kit

### Options

- 1200 mm and 2000 mm forks
- Load backrest (1070 x 468 mm)
- Hydraulic line for attachments
- Rotating beacon and road lights
- Light on reversing shift and working lights
- Rear lights protection
- Rear view mirrors (inside and outside)
- Transparent roof guard
- Seat cover
- Warning horn on reversing shift
- Oil cooling
- Self-cleaning filter

This publication in no way constitutes an offer and the company reserves the right to alter specification without prior notice.  
The MANITOU models presented in this brochure can be supplied complete with optional equipment attachments.  
IMPORTANT : All regulations relating to vehicles apply to vehicles equipped with truck-mounted forklifts.



A	1100	L	36
B	1525	M	412
C	565	M1	265
C1	219	N	1521
C2	339	O	125
D	1248	P	42°
E	2348	R	1835
E1	2390	S	3151
F	2040	T	2709
G	311	U	2162
H	106	V	2652
I	2996	V1	1972
I1	2886	W	2204
J	1561	Y	98°
K	1070	Z	9°
K1	150		

mm

