

MANITRANSIT

TMT 320 SI

SEMI - INDUSTRIAL TELESCOPIC TRUCK-MOUNTED FORKLIFT

- High capacity semi - industrial
- Integrated side - shift 150 mm
- Nominal capacity 2000 kg/maximum 2500 kg



TMT 320 SI



Load capacities (load centre 500 mm)

Nominal capacity :2000 kg
(in front of wheels, at max. height)
Maximum capacity :2500 kg
(between wheel arms)



Telescopic boom (without additional equipment)

Maximum lifting height :3.00 m
Maximum forward reach :1.05 m
Side-shift :150 mm
Tipping/crowding :9°/98°
2 cross levers for all movements



Wheels

3 wheel drive
Front tyres :18 x 7.8 16 PR (overall Ø = 462 mm)
Rear tyre :10 x 16.5 10 PR (overall Ø = 788 mm)



Engine

LISTER PETER LPWS 4
Capacity :4 cyl. – 1860 cm³
Power (DIN 70020) :39.7 HP/29.2 kW



Transmission

Type :hydrostatic
Reversing shift (on lever) :electro-magnetic
Differential lock :foot-operated
Maximum travel speed :12.5 km/h
Hydraulic pump :270 bar/36 l/mn



Tanks

Fuel :40 L
Hydraulic oil :35 L



Dimensions

Overall width :2350 mm
Overall height :2200 mm
Turning radius (rear wheel axle) :1939 mm
Turning circle (rear frame) :2768 mm
Ground clearance :360 mm
Overhang :1170 mm
Overall weight (including 1100 mm forks) :2180 kg



Design and safety

ROPS/FOPS cab and overload indicator
Stability testings under EN 1459 A regulation
Full visibility
Waterproof dashboard and electric connections
Closed frame for full protection of components
High resistance polyurethane painting
Low cost and easy maintenance



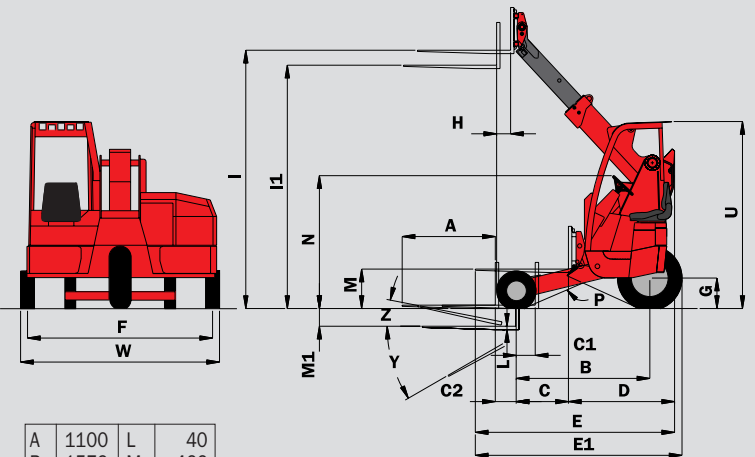
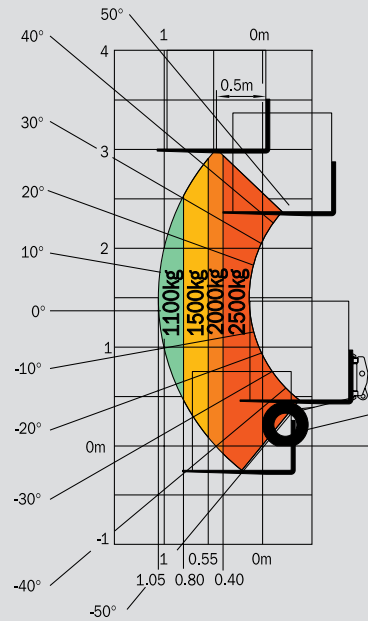
Hooking (in option)

Mounting kit with crash bar
Fitting and load study
Possible adaptation to any existing mounting kit

Options

- 1200 mm and 2000 mm forks
- Load backrest :
360 x 958 mm and 1270 x 468 mm
- Hydraulic line for attachments
- Rotating beacon and road lights
- Light on reversing shift and working lights
- Rear lights protection
- Rear view mirrors (inside and outside)
- Transparent roof guard
- Seat cover
- Warning horn on reversing shift
- Oil cooling
- Self-cleaning filter
- "big-bag" forks sleeves

This publication in no way constitutes an offer and the company reserves the right to alter specification without prior notice.
The MANITOU models presented in this brochure can be supplied complete with optional equipment attachments.
IMPORTANT : All regulations relating to vehicles apply to vehicles equipped with truck-mounted forklifts.



A	1100	L	40
B	1579	M	466
C	617	M1	209
C1	225	N	1570
C2	247	O	125
D	1254	P	48°
E	2354	R	1939
E1	2442	S	3251
F	2186	T	2803
G	360	U	2200
H	165	V	2768
I	3052	V1	2083
I1	2875	W	2350
J	1800	Y	98°
K	1270	Z	9°
K1	150		

mm

