

# TMT 315 RL

Adaptable on trailer with reduced rear overhang

- Nominal load capacity : 1500 kg
- Maximum load capacity : 2000 kg
- Integrated patented side shift
- Hydrostatic transmission
- 3 drive wheels

RETRACTABLE LEGS



**MANITOU**  
*rough terrain*



# TMT 315 RL



## Load capacity

Legs forward.....1500 kg  
 Legs retracted .....600 kg  
 at 500 mm load center



## Standard lift height.....3,05 m

Maximum front reach (in front of wheels)  
 Legs forward .....1,06 m  
 Legs retracted .....1,42 m



## Tyres

Front.....23 x 8,5 - 12 6 PR  
 Rear.....10 x 16,5 10 PR SKS  
 Number of drive wheel.....3



## Engine.....KUBOTA D 1105 E

Capacity..... 3 cyl. - 1123 cm<sup>3</sup>  
 Power.....26,5 cv/19,5 Kw  
 (ISO/ DIN 70020)



## Transmission.....Hydrostatic

Reversing shift.....Electro-magnetic  
 Diferential lock.....yes  
 Maximum travel speed.....12,5 km/h



## Hydraulic .....11,1 cm<sup>3</sup>/tr

Main pump pressure.....220 bar



## Capacities

Fuel tank .....40 l.  
 Hydraulic oil.....35 l.



## Weight unladen.....2055 kg

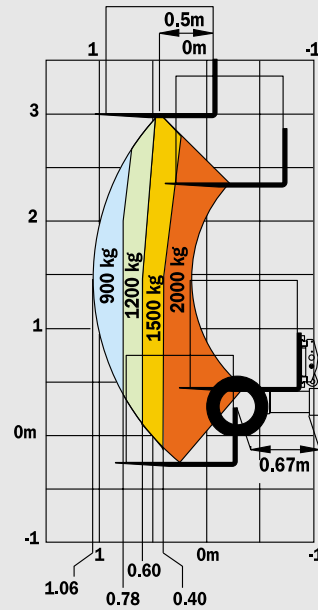
Overall length (with forks).....2442 mm

Overall width.....2311 mm

Overall height (mast lowered).....2209 mm

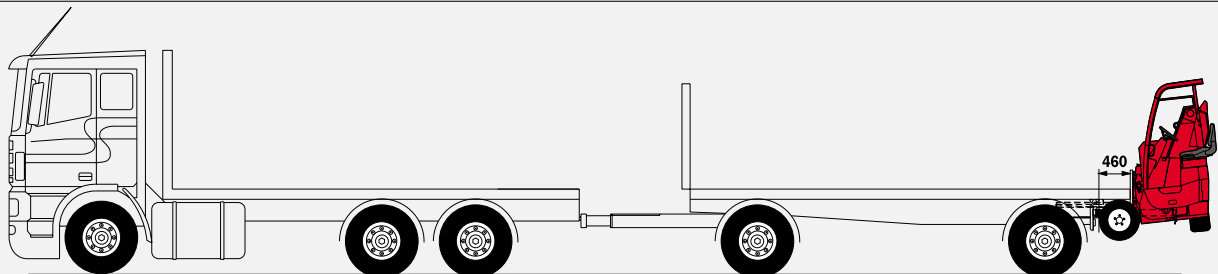
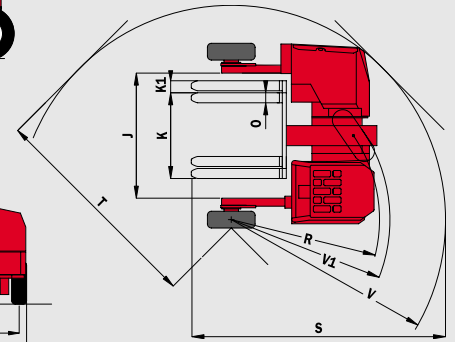
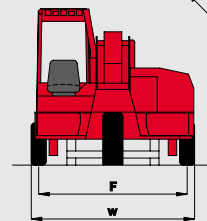
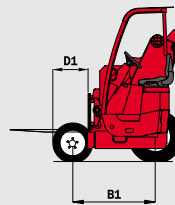
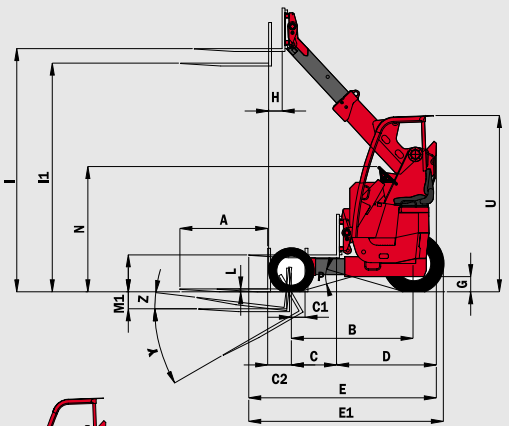
Turning radius (outside wheels).....2607 mm

Rear overhang .....1250 mm



## TMT 315 RL

A	1100
B	1525
B1	1175
C	563
C1	169
C2	300
D	1254
D1	503
E	2354
E1	2442
F	2096
G	185
H	166
I	3048
I1	2869
K	1070
K1	150
L	36
M	462
M1	213
N	1570
O	125
P	32°
R	1802
S	3144
T	2801
U	2209
V	2607
V1	1980
W	2311
Y	100°
Z	7°



This publication in no way constitutes an offer and the company reserves the right to alter specification without prior notice.  
 The MANITOU models presented in this brochure can be supplied complete with optional equipment attachments



MANITOU B.F. S.A.  
 B.P. 249 - 44158 ANCENIS CEDEX - FRANCE  
 TEL : 33 2 40 09 10 11  
 EXPORT DEPARTMENT FAX : 33 2 40 09 10 99  
 www.manitou.com