

# BUGGISCOPIC

## BTI 220/225 BT 420/425

- Lifting height : 4.00 m
- Capacity : 2000/2500 kg
- Maximum reach : 2.70 m/2.83 m
- Hydrostatic transmission



**BTI 220 - BTI 225 : 2 wheel drive  
BT 420 - BT 425 : 4 wheel drive**



**Lifting capacity**  
at 500 mm from forks heels :  
BTI 220 - BT 420 : .....2000 kg  
BTI 225 - BT 425 : .....2500 kg  
Tipping load at maximum reach :  
BTI 220 - BT 420 .....1030 kg  
BTI 225 - BT 425 .....1200 kg  
Tear out force with bucket to  
ISO 8313 .....3430 kg



**Lifting height** : .....4.00 m  
**Times** : unladen/loaded (ins) :  
Lifting : .....3.85/4.05  
Lowering : .....3.17/3.11  
Boom extension : .....3.96/3.88  
Boom retraction : .....6.55/6.83  
Time unladen (in s)  
Crowd .....3,5  
Dump .....3



**Tyres** :  
Front: BTI 220/225 .....265/70 R 19.5 XTA  
BT 420/425 .....11.5/80 15.3  
Rear : BTI 220/225 .....700 x 12 IC 40  
BT 420/425 .....28 x 9.15 IC 40



**Forks** (mm)  
Length : .....1100  
Width x thickness : .....100 X 40



**Brakes**  
Mechanical on front axle



**Perkins engine**  
Type : .....104-19  
Capacity : .....4 cyl. - 1995 cm<sup>3</sup>  
Power (DIN 6270 B) : .....39 HP (28.7 kw)  
Maximum torque : .....119 Nm at 2200 r.p.m.  
Rated speed .....2800 r.p.m.  
Water cooling



**Transmission** .....hydrostatic  
Electromagnetic reversing shift  
Maximum travel speed : .....20.5 km/h



**Hydraulics**  
Lifting/tilting pump  
gear type : .....230 bars /56.7 l/mn  
Steering pump  
gear type : .....155 bars /23.1 l/mn

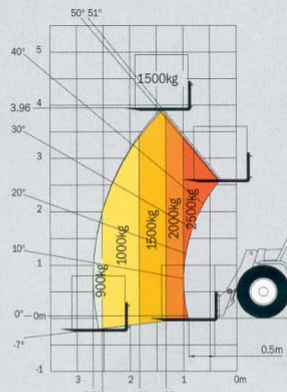


**Capacities**  
Cooling system .....8 l.  
Engine oil .....4.5 l.  
Hydraulic oil .....55 l.  
Fuel tank .....54 l.

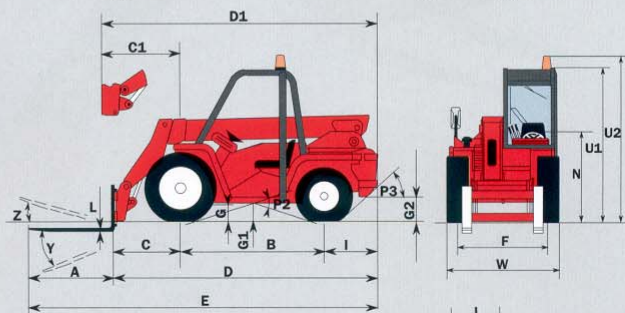
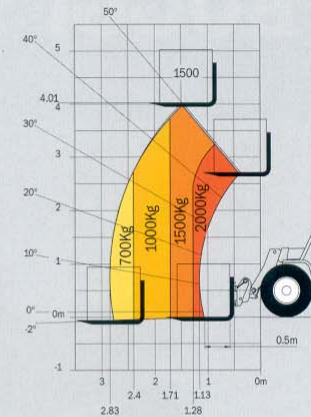


	<b>BT 420</b>	<b>BTI 220</b>
<b>Weight unladen</b> (with forks)	4610 kg	4630 kg
	4530 kg	4550 kg
<b>Overall width</b>	1.44 m	1.46 m
<b>Overall height</b>	1.94 m	1.95 m
<b>Turning radius</b> (outside wheels)	3.35 m	2.92 m
<b>Ground clearance</b>	0.24 m	0.23 m
<b>Drawbar pull</b>	2540 daN	2900 daN

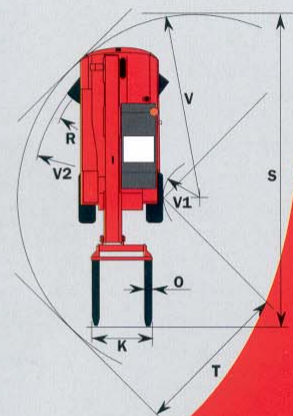
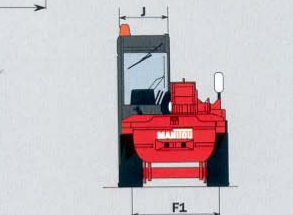
**BTI 225 - BT 425 : 2500 kg  
With integral industrial carriage**



**BTI 220 - BT 420 : 2000 kg  
With quick fitting carriage**



	BTI 220	BTI 225	BT 420	BT 425
A	1100	1100	1100	1100
B	1800	1800	1800	1800
C	1070	896	1065	896
C1	930	-	925	-
D	3540	3381	3550	3381
D1	3400	-	3410	-
E	4640	4480	4650	4480
F	1190	1190	1146	1146
F1	1112	1112	1105	1105
G	225	225	235	235
G1	225	225	235	235
G2	165	165	245	245
I	670	670	685	685
J	640	640	640	640
K	1020	1020	1020	1020
L	40	40	40	40
N	1200	1200	1180	1180
O	100	100	100	100
P2	34°	34°	34°	34°
P3	40°	40°	40°	40°
R	2735	2735	3240	3240
S	5145	4970	5690	5690
T	2540	2540	2200	2200
U1	1955	1955	1980	1980
U2	2115	2115	2140	2140
V	2975	2975	3510	3510
V1	615	615	1250	1250
V2	2915	2915	3350	3350
W	1460	1460	1436	1436
Y	107°	107°	107°	107°
Z	16°	16°	16°	16°



This publication in no way constitutes an offer and the company reserves the right to alter specification without prior notice.  
The MANITOU models presented in this brochure can be supplied complete with optional equipment attachments



293/07/2003 BI 038 Ind. C - BI 039 Ind. C



**MANITOU B.F. S.A.**  
B.P.249 - 44158 ANCENIS CEDEX - FRANCE  
TEL : 33 2 40 09 10 11  
EXPORT DEPARTMENT FAX : 33 2 40 09 10 97  
www.manitou.com