

MANISCOPIC

MT 1335
SL & SLT





- Maximum lifting height : 13 m
- Capacity : 3500 kg
- Maximum forward reach : 9.40 m
- Torque convertor
- Hydraulic stabilizers
- Frame levelling


 **MANITOU**


MT 1335 SL/SLT


 **Lifting capacity**3500 kg
at 500 mm from forks heels.
Tipping load at maximum reach :1400 kg
Tear out force with toothed digging bucket
to ISO 8313-1986 with tilting ram7000 daN


 **Lifting height** :13 m
Times : unladen/loaded (in s)
Lifting10.8/11.2
Lowering7.3/7
Simultaneous extension 1st and 2nd booms ...24.8/25.2
Simultaneous retraction 1st and 2nd booms ...12.7/12.3
Time unladen (in s)
Crowd4.3
Dump3.4


 **Tyres**
400/80 - 24 TL 156 B


 **Forks** (mm)
Length1200
Width x thickness125 X 45
Maximum distance between forks1040
Carriage rotation124°


 **Multidisc brakes - hydraulically on both axles**

 **PERKINS Engine**
Type1104C.44
Capacity 4 cylindres - 4400 cm³
Power (ISO/TR 14396) :82 HP/61.5 kw
at 2200 rpm
Maximum torque302 Nm at 1400 rpm
Direct Injection
Water Cooling

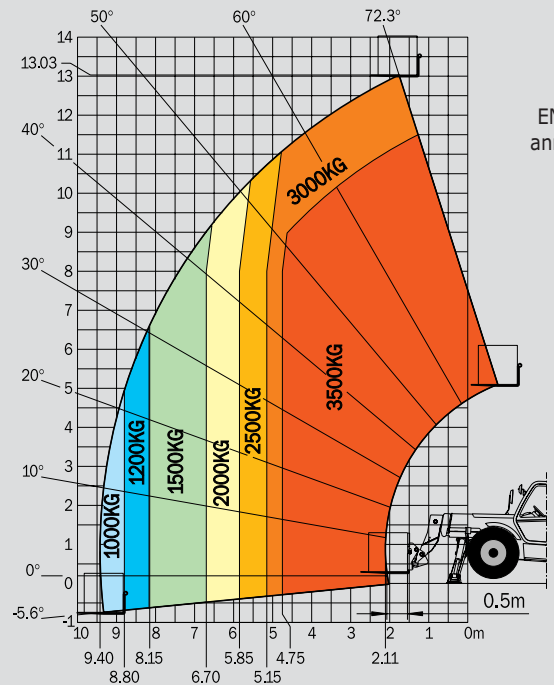
 **Transmission**Torque convertor
Electro-hydraulic reversing shift
4 speeds forward and reverse
Maximum travel speed25 km/h

 **Hydraulics**
Lifting/tilting pump
gear type260 bars/105 l/mn
Flow divider with priority to steering and brakes

 **Capacities**
Cooling system18.5 l.
Engine oil10.5 l.
Hydraulic oil126 l.
Transmission oil16 l.
Fuel tank135 l.

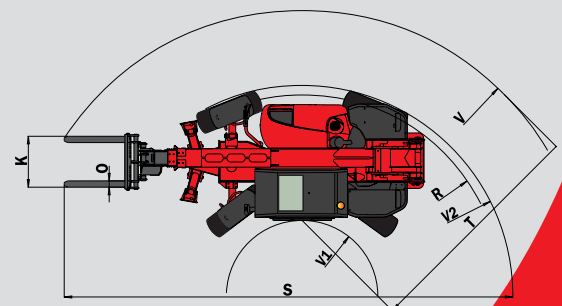
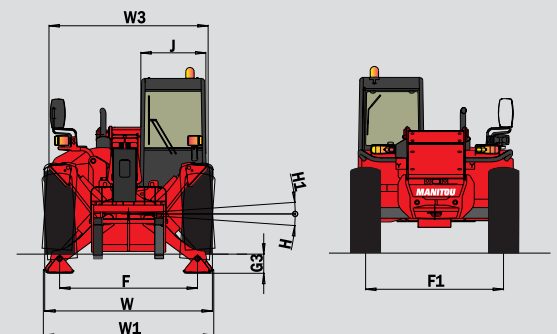
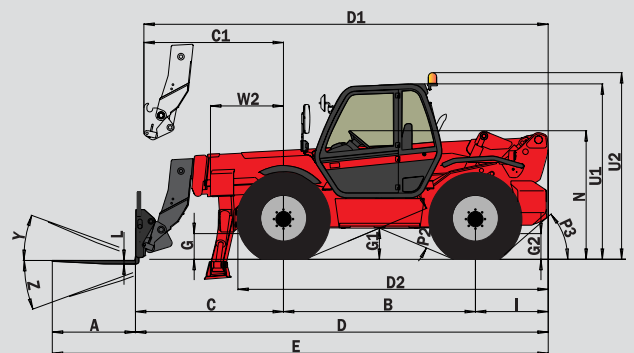
 **Weight unladen** (with forks)10125 kg
Overall width2.39 m
Overall width stabilizers extended2.32 m
Overall height2.58 m
Turning radius (outside wheels)4.15 m
Length up to carriage5.96 m
Ground clearance0.45 m
Drawbar pull7500 daN

Reach at maximum height : 1,88 m



Under
EN 1459
annexe B

A	1200
B	2770
C	2119
C1	2198
D	5939
D1	6018
D2	4405
E	7139
F1	1990
G	450
G1	445
G2	450
G3	275
H	7°
H1	7°
I	1050
J	950
K	1040
L	45
N	1850
O	125
P2	45.5°
P3	40°
R	3950
S	8862
T	4205
U1	2575
U2	2755
V	5675
V1	1450
V2	4158
W	2405
W1	2320
W2	1125
W3	2035
Y	12°
Z	112°



This publication in no way constitutes an offer and the company reserves the right to alter specification without prior notice.
The MANITOU models presented in this brochure can be supplied complete with optional equipment attachments.
PATENTS FR 93 14367 - EP 0 656 315 - US PENDING



MANITOU BF SA
B.P. 249 - 44158 Ancenis Cedex - France
Tél. : 33 2 40 09 10 11 / Export Department Fax : 33 2 40 09 10 97
www.manitou.com

700026EN

