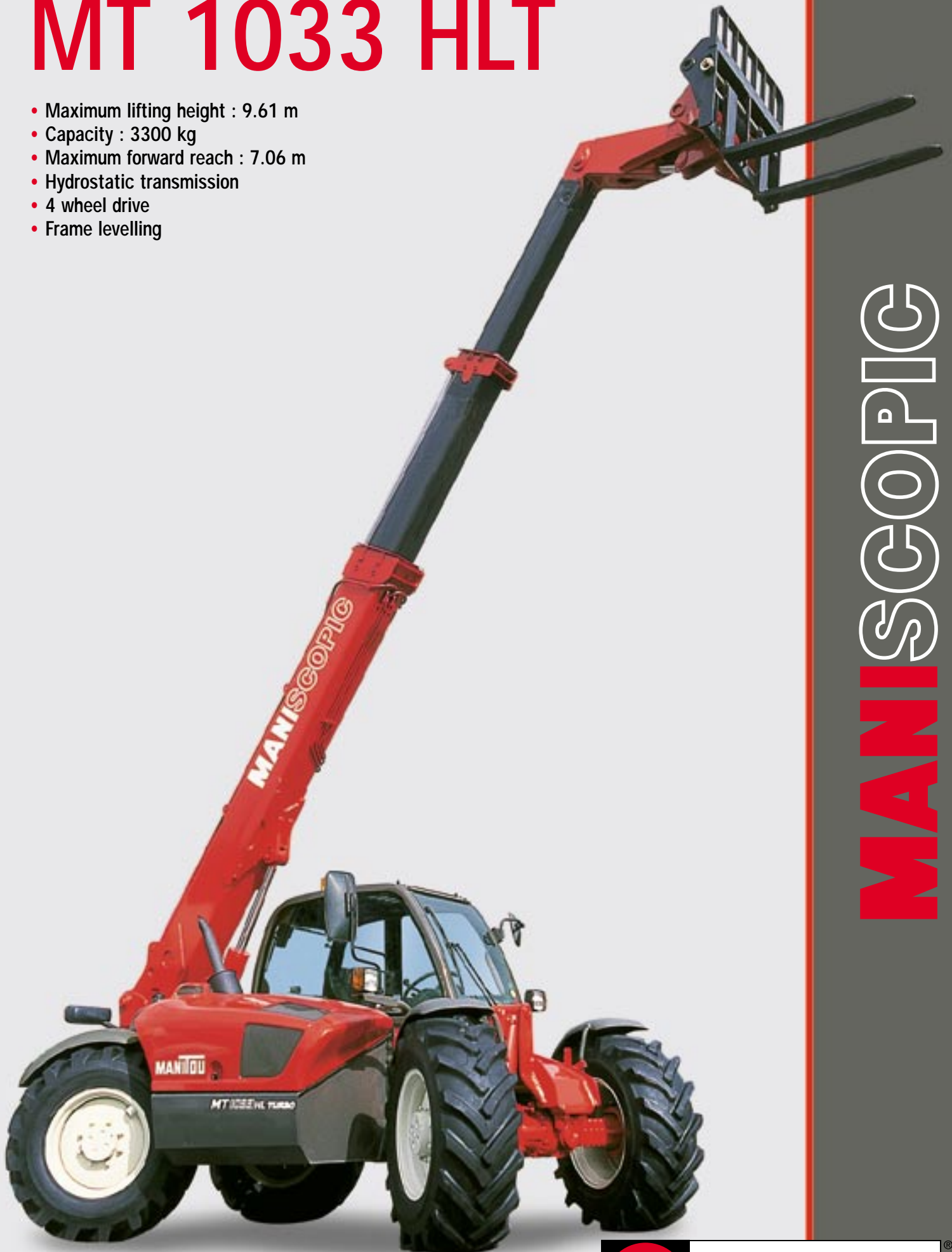


MT 1033 HLT

- Maximum lifting height : 9.61 m
- Capacity : 3300 kg
- Maximum forward reach : 7.06 m
- Hydrostatic transmission
- 4 wheel drive
- Frame levelling



MANISCOPIE



MT 1033 HLT



Lifting capacity 3300 kg
at 500 mm from forks heels.
Tipping load at maximum reach 740 kg
Tear out force with toothed digging bucket
to ISO 8313-1986 with tilting ram 6600 daN



Lifting height : 9.61 m
Times : unladen / loaded (in s)
Lifting 6.7/7.3
Lowering 5/4.7
Simultaneous extension 1st and 2nd booms 13.6/14.8
Simultaneous retraction 1st and 2nd booms 8.1/7.8
Time unladen (in s)
Crowding 3
Dumping 2.5



Tyres
14.9 - 24 18 PR T35 Dunlop



Forks (mm)
Length 1200
Width x thickness 125 X 45
Maximum distance outside forks 1040
Carriage rotation 126°



**Brakes hydraulically operated
with oil-immersed multidiscs**



PERKINS Engine
Type 1004.40 Turbo
Capacity 4 cylindres/3990 cm³
Power (ISO TR 14396) 100 HP/74.6 kw
Maximum torque (ISO TR 14396) .. 402.6 Nm at 1400 rpm
Direct Injection
Water Cooling



Transmission hydrostatic
Electro-hydraulic reversing shift
Speeds forward and reverse 4/2
Maximum travel speed 25 km/h



Hydraulics
Pump gear type 270 bars/105 l/mn
Flow divider with priority to steering

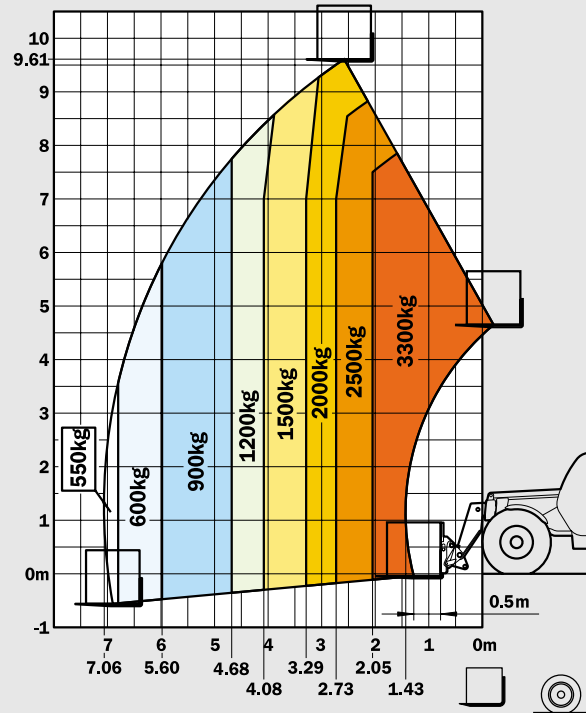


Capacities
Cooling system 26.5 l.
Engine oil 11 l.
Hydraulic oil 125 l.
Fuel tank 120 l.

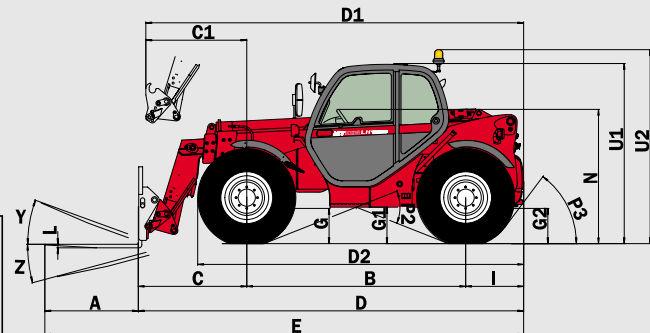


Weight unladen (with forks) 7845 kg
Overall width 2.26 m
Overall height 2.30 m
Turning radius (outside wheels) 3.89 m
Overall length 4.96 m
Ground clearance 0.44 m
Drawbar pull (loaded) 8200 daN

Reach at maximum height : 2.93 m

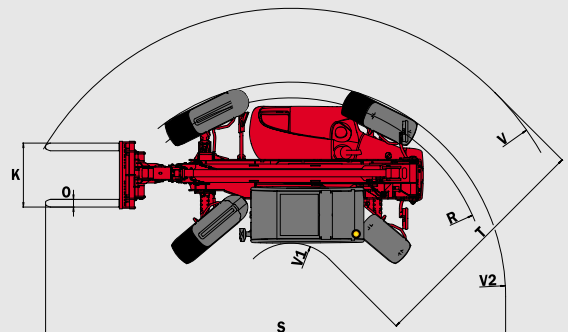
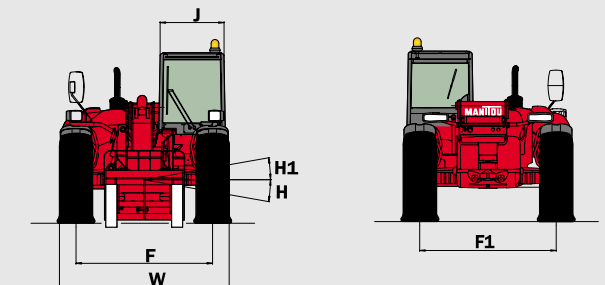


Under
EN 1459
annexe B



A	1200
B	2810
C	1393
C1	1455
D	4963
D1	5025
D2	4155
E	6163
F	1846
F1	1846
G	450
G1	430
G2	435
H	10°
H1	10°
I	760
J	865
K	1040
L	45
N	1690
O	125
P2	38°
P3	53°
R	3685
S	7900
T	3620
U1	2300
U2	2550
V	4970
V1	1325
V2	3890
W	2260
Y	11.9°
Z	113.7°

mm



IN ACCORDANCE WITH

