

# MANISCOPIC

## MT 940 L SERIE 2

- Lifting height : 8.97 m
- Capacity : 4000 kg
- Maximum forward reach : 5.32 m
- Torque convertor
- FRAME LEVELLING 10°/10°



PERKINS ENGINE 1000 SERIES CONFORMS TO EUROPEAN DIRECTIVE 97/68/EEC



## MT 940 L



**Lifting capacity** ..... 4000 kg  
at 500 mm from forks heels.  
**Tipping load**  
at maximum reach : .....1342 kg  
Tear out force with bucket to ISO 8313.....7000 daN



**Lifting height** : .....8.97 m  
**Times** : unladen / loaded (in s)  
Lifting .....12/12.5  
Lowering .....8.5/8  
Extension .....13/13  
Retraction .....7.2/6.7  
**Time unladen (in s)**  
Croud .....4.6  
Dump .....3.7



**Tyres**  
15,5/80 - 24 16PR SGI



**Forks (mm)**  
Length .....1200  
Width x thickness .....125 X 50  
Maximum distance between forks.....1040  
Carriage rotation .....142°



**Multidisc brakes - hydraulically assisted on both axles**



**PERKINS Engine**  
Type .....1004.42/1004.40 Turbo  
Capacity .....4 cyl. - 3990 cm<sup>3</sup>  
Power (ISO TR 14396) : Atmo.....81.5 HP/60 kw  
at 2.200 rpm Turbo : .....104 HP/76.5 kw  
Maximum torque : Atmo .....290 Nm at 1400 rpm  
Turbo : .....394 Nm at 1400 rpm  
Direct Injection  
Water Cooling



**Transmission** .....Torque convertor  
Electro-hydraulic reversing shift  
4 speeds forward and reverse  
Maximum travel speed.....25 km/h



**Hydraulics**  
Lifting/tilting pump  
gear type: .....250 bars/98 l/mn  
Flow divider with loadsensing device driving and braking

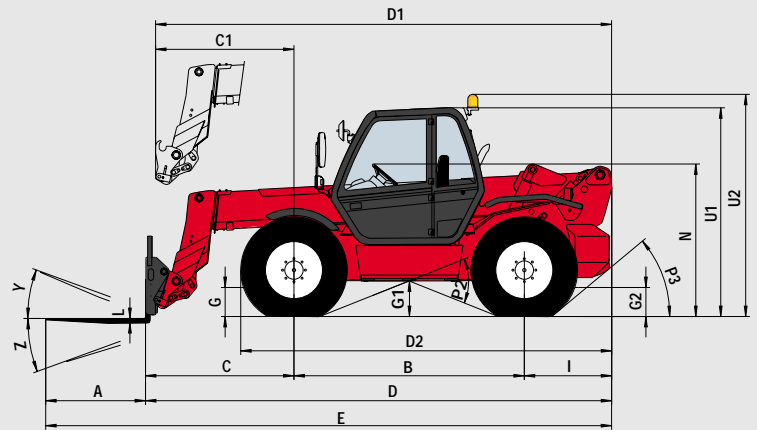
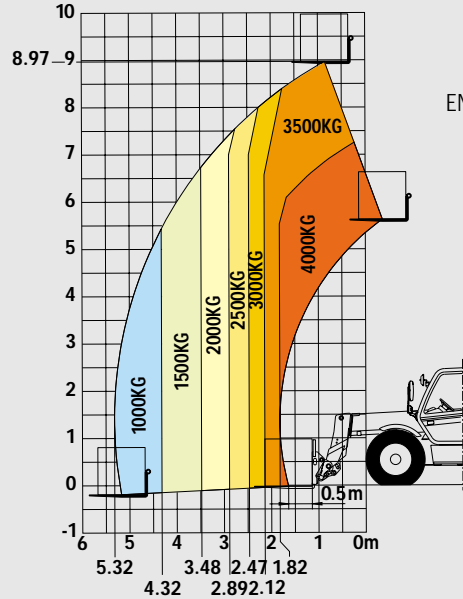


**Capacities**  
Cooling system .....26.5 l.  
Engine oil Atmo : .....10.5 l.  
Turbo : .....11.5 l.  
Hydraulic oil .....120 l.  
Transmission oil .....16 l.  
Fuel tank .....135 l.



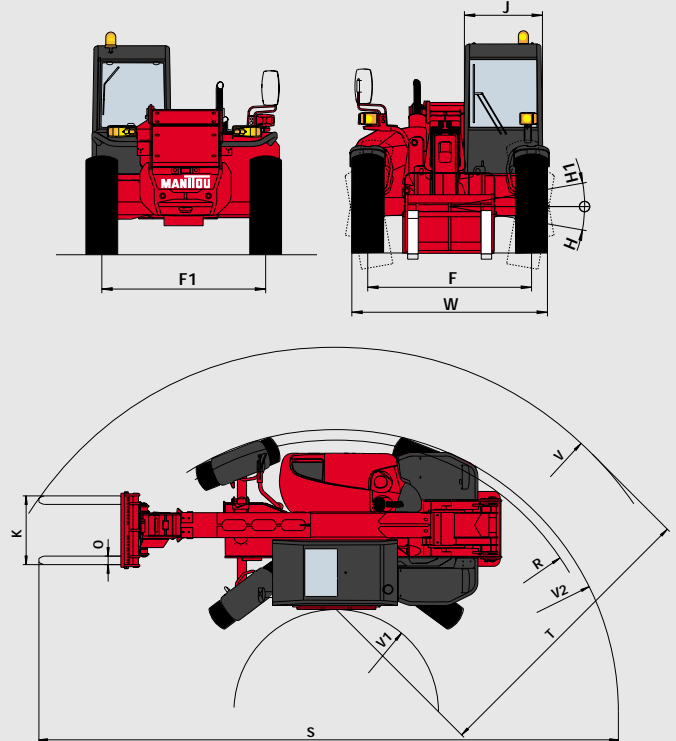
**Weight unladen (with forks)** .....8595 kg  
**Overall width** .....2.37 m  
**Overall height** .....2.58 m  
**Turning radius (outside wheels)**.....4,00 m  
**Overall length** .....5.64 m  
**Ground clearance** .....0.45 m  
**Drawbar pull** .....7500 kg (9200 kg Turbo)

## Reach at maximum height : 0,65 m



A	1200
B	2770
C	1820
C1	1665
D	5640
D1	5485
D2	4460
E	5840
F	1970
F1	1970
G	450
G1	445
G2	450
H	10°
H1	10°
I	1050
J	950
K	1040
L	50
N	1850
O	125
P2	43,5°
P3	40°
R	3640
S	8380
T	4385
U1	2575
U2	2715
V	5320
V1	1320
V2	4000
W	2370
Y	12°
Z	130°

mm



This publication in no way constitutes an offer and the company reserves the right to alter specification without prior notice.  
The MANITOU models presented in this brochure can be supplied complete with optional equipment attachments  
PATENTS : FR 93 14367 - EP 0 656315 - US PENDING

