

MANISCOPIC

MT 835 120 LS

- Lifting height : 7.54 m
- Capacity : 3500 kg
- Maximum forward reach : 4.54 m
- Torque convertor
- 4 wheel-drive
- Engine : 123 HP



PERKINS ENGINE 1000 SERIE CONFORMS TO EUROPEAN DIRECTIVE 97/68/CE



MT 835 120 LS



Lift capacity3500 kg
 at 500 mm from forks heels
 Tipping load
 at maximum reach1422 kg
 Tear out force with toothed digging bucket
 to ISO 8313 with tilting ram.....6760 kg



Lift height7.54 m
Times : unladen/loaded (in s)
 Lifting7.9/8.6
 Lowering5/4.6
 Boom extension.....7.6/7.9
 Boom retraction.....5.6/5.7
 Time unladen (in s)
 Crowd3.7
 Dump3.2



Tyres
 460/70 R24 IT520 150 A8



Forks (mm)
 Length1200
 Width x thickness125 x 45
 Maximum distance between forks.....1165
 Carriage rotation142°



Multidisc brakes hydraulically assisted on both axles



Perkins engine
 TypeTurbo 1004.40 TW
 Capacity4 cyl. 3990 cm³
 Power (ISO TR 14396)123 HP/90.5 kw
 Maximum torque434 Nm at 1500 rpm
 Direct injection
 Water cooling



TransmissionTorque convertor
 Electro - hydraulic reversing shift
 4 speeds forward and reverse
 Maximum travel speed.....25 km/h*



Hydraulic
 Pumps240 bars / 144 l/mn
 Flow divider with load sensing device driving and braking

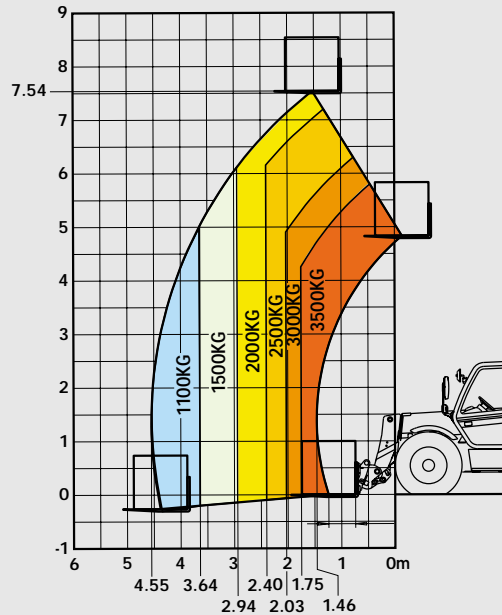


Capacities
 Cooling system.....26.5 l.
 Engine oil.....11.5 l.
 Hydraulic oil131 l.
 Transmission oil16 l.
 Fuel tank135 l.

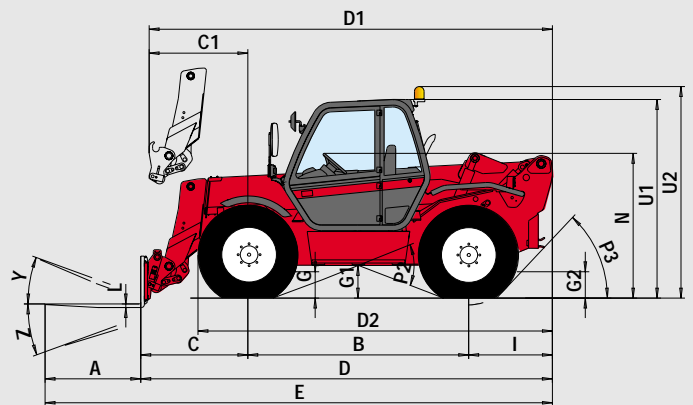


Weight unladen (with forks)8000 kg
Overall width2.41 m
Overall height2.53 m
Turning radius (outside wheels).....4.08 m
Overall length5.18 m
Ground clearance0.42 m
Drawbar pull8900 daN

Reach at maximum height : 1.46 m

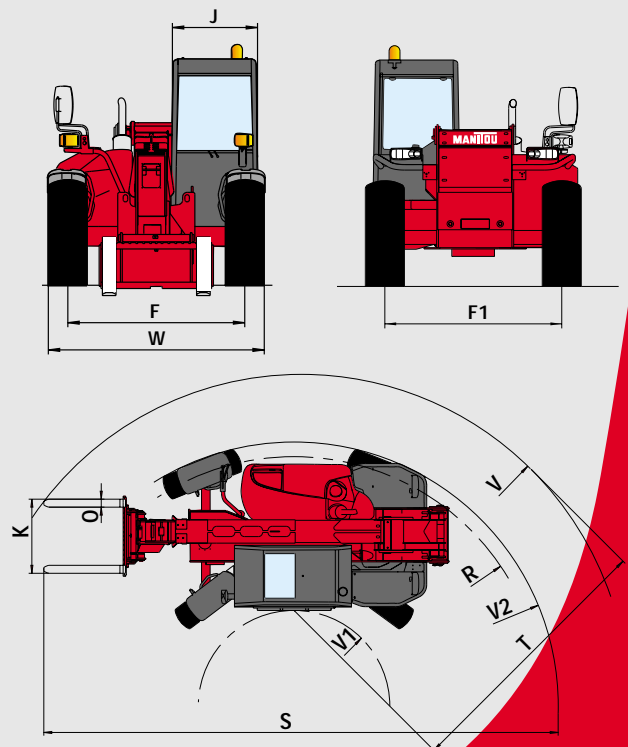


Under
 EN 1459
 annexe B



A	1200
B	2770
C	1360
C1	1250
D	5180
D1	5070
D2	4440
E	6380
F	1950
F1	1950
G	440
G1	415
G2	440
I	1050
J	950
K	1165
L	45
N	1870
O	125
P2	43.5°
P3	40°
R	3900
S	8025
T	4290
U1	2535
U2	2675
V	5298
V1	1425
V2	4080
W	2415
Y	11.86°
Z	130.11°

mm



This publication in no way constitutes an offer and the company reserves the right to alter specification without prior notice.
 The MANITOU models presented in this brochure can be supplied complete with optional equipment attachments
 PATENTS FR 93 14367 - EP 0 656 315 - US PENDING



MANITOU B.F. S.A.
 B.P249 - 44158 ANCENIS CEDEX - FRANCE
 TEL : 33 2 40 09 10 11
 EXPORT DEPARTMENT FAX : 33 2 40 09 10 97
 www.manitou.com