

# MANISCOPIC

# MLT 730

- Maximum lifting height : 6.90 m
- Capacity : 3000 kg
- Maximum forward reach : 4.16 m
- Torque convertor



# MLT 730



**Lifting capacity** .....3000 kg  
 at 500 mm from forks heels.  
**Tipping load**  
 at maximum reach : .....1352 kg  
 Tear out force with toothed digging bucket  
 to ISO 8313-1986 with tilting ram.....5650 daN



**Lifting height** : .....6.90 m  
**Times** : unladen / loaded (in s)  
 Lifting .....6.7/7.3  
 Lowering.....5/4.7  
 Boom extension.....6.3/6.8  
 Boom retraction .....3.3/3  
 Time unladen (in s)  
 Crowd.....3.7  
 Dump.....2.6



**Tyres**  
 .....GOOD YEAR 15.5/80 - 24  
 Turbo : .....MICHELIN 17,5 LR 24



**Forks (mm)**  
 Length .....1200  
 Width x thickness .....125 X 45  
 Maximum distance between forks.....1260  
 Carriage rotation .....146°



**Multidisc brakes - Hydraulically assisted on 4 wheels**



**PERKINS Engine**  
 1004.42.....4233 cm<sup>3</sup>  
 Turbo : 1004.40 T/Turbo 120 : 1004.40 TW ...3990 cm<sup>3</sup>  
 Power at 2200 rpm ..... 81,5 HP/60 kw  
 (ISO/TR 14396) Turbo ..... 104 HP/76.5 kw  
 Turbo 120 ..... 123 HP/90.5 kw  
 Maximum torque : ..... 290 Nm at 1400 r.p.m.  
 Maximum torque : Turbo .....394 Nm at 1400 r.p.m.  
 Maximum torque : Turbo 120... 434 Nm at 1500 r.p.m.  
 Direct Injection  
 Water cooling



**Transmission** .....Torque Converter  
 Electro - Hydraulic reversing shift  
 4 speeds forward and reverse  
 Maximum travel speed .....25 km/h  
 Option : Powershift box



**Hydraulics**  
 Lifting/tilting pump  
 gear type: .....250 bars - 105 l/mn  
 Flow divider with priority to device driving and braking  
 Option Load Sensing .....270 bars - 144 l/mn



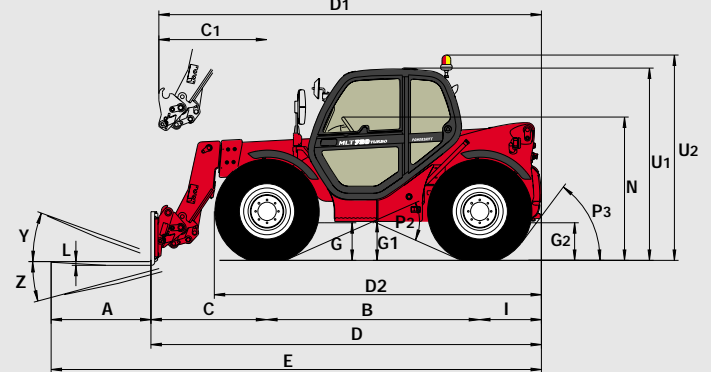
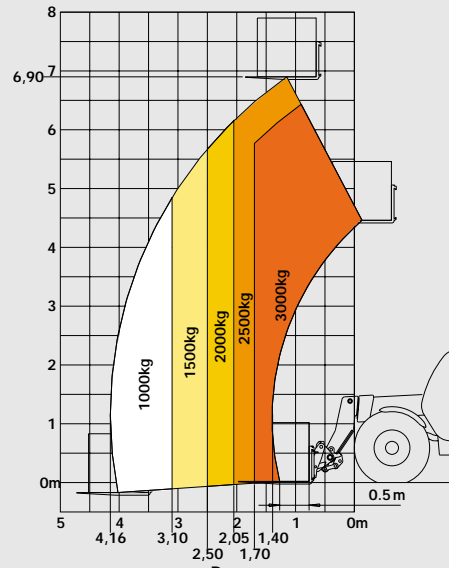
**Capacities**  
 Hydraulic oil .....125 l.  
 Fuel tank.....120 l.



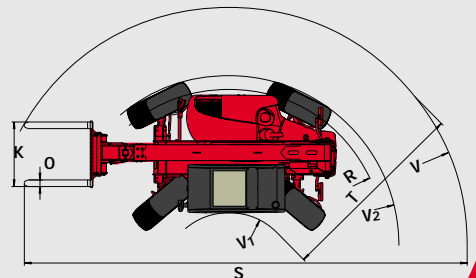
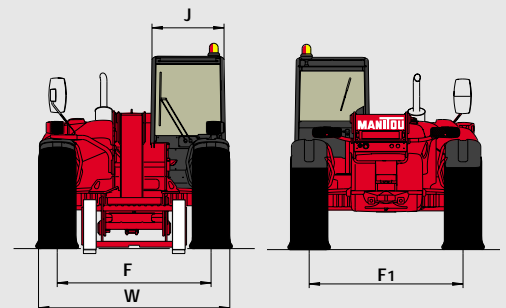
**Weight unladen (with forks)** .....7130 kg  
**Overall width** .....2.30 m  
**Overall height** .....2.30 m  
**Turning radius (outside wheels)** .....3.70 m  
**Overall length** .....4.72 m  
**Ground clearance** .....0.44 m  
**Drawbar pull** : Atmo/turbo .....8250 daN  
 Turbo LS ..... 8400 daN  
 Turbo 120 LS ..... 8600 daN

## Reach at maximum height : 1.15 m

Under  
 pr EN 1459  
 annexe B



	MLT 730	MLT 730 T
A	1200	1200
B	2560	2560
C	1392	1392
C1	1297	1297
D	4712	4712
D1	4617	4617
D2	3925	3920
E	5912	5912
F	1916	1850
F1	1916	1850
G	455	455
G1	440	440
G2	440	440
I	760	760
J	865	865
K	1260	1260
L	45	45
N	1690	1720
O	125	125
P2	47.5°	47.5°
P3	53°	53°
R	3500	3475
S	7572	7572
T	4215	4215
U1	2300	2300
U2	2550	2550
V	4825	4825
V1	1205	1205
V2	3700	3700
W	2305	2305
Y	12.3°	12.3°
Z	133.8°	133.8°



mm

This publication in no way constitutes an offer and the company reserves the right to alter specification without prior notice. The MANITOU models presented in this brochure can be supplied complete with optional equipment attachments



MANITOU B.F. S.A.  
 B.P249 - 44158 ANCENIS CEDEX - FRANCE  
 TEL : 33 2 40 09 10 11  
 EXPORT DEPARTMENT FAX : 33 2 40 09 10 97  
 www.manitou.com