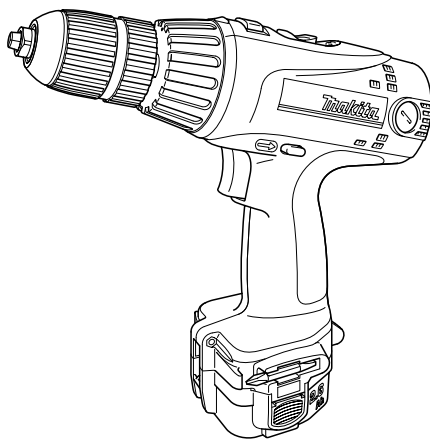
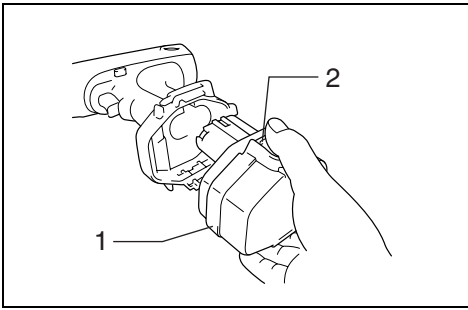


Makita®

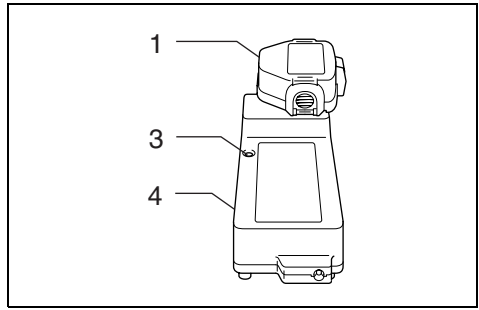
GB	Cordless Driver Drill	Instruction Manual
F	Perceuse-visseuse sans fil	Manuel d'instructions
D	Akku-Bohrschrauber	Betriebsanleitung
I	Trapano-avvitatore a batteria	Istruzioni per l'uso
NL	Snoerloze boor-schroevendraaier	Gebruiksaanwijzing
E	Taladro-atornillador a batería	Manual de instrucciones
P	Berbequim aparafusador a bateria	Manual de instruções
DK	Akku bore-skruemaskine	Brugsanvisning
S	Sladdlös bormaskin/skruvdragare	Bruksanvisning
N	Akku boreskrutrekker	Bruksanvisning
SF	Akkuporakone	Käyttöohje
GR	Βιδοτρύπανο με μπαταρία	Οδηγίες χρήσεως

6207D
6217D
6317D
6337D
6347D

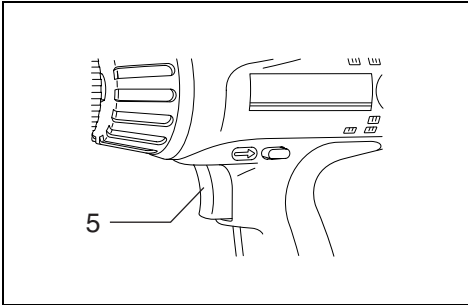




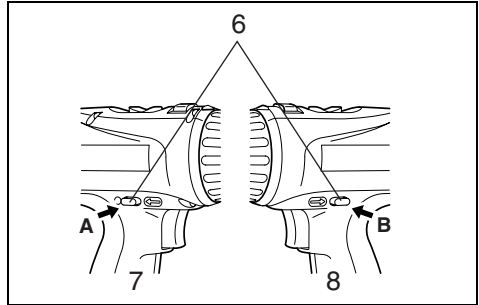
1



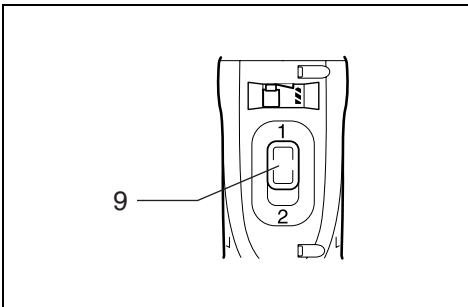
2



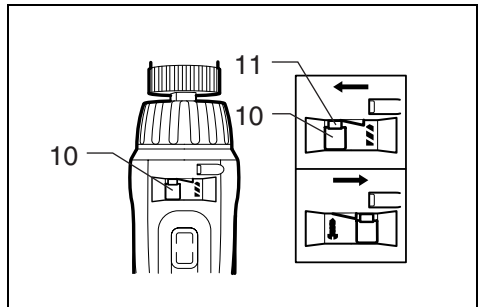
3



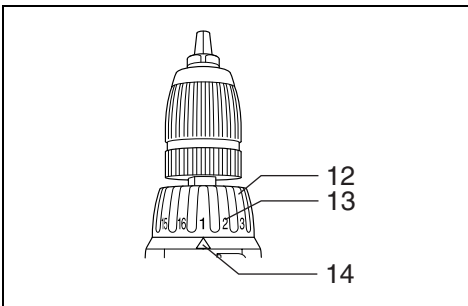
4



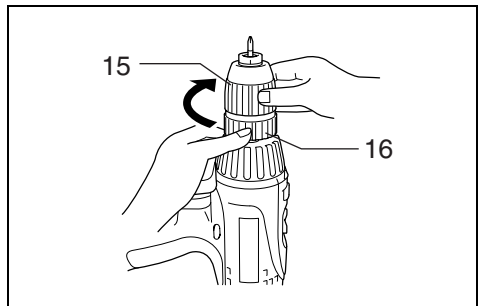
5



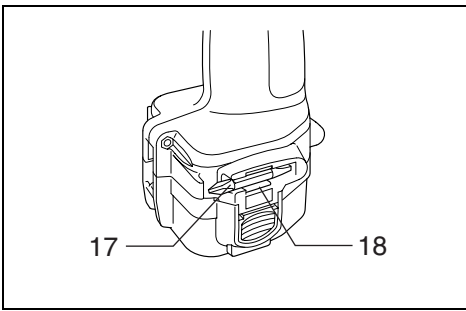
6



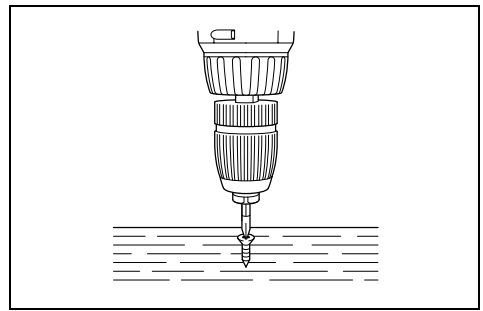
7



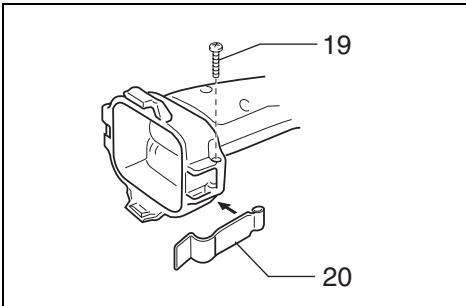
8



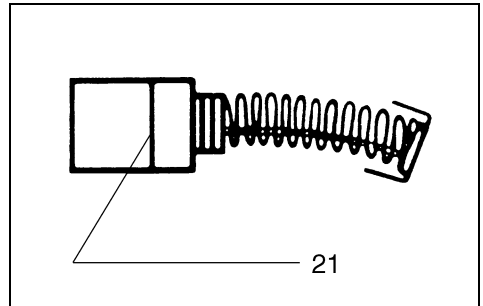
9



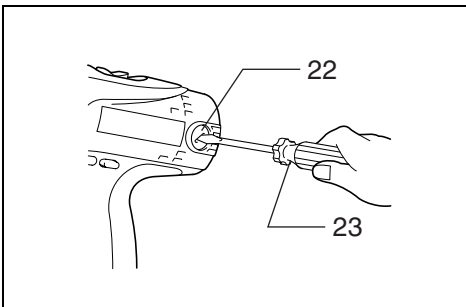
10



11



12



13

Explanation of general view

1 Battery cartridge	9 Speed change lever	17 Bit
2 Button	10 Action mode change lever	18 Bit holder
3 Charging light	11 Lock button	19 Screw
4 Battery charger	12 Adjusting ring	20 Set plate
5 Switch trigger	13 Graduations	21 Limit mark
6 Reversing switch lever	14 Pointer	22 Brush holder cap
7 Clockwise	15 Sleeve	23 Screwdriver
8 Counterclockwise	16 Ring	

SPECIFICATIONS

Model	6207D	6217D	6317D	6337D	6347D
Capacities					
Steel	10 mm	10 mm	13 mm	13 mm	13 mm
Wood	25.4 mm	25.4 mm	25.4 mm	32 mm	38 mm
Wood screw	6 x 75 mm	6 x 75 mm	6 x 75 mm	6 x 75 mm	10 x 89 mm
Machine screw	13 mm	13 mm	13 mm	13 mm	13 mm
No load speed (min⁻¹)					
High	0 – 1,300	0 – 1,300	0 – 1,300	0 – 1,300	0 – 1,300
Low	0 – 400	0 – 400	0 – 400	0 – 400	0 – 400
Overall length	233 mm	233 mm	243 mm	243 mm	243 mm
Net weight	1.7 kg	1.9 kg	2.0 kg	2.1 kg	2.4 kg
Rated voltage	D.C.9.6 V	D.C.12 V	D.C.12 V	D.C.14.4 V	D.C.18 V

- Due to our continuing program of research and development, the specifications herein are subject to change without notice.
- Note: Specifications may differ from country to country.

Intended use

The tool is used for drilling and screw driving in wood, metal and plastic.

Safety hints

For your own safety, please refer to the enclosed safety instructions.

IMPORTANT SAFETY INSTRUCTIONS FOR CHARGER & BATTERY CARTRIDGE

ENC001-3

1. **SAVE THESE INSTRUCTIONS-** This manual contains important safety and operating instructions for battery charger.
2. Before using battery charger, read all instructions and cautionary markings on (1) battery charger, (2) battery, and (3) product using battery.
3. **CAUTION -** To reduce risk of injury, charge only MAKITA type rechargeable batteries. Other types of batteries may burst causing personal injury and damage.
4. Do not expose charger to rain or snow.
5. Use of an attachment not recommended or sold by the battery charger manufacturer may result in a risk of fire, electric shock, or injury to persons.
6. To reduce risk of damage to electric plug and cord, pull by plug rather than cord when disconnecting charger.
7. Make sure cord is located so that it will not be stepped on, tripped over, or otherwise subjected to damage or stress.
8. Do not operate charger with damaged cord or plug - replace them immediately.

9. **Do not operate charger if it has received a sharp blow, been dropped, or otherwise damaged in any way; take it to a qualified serviceman.**
10. **Do not disassemble charger or battery cartridge; take it to a qualified serviceman when service or repair is required. Incorrect reassembly may result in a risk of electric shock or fire.**
11. **To reduce risk of electric shock, unplug charger from outlet before attempting any maintenance or cleaning. Turning off controls will not reduce this risk.**
12. **The battery charger is not intended for use by young children or infirm persons without supervision.**
13. **Young children should be supervised to ensure that they do not play with the battery charger.**
14. **If operating time has become excessively shorter, stop operating immediately. It may result in a risk of overheating, possible burns and even an explosion.**
15. **If electrolyte gets into your eyes, rinse them out with clear water and seek medical attention right away. It may result in loss of your eyesight.**

ADDITIONAL SAFETY RULES FOR CHARGER & BATTERY CARTRIDGE

1. Do not charge battery cartridge when temperature is **BELOW 10°C (50°F)** or **ABOVE 40°C (104°F)**.
2. Do not attempt to use a step-up transformer, an engine generator or DC power receptacle.
3. Do not allow anything to cover or clog the charger vents.
4. Always cover the battery terminals with the battery cover when the battery cartridge is not used.

5. **Do not short the battery cartridge:**
 - (1) **Do not touch the terminals with any conductive material.**
 - (2) **Avoid storing battery cartridge in a container with other metal objects such as nails, coins, etc.**
 - (3) **Do not expose battery cartridge to water or rain.**

A battery short can cause a large current flow, overheating, possible burns and even a breakdown.
6. **Do not store the tool and battery cartridge in locations where the temperature may reach or exceed 50°C (122°F).**
7. **Do not incinerate the battery cartridge even if it is severely damaged or is completely worn out. The battery cartridge can explode in a fire.**
8. **Be careful not to drop, shake or strike battery.**
9. **Do not charge inside a box or container of any kind. The battery must be placed in a well ventilated area during charging.**

ADDITIONAL SAFETY RULES FOR TOOL

ENB022-1

1. **Be aware that this tool is always in an operating condition, because it does not have to be plugged into an electrical outlet.**
2. **Hold tool by insulated gripping surfaces when performing an operation where the cutting tool may contact hidden wiring. Contact with a "live" wire will also make exposed metal parts of the tool "live" and shock the operator.**
3. **Always be sure you have a firm footing.**
4. **Be sure no one is below when using the tool in high locations.**
5. **Hold the tool firmly.**
6. **Keep hands away from rotating parts.**
7. **Do not leave the tool running. Operate the tool only when hand-held.**
8. **Do not touch the drill bit or the workpiece immediately after operation; they may be extremely hot and could burn your skin.**

SAVE THESE INSTRUCTIONS.

OPERATING INSTRUCTIONS

Installing or removing battery cartridge (Fig. 1)

- Always switch off the tool before insertion or removal of the battery cartridge.
- To remove the battery cartridge, withdraw it from the tool while pressing the buttons on both sides of the cartridge.
- To insert the battery cartridge, align the tongue on the battery cartridge with the groove in the housing and slip it into place. Always insert it all the way until it locks in place with a little click. If not, it may accidentally fall out of the tool, causing injury to you or someone around you.
- Do not use force when inserting the battery cartridge. If the cartridge does not slide in easily, it is not being inserted correctly.

Charging (Fig. 2)

1. Plug the battery charger into the proper AC voltage source. The charging light will flash in green color.
2. Insert the battery cartridge so that the plus and minus terminals on the battery cartridge are on the same sides as their respective markings on the high capacity battery charger. Insert the cartridge fully into the port so that it rests on the charger port floor.
3. When the battery cartridge is inserted, the charging light color will change from green to red and charging will begin. The charging light will remain lit steadily during charging.
4. When the charging light color changes from red to green, the charging cycle is complete.
5. If you leave the battery cartridge in the charger after the charging cycle is complete, the charger will switch into its "trickle charge (maintenance charge)" mode which will last approximately 24 hours.
6. After charging, unplug the charger from the power source.

NOTE:

- The battery charger is for charging Makita battery cartridge. Never use it for other purposes or for other manufacturer's batteries.
- When you charge a new battery cartridge or a battery cartridge which has not been used for a long period of time, it may not accept a full charge. This is a normal condition and does not indicate a problem. You can recharge the battery cartridge fully after discharging it completely and recharging a couple of times.
- If you charge a battery cartridge from a just operated tool or a battery cartridge which has been left in a location exposed to direct sunlight or heat for a long time, the charging light may flash in red color. If this occurs, wait for a while. Charging will begin after the battery cartridge cools. The battery cartridge will cool faster if you remove the battery cartridge from the high capacity battery charger.
- If the charging light flashes alternately in green and red color, a problem exists and charging is not possible. The terminals on the charger or battery cartridge are clogged with dust or the battery cartridge is worn out or damaged.

Trickle charge (Maintenance charge)

If you leave the battery cartridge in the charger to prevent spontaneous discharging after full charge, the charger will switch into its "trickle charge (maintenance charge)" mode and keep the battery cartridge fresh and fully charged.

Tips for maintaining maximum battery life

1. Charge the battery cartridge before completely discharged.
Always stop tool operation and charge the battery cartridge when you notice less tool power.
2. Never recharge a fully charged battery cartridge. Overcharging shortens the battery service life.
3. Charge the battery cartridge with room temperature at 10°C – 40°C (50°F – 104°F). Let a hot battery cartridge cool down before charging it.
4. Charge the Nickel Metal Hydride battery cartridge when you do not use it for more than six months.

Refer to the table below for the charging time.

Battery type	Capacity (mAh)	Number of cells	Charging time (Approx.)
9122	2000	8	45 min.
9133	2200	8	50 min.
9134	2600	8	60 min.
9135	3000	8	70 min.
1222	2000	10	45 min.
1233	2200	10	50 min.
1234	2600	10	60 min.
1235	3000	10	70 min.
1422	2000	12	45 min.
1433	2200	12	50 min.
1434	2600	12	60 min.
1435	3000	12	70 min.
1822	2000	15	45 min.
1833	2200	15	50 min.
1834	2600	15	60 min.
1835	3000	15	70 min.

Switch action (Fig. 3)

CAUTION:

Before inserting the battery cartridge into the tool, always check to see that the switch trigger actuates properly and returns to the "OFF" position when released.

To start the tool, simply pull the switch trigger. Tool speed is increased by increasing pressure on the switch trigger. Release the switch trigger to stop.

Reversing switch action (Fig. 4)

This tool has a reversing switch to change the direction of rotation. Depress the reversing switch lever from the A side for clockwise rotation or from the B side for counter-clockwise rotation.

When the reversing switch lever is in the neutral position, the switch trigger cannot be pulled.

CAUTION:

- Always check the direction of rotation before operation.
- Use the reversing switch only after the tool comes to a complete stop. Changing the direction of rotation before the tool stops may damage the tool.
- When not operating the tool, always set the reversing switch lever to the neutral position.


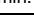
Speed change (Fig. 5)

To change the speed, first switch off the tool and then slide the speed change lever to the "2" side for high speed or "1" side for low speed. Be sure that the speed change lever is set to the correct position before operation. Use the right speed for your job.

CAUTION:

- Always set the speed change lever fully to the correct position. If you operate the tool with the speed change lever positioned halfway between the "1" side and "2" side, the tool may be damaged.
- Do not use the speed change lever while the tool is running. The tool may be damaged.

Selecting action mode (Fig. 6)

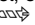
This tool has an action mode change lever. For drilling, depress the lock button and then slide the action mode change lever to the left ( symbol). For screwing, slide the action mode change lever to the right ( symbol) until it is locked. If it is hard to turn the lever, first turn the chuck slightly in either direction and then turn the lever again.

CAUTION:

- Always slide the action mode change lever all the way to your desired mode position. If you operate the tool with the lever positioned halfway between the mode symbols, the tool may be damaged.
- Do not use the action mode change lever while the tool is running. The tool may be damaged.

Adjusting the fastening torque (Fig. 7)

The fastening torque can be adjusted in 16 steps by turning the adjusting ring so that its graduations are aligned with the pointer on the tool body.

First, slide the action mode change lever to the position of  symbol.

The fastening torque is minimum when the number 1 is aligned with the pointer, and maximum when the marking is aligned with the pointer. The clutch will slip at various torque levels when set at the number 1 to 16. Before actual operation, drive a trial screw into your material or a piece of duplicate material to determine which torque level is required for a particular application.

CAUTION:

- The adjusting ring does not lock when the pointer is positioned only halfway between the graduations.

ASSEMBLY

CAUTION:

Always be sure that the tool is switched off and the battery cartridge is removed before carrying out any work on the tool.

Installing or removing driver bit or drill bit (Fig. 8)


Hold the ring and turn the sleeve counterclockwise to open the chuck jaws. Place the bit in the chuck as far as it will go. Hold the ring firmly and turn the sleeve clockwise to tighten the chuck.

To remove the bit, hold the ring and turn the sleeve counterclockwise.

When not using the driver bit, keep it in the bit holders. Bits 45 mm long can be kept there. (Fig. 9)

OPERATION

Screwdriving operation (Fig. 10)

First slide the action mode change lever to the position of  symbol and select the fastening torque.

Place the point of the driver bit in the screw head and apply pressure to the tool. Start the tool slowly and then increase the speed gradually. Release the switch trigger as soon as the clutch cuts in.

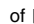
CAUTION:

- Make sure that the driver bit is inserted straight in the screw head, or the screw and/or bit may be damaged.
- When driving wood screws, predrill pilot holes to make driving easier and to prevent splitting of the workpiece. See the chart.

Nominal diameter of wood screw (mm)	Recommended size of pilot hole (mm)
3.1	2.0 – 2.2
3.5	2.2 – 2.5
3.8	2.5 – 2.8
4.5	2.9 – 3.2
4.8	3.1 – 3.4
5.1	3.3 – 3.6
5.5	3.7 – 3.9
5.8	4.0 – 4.2
6.1	4.2 – 4.4

- If the tool is operated continuously until the battery cartridge has discharged, allow the tool to rest for 15 minutes before proceeding with a fresh battery.

Drilling operation

First, slide the action mode change lever to the position of  symbol.

- Drilling in wood
When drilling in wood, the best results are obtained with wood drills equipped with a guide screw. The guide screw makes drilling easier by pulling the bit into the workpiece.
- Drilling in metal
To prevent the bit from slipping when starting a hole, make an indentation with a center-punch and hammer at the point to be drilled. Place the point of the bit in the indentation and start drilling. Use a cutting lubricant when drilling metals. The exceptions are iron and brass which should be drilled dry.

CAUTION:

- Pressing excessively on the tool will not speed up the drilling. In fact, this excessive pressure will only serve to damage the tip of your bit, decrease the tool performance and shorten the service life of the tool.
- There is a tremendous force exerted on the tool/bit at the time of hole break through. Hold the tool firmly and exert care when the bit begins to break through the workpiece.
- A stuck bit can be removed simply by setting the reversing switch to reverse rotation in order to back out. However, the tool may back out abruptly if you do not hold it firmly.
- Always secure small workpieces in a vise or similar hold-down device.
- If the tool is operated continuously until the battery cartridge has discharged, allow the tool to rest for 15 minutes before proceeding with a fresh battery.

Installing set plate (optional accessory)

Always install the set plate when using battery cartridges 9100, 9102, 9102A for 6207D or 1200, 1202, 1202A for 6217D/6317D. Install the set plate on the tool with the screw provided. (Fig. 11)

MAINTENANCE

CAUTION:

Always be sure that the tool is switched off and the battery cartridge is removed before attempting to perform inspection or maintenance.

Replacing carbon brushes

Remove and check the carbon brushes regularly. Replace when they wear down to the limit mark. Keep the carbon brushes clean and free to slip in the holders. Both carbon brushes should be replaced at the same time. Use only identical carbon brushes. (Fig. 12)

Use a screwdriver to remove the brush holder caps. Take out the worn carbon brushes, insert the new ones and secure the brush holder caps. (Fig. 13)

To maintain product SAFETY and RELIABILITY, repairs, any other maintenance or adjustment should be performed by Makita Authorized or Factory Service Centres, always using Makita replacement parts.

Descriptif

1 Batterie	9 Levier de changement de vitesse	16 Bague
2 Bouton	10 Levier de changement de mode	17 Foret
3 Témoin de charge	11 Bouton de verrouillage	18 Porte-foret
4 Chargeur	12 Bague de réglage	19 Vis
5 Gâchette	13 Graduations	20 Plaque de fixation
6 Inverseur Manchon	14 Pointeur	21 Repère d'usure
7 Vers la droite	15 Manchon	22 Bouchon du porte-charbon
8 Vers la gauche		23 Tournevis

SPECIFICATIONS

Modèle	6207D	6217D	6317D	6337D	6347D
Capacités					
Acier	10 mm	10 mm	13 mm	13 mm	13 mm
Bois	25,4 mm	25,4 mm	25,4mm	32 mm	38 mm
Vis en bois	6 x 75 mm	6 x 75 mm	6 x 75 mm	6 x 75 mm	10 x 89 mm
Vis à métaux	13 mm	13 mm	13 mm	13 mm	13 mm
Vitesse à vide (min⁻¹)					
Grande vitesse	0 – 1,300	0 – 1,300	0 – 1,300	0 – 1,300	0 – 1,300
Vitesse réduite	0 – 400	0 – 400	0 – 400	0 – 400	0 – 400
Longueur totale	233 mm	233 mm	243 mm	243 mm	243 mm
Poids net	1,7 kg	1,9 kg	2,0 kg	2,1 kg	2,4 kg
Tension nominale	9,6 VCC	12 VCC	12 VCC	14,4 VCC	18 VCC

- Etant donné l'évolution constante de notre programme de recherche et de développement, les spécifications contenues dans ce manuel sont sujettes à modification sans préavis.
- Note : Les spécifications peuvent varier suivant les pays.

Utilisations

L'outil est utilisé pour le perçage et le vissage dans le bois, le métal et le plastique.

Consignes de sécurité

Pour votre propre sécurité, reportez-vous aux consignes de sécurité qui accompagnent l'outil.

PRECAUTIONS TRES IMPORTANTES POUR LE CHARGEUR ET LA BATTERIE

1. **SUIVEZ CES INSTRUCTIONS** — Ce manuel contient d'importantes instructions relatives à la sécurité et au fonctionnement du chargeur.
2. **Avant de vous servir du chargeur, lisez toutes les instructions et précautions relatives (1) au chargeur, (2) à la batterie, et (3) à l'outil utilisant la batterie.**
3. **ATTENTION** — Pour éliminer tout risque, ne chargez que des batteries rechargeables MAKITA. Tout autre type d'accumulateur peut éclater, causant dommages ou blessures.
4. **N'exposez pas le chargeur à la pluie ou à la neige.**
5. **L'utilisation d'un accessoire ni agréé ni vendu par le fabricant du chargeur peut entraîner un risque d'incendie, de décharge électrique ou de blessure.**
6. **Pour ne pas risquer d'endommager le câble ou la prise, débranchez en tenant la prise plutôt que le câble.**
7. **Assurez-vous que la position du câble ne l'expose pas à faire trébucher, à être piétiné, ou à forcer de quelque manière que ce soit.**

8. **N'utilisez pas le chargeur si le câble ou la prise sont en mauvais état — en ce cas, changez ceux-ci immédiatement.**
9. **N'utilisez pas le chargeur après qu'il ait reçu un choc, soit tombé à terre ou se trouve endommagé en quelque façon ; portez-le d'abord chez un réparateur qualifié.**
10. **Ne démontez pas le chargeur ou la batterie ; portez-les chez un réparateur qualifié quand une réparation devient nécessaire. Un remontage maladroït peut entraîner une décharge électrique ou un incendie.**
11. **Afin de réduire les risques de décharge, débranchez le chargeur avant tout entretien ou nettoyage.**
12. **La batterie ne doit pas être utilisée sans surveillance par des enfants ou des personnes handicapées.**
13. **Les jeunes enfants devraient être surveillés pour s'assurer qu'ils ne jouent pas avec la batterie.**
14. **Si la durée de fonctionnement devient excessivement courte, cessez immédiatement l'utilisation. Il pourrait en résulter un risque de surchauffe, une possibilité de blessures, voire une explosion.**
15. **Si l'électrolyte atteint vos yeux, rincez-les à l'eau claire et consultez immédiatement un médecin. Il pourrait en résulter la perte de la vue.**

PRECAUTIONS SUPPLEMENTAIRES POUR LE CHARGEUR ET LA BATTERIE

1. **Ne chargez pas la batterie quand la température ambiante est inférieure à 10°C ou supérieure à 40°C.**
2. **Ne pas alimenter le chargeur**
 - via un transformateur
 - via un redresseur
 - par un groupe électrogène.

3. Ne laissez rien recouvrir ou obturer les ouvertures du chargeur.
4. Lorsque vous ne vous servez pas de votre batterie, protégez-en toujours les bornes avec le couvercle-batterie.
5. Ne court-circuitez pas la batterie :
 - (1) Ne touchez pas les bornes avec un matériau conducteur.
 - (2) Évitez de ranger la batterie dans un conteneur renfermant d'autres objets métalliques, par exemple des clous, des pièces de monnaie, etc.
 - (3) N'exposez pas la batterie à l'eau ou à la pluie. Un court-circuit de la batterie pourrait provoquer un fort courant, une surchauffe, parfois des blessures et même une panne.
6. Ne rangez pas votre outil ou votre batterie dans des endroits où la température risque de dépasser 50°C.
7. Ne brûlez pas batterie même si elle est sévèrement endommagée ou complètement hors d'usage, car elle risque d'exploser au feu.
8. Veillez à ne pas faire tomber, secouer ni heurter la batterie.
9. N'effectuez pas la recharge à l'intérieur d'une boîte ou d'un conteneur de quelque sorte que ce soit. La batterie devra se trouver dans un endroit bien ventilé pendant la recharge.

Protection de l'environnement (Pour la Suisse uniquement)

Afin de préserver l'environnement, rapportez la batterie usagée aux postes de ramassage officiel.



PRECAUTIONS SUPPLEMENTAIRES POUR L'OUTIL

1. Ayez bien conscience que l'outil est constamment en état de marche, car il n'a pas à être raccordé au secteur.
2. Tenez l'outil par les surfaces de saisie isolées dans les situations où la partie tranchante peut entrer en contact avec des fils électriques cachés. Le contact avec un fil sous tension mettra également les parties métalliques exposées de l'outil sous tension et causera une décharge électrique à l'utilisateur.
3. Veillez toujours à avoir une bonne assise.
4. Veillez à ce qu'il n'y ait personne en-dessous quand vous utilisez l'outil dans des endroits élevés.
5. Tenez votre outil fermement.
6. N'approchez pas les mains des pièces en mouvement.
7. Ne vous éloignez pas de l'outil pendant qu'il fonctionne. Ne faites marcher l'outil que lorsque vous le tenez en main.
8. Ne touchez pas le foret ni la pièce tout de suite après la coupe, car ils seraient extrêmement chauds et pourraient vous brûler.

CONSERVEZ CES INSTRUCTIONS.

MODE D'EMPLOI

Installation et retrait de la batterie (Fig. 1)

- Débranchez toujours l'outil avant d'installer ou de retirer la batterie.
- Pour enlever la batterie, sortez-la de l'outil en appuyant sur les boutons placés de chaque côté de la batterie.
- Pour insérer la batterie, alignez la languette de la batterie sur la rainure du logement, et glissez la batterie jusqu'à ce qu'elle se verrouille dans un dé clic. Sinon, la batterie risque de tomber accidentellement, ce qui pourrait vous blesser, vous ou d'autres personnes alentours.
- Ne forcez jamais quand vous introduisez la batterie. Si la batterie ne rentre pas aisément, c'est que vous ne l'insérez pas correctement.

Recharge (Fig. 2)

1. Branchez le chargeur dans une prise secteur de tension appropriée. Le témoin de charge s'allumera en vert.
2. Introduisez la batterie de façon que les bornes positive et négative soient du même côté que leurs indications respectives sur le chargeur. Insérez la batterie à fond dans l'orifice du chargeur de façon qu'elle repose bien à plat au fond de l'orifice.
3. Lorsque la batterie est insérée, la couleur du témoin de charge passe du rouge au vert et la recharge commence. Le témoin de charge demeure allumé tout au long de la charge.
4. Quand le témoin de charge passe du rouge au vert, le cycle de recharge est terminé.
5. Si vous laissez la batterie dans le chargeur lorsque le cycle de recharge est terminé, le chargeur passe en mode de "charge de compensation (charge d'entretien)", qui dure environ 24 heures.
6. Après la recharge, débranchez le chargeur de la prise d'alimentation.

ATTENTION :

- Le chargeur est conçu pour la recharge des batteries Makita. Ne l'utilisez jamais à d'autres fins ni pour des batteries d'autres marques.
- Quand vous chargez une batterie neuve ou une batterie qui n'a pas été utilisée pendant longtemps, il se peut qu'elle ne se recharge pas complètement. Ceci est normal. Vous pourrez recharger la batterie complètement après l'avoir déchargée puis rechargée deux ou trois fois de suite.
- Si vous rechargez la batterie d'un outil qui vient juste de fonctionner, ou une batterie qui est restée en plein soleil ou à la chaleur pendant longtemps, il se peut que le témoin de charge clignote en rouge. Dans ce cas, attendez quelques instants. La recharge commencera lorsque la batterie aura refroidi. La batterie refroidira plus rapidement si vous la retirez du chargeur.
- Si le témoin de charge clignote alternativement en vert puis en rouge, c'est qu'il y a un problème et que la recharge n'est pas possible. Les bornes du chargeur ou de la batterie sont recouvertes de poussière, ou la batterie est usée ou endommagée.

Charge de compensation (charge d'entretien)

Si vous laissez la batterie dans le chargeur pour éviter toute décharge spontanée après une recharge complète, le chargeur passe en mode de "charge de compensation (charge d'entretien)" pour maintenir la batterie fraîche et rechargée à plein.

Conseils pour obtenir la durée de service maximale de la batterie

1. Rechargez la batterie avant qu'elle ne soit complètement déchargée.
Arrêtez toujours l'outil et rechargez la batterie quand vous remarquez que la puissance de l'outil diminue.
2. Ne rechargez jamais une batterie complètement chargée.
Une surcharge réduira la durée de service de la batterie.
3. Rechargez la batterie à une température ambiante comprise entre 10°C et 40°C.
Si la batterie est chaude, laissez-la refroidir avant de la recharger.
4. Rechargez la batterie à hydrure métallique de nickel lorsqu'elle reste inutilisée pour plus de six mois.

Les durées de recharge sont indiquées dans le tableau ci-dessous.

Type de batterie	Capacité (mAh)	Nombre d'accus	Durée de recharge (Environ)
9122	2000	8	45 mn
9133	2200	8	50 mn
9134	2600	8	60 mn
9135	3000	8	70 mn
1222	2000	10	45 mn
1233	2200	10	50 mn
1234	2600	10	60 mn
1235	3000	10	70 mn
1422	2000	12	45 mn
1433	2200	12	50 mn
1434	2600	12	60 mn
1435	3000	12	70 mn
1822	2000	15	45 mn
1833	2200	15	50 mn
1834	2600	15	60 mn
1835	3000	15	70 mn

Interrupteur (Fig. 3)

ATTENTION :

Avant de mettre la batterie dans l'outil, vérifiez toujours que la gâchette fonctionne correctement et qu'elle revient sur la position "OFF" quand vous la relâchez.

Pour démarrer l'outil, tirez simplement sur la gâchette. Plus vous appuyez sur la gâchette, plus la vitesse augmente. Pour l'arrêter, relâchez la gâchette.

Inverseur (Fig. 4)

L'outil possède un inverseur qui permet d'inverser le sens de rotation. Appuyez sur le levier de l'inverseur et déplacez-le à partir du côté A pour une rotation vers la droite, ou à partir du côté B pour une rotation vers la gauche. Lorsque l'inverseur est à la position neutre, il n'est pas possible d'actionner la gâchette.

ATTENTION :

- Vérifiez toujours le sens de rotation avant de mettre l'outil en marche.
- N'actionnez l'inverseur qu'une fois que l'outil est complètement arrêté. Si vous changez le sens de rotation de l'outil avant l'arrêt de l'outil, vous risquez de l'endommager.
- Quand vous n'utilisez pas l'outil, ramenez toujours l'inverseur sur la position neutre.


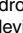
Changement de vitesse (Fig. 5)

Pour changer de vitesse, commencez par éteindre l'outil, puis déplacez le levier de changement de vitesse sur le côté "2" pour faire marcher l'outil à grande vitesse, ou sur le côté "1" pour le faire marcher à vitesse réduite. Vérifiez que le levier de changement de vitesse est réglé sur la bonne position avant le travail. Utilisez la vitesse qui convient pour le travail.

ATTENTION :

- Réglez toujours le levier de changement de vitesse à fond sur la position voulue. Si vous actionnez l'outil alors que le levier est placé à mi-chemin entre la position "1" et la position "2", vous risquez d'endommager l'outil.
- N'actionnez pas le levier de changement de vitesse pendant que l'outil fonctionne. Cela pourrait endommager l'outil.


Sélection du mode (Fig. 6)

Cet outil est muni d'un levier de changement de mode. Pour le perçage, appuyez sur le bouton de verrouillage puis faites glisser le levier vers la gauche (symbole ). Pour le vissage, faites glisser le levier vers la droite (symbole ) jusqu'à ce qu'il se verrouille. Si le levier est difficile à tourner, tournez d'abord le mandrin dans un sens ou dans l'autre, puis tournez le levier.

ATTENTION :

- Glissez toujours le levier de changement de mode complètement sur la position du mode désiré. Si vous faites fonctionner l'outil en plaçant le levier entre les symboles de mode, vous risquez d'endommager l'outil.
- Ne déplacez pas le levier de changement de mode pendant que l'outil fonctionne. Vous risqueriez d'endommager l'outil.

Réglage du couple de serrage (Fig. 7)

Le couple de serrage peut être réglé sur 16 crans à l'aide de la bague de réglage. Tournez la bague de façon que ses graduations soient alignées sur le pointeur du corps de l'outil. Glissez d'abord le levier de changement de mode sur la position indiquée par le symbole . Le couple de serrage est minimal lorsque le chiffre 1 est aligné sur le pointeur, et il est maximal lorsque le repère est aligné sur le pointeur.

L'embrayage glissera à différents niveaux de couple lorsque le couple est réglé entre 1 et 16. L'embrayage est conçu pour ne pas glisser sur le repère.

Avant de procéder, effectuez toujours un essai dans le matériau de travail ou dans un matériau analogue pour déterminer le temps de serrage qui convient pour le travail en question.

ATTENTION :

- La bague de réglage ne se verrouille pas lorsque le pointeur est placé entre les graduations.

ASSEMBLAGE

ATTENTION :

Assurez-vous toujours que l'outil est hors tension et que la batterie est sortie avant d'effectuer toute intervention sur l'outil.

Installation et retrait de l'embout ou du foret (Fig. 8)

Tenez la bague et tournez le manchon vers la gauche pour ouvrir le mandrin. Enfoncez le foret dans le mandrin le plus loin qu'il aille. Tenez solidement la bague et tournez le manchon vers la droite pour serrer le mandrin. Pour retirer le foret, tenez la bague et tournez le manchon vers la gauche.


Lorsque vous n'utilisez pas le foret, rangez-le dans le porte-foret.

Il peut contenir des forets d'une longueur de 45 mm.

(Fig. 9)

EMPLOI

Vissage (Fig. 10)

Glissez d'abord le levier de changement de mode sur la position indiquée par le symbole , puis sélectionnez le couple de serrage.

Insérez la pointe de l'embout dans la tête de la vis et appuyez sur l'outil. Commencez par faire tourner l'outil lentement, puis augmentez la vitesse progressivement. Relâchez la gâchette dès que la vis est complètement enfoncée.

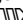
ATTENTION :

- Vérifiez que l'embout est bien enfoncé droit dans la tête de la vis, sinon la vis et/ou le foret risquent d'être endommagés.
- Pour enfoncer des vis en bois, le travail sera plus facile si vous commencez par percer des trous pilotes, et vous éviterez ainsi de fendre la pièce. Voyez le tableau ci-dessous.

Diamètre nominal de vis en bois (mm)	Dimension recommandée du trou pilote (mm)
3,1	2,0–2,2
3,5	2,2–2,5
3,8	2,5–2,8
4,5	2,9–3,2
4,8	3,1–3,4
5,1	3,3–3,6
5,5	3,6–3,9
5,8	4,0–4,2
6,1	4,2–4,4

- Si l'outil a fonctionné de façon continue jusqu'à ce que la batterie soit déchargée, laissez l'outil reposer pendant 15 minutes avant de recommencer avec une batterie fraîche.

Perçage

Glissez d'abord le levier de changement de mode sur la position indiquée par le symbole .

- Perçage dans du bois

Pour percer dans du bois, vous obtiendrez les meilleurs résultats avec un foret en bois doté d'une vis de guidage. La vis de guidage facilite le perçage en attirant le foret dans la pièce.

- Perçage dans du métal

Pour que le foret ne glisse pas quand vous commencez à percer le trou, faites une entaille à l'aide d'un outil à centrer et d'un marteau. Placez la pointe du foret dans l'entaille et commencez à percer. Pour percer des métaux, utilisez un lubrifiant de coupe. Seuls le fer et le cuivre devront être percés à sec.

ATTENTION :

- Vous ne percerez pas plus rapidement en appuyant plus fort sur l'outil. Au contraire, une pression excessive ne pourra qu'endommager la pointe du foret, réduisant ainsi les performances de l'outil et sa durée de vie.
- Il s'exerce une pression considérable sur l'outil/le foret au moment où le trou se perce. Tenez l'outil fermement et faites attention lorsque le foret commence à pénétrer dans la pièce.
- Pour retirer un foret coincé, il suffit de régler l'inverseur dans le sens de rotation inverse, ce qui fait ressortir le foret. Faites attention car l'outil risque de ressortir brusquement si vous ne le tenez pas fermement.
- Si les pièces sont petites, fixez-les toujours dans un étau ou tout autre dispositif de serrage similaire.
- Si l'outil a fonctionné de façon continue jusqu'à ce que la batterie soit déchargée, laissez l'outil reposer pendant 15 minutes avant de recommencer avec une batterie fraîche.

Installation de la plaque de fixation (accessoire en option)

Installez toujours la plaque de fixation lorsque vous utilisez la batterie 9100, 9102, 9102A pour Modèle 6207D et 1200, 1202, 1202A pour Modèle 6217D/6317D. Installez la plaque de fixation sur l'outil à l'aide de la vis fournie. (Fig. 11)

ENTRETIEN

ATTENTION :

Assurez-vous toujours que l'outil est hors tension et que la batterie est sortie avant de procéder à son inspection ou à son entretien.

Remplacement des charbons

Retirez et vérifiez régulièrement les charbons. Remplacez-les lorsqu'ils sont usés jusqu'au trait de limite d'usure. Maintenez les charbons propres et en état de glisser aisément dans les porte-charbon. Les deux charbons doivent être remplacés en même temps. N'utilisez que des charbons identiques. **(Fig. 12)**

Retirez les bouchons de porte-charbon à l'aide d'un tournevis. Enlevez les charbons usés, insérez-en de nouveaux et revissez solidement les bouchons de porte-charbon. **(Fig. 13)**

Pour assurer la SÉCURITÉ et la FIABILITÉ du produit, les réparations, l'entretien ou les réglages doivent être effectués par un centre d'entretien Makita agréé, au moyen de pièces de rechange Makita.

Übersicht

1 Akku	9 Drehzahlumschalter	17 Einsatzwerkzeug
2 Akku-Entriegelungsknopf	10 Betriebsart-Umschalthebel	18 Einsatzwerkzeughalter
3 Ladekontrollleuchte	11 Arretierknopf	19 Schraube
4 Ladegerät	12 Einstellung	20 Haltebügel
5 Elektronikschalter	13 Teilstriche	21 Verschleißgrenze
6 Drehrichtungsumschalter	14 Markierungspfeil	22 Bürstenhalterkappe
7 Rechtsdrehung	15 Werkzeugverriegelung	23 Schraubendreher
8 Linksdrehung	16 Klemmring	

TECHNISCHE DATEN

Modell	6207D	6217D	6317D	6337D	6347D
Bohrleistung					
Stahl	10 mm	10 mm	13 mm	13 mm	13 mm
Holz	25,4 mm	25,4 mm	25,4 mm	32 mm	38 mm
Holzschraube	6 x 75 mm	6 x 75 mm	6 x 75 mm	6 x 75 mm	10 x 89 mm
Maschinenschraube	13 mm	13 mm	13 mm	13 mm	13 mm
Leerlaufdrehzahl (min ⁻¹)					
Hoch	0 – 1 300	0 – 1 300	0 – 1 300	0 – 1 300	0 – 1 300
Niedrig	0 – 400	0 – 400	0 – 400	0 – 400	0 – 400
Gesamtlänge	233 mm	233 mm	243 mm	243 mm	243 mm
Nettogewicht	1,7 kg	1,9 kg	2,0 kg	2,1 kg	2,4 kg
Nennspannung	DC 9,6 V	DC 12 V	DC 12 V	DC 14,4 V	DC 18 V

- Wir behalten uns vor, Änderungen im Zuge der Entwicklung und des technischen Fortschritts ohne vorherige Ankündigung vorzunehmen.
- Hinweis: Die technischen Daten können von Land zu Land abweichen.

Vorgesehene Verwendung

Das Werkzeug ist für das Bohren und Eindrehen von Schrauben in Holz, Metall und Kunststoff vorgesehen.

Sicherheitshinweise

Lesen und beachten Sie diese Hinweise, bevor Sie das Gerät benutzen.

WICHTIGE SICHERHEITSHINWEISE

1. **DIESE ANWEISUNGEN GUT AUFBEWAHREN** — Diese Betriebsanleitung enthält wichtige Sicherheits- und Gebrauchsanweisungen für Ladegeräte.
2. **Lesen Sie vor der Benutzung des Ladegerätes alle Anweisungen und Warnhinweise, die auf (1) dem Ladegerät, (2) Akku und (3) Akku-Gerät angebracht sind.**
3. **VORSICHT** — Um die Verletzungsgefahr zu reduzieren, dürfen nur Makita-Akkus verwendet werden. Andere Akku-Typen können platzen und Verletzungen oder Sachschäden verursachen.
4. **Setzen Sie Ladegerät und Akku weder Regen noch Schnee aus.**
5. **Die Verwendung von Zubehör, das nicht vom Ladegerät-Hersteller empfohlen oder verkauft wird, kann Feuer, elektrische Schläge oder Verletzungen verursachen.**
6. **Um Beschädigung des Netzsteckers und Netzkabels zu vermeiden, ziehen Sie beim Trennen des Ladegerätes vom Stromnetz nicht an der Netzanschlußleitung, sondern nur am Netzstecker.**

7. **Verlegen Sie die Netzanschlußleitung so, daß niemand darauf tritt, darüber stolpert oder sonstigen Belastungen ausgesetzt wird.**
8. **Betreiben Sie das Ladegerät nicht mit einer beschädigten Netzanschlußleitung oder Stecker — beschädigte Teile sind unverzüglich auszuwechseln.**
9. **Betreiben Sie das Ladegerät nicht, wenn es starken Erschütterungen ausgesetzt, fallen gelassen oder sonstwie beschädigt wurde. Bringen Sie es in diesem Fall zu einem qualifizierten Kundendiensttechniker.**
10. **Versuchen Sie nicht, das Ladegerät oder den Akku zu zerlegen, sondern bringen Sie es zu einem qualifizierten Kundendiensttechniker, wenn Wartungs- oder Reparaturarbeiten erforderlich sind. Falscher Zusammenbau kann die Ursache für elektrische Schläge oder Feuer sein.**
11. **Um die Gefahr von elektrischen Schlägen aususchließen, müssen Sie das Ladegerät stets vom Stromnetz trennen, bevor Sie mit Wartungs- oder Reinigungsarbeiten beginnen.**
12. **Das Ladegerät sollte nicht von kleinen Kindern oder gebrechlichen Personen ohne Beaufsichtigung benutzt werden.**
13. **Kleine Kinder sollten beaufsichtigt werden, um sicherzugehen, daß sie nicht mit dem Ladegerät spielen.**
14. **Falls die Betriebszeit beträchtlich kürzer geworden ist, stellen Sie den Betrieb sofort ein. Andernfalls besteht die Gefahr von Überhitzung, möglichen Verbrennungen und sogar einer Explosion.**
15. **Falls Elektrolyt in Ihre Augen gelangt, waschen Sie sie mit sauberem Wasser aus, und begeben Sie sich unverzüglich in ärztliche Behandlung. Andernfalls können Sie Ihre Sehkraft verlieren.**

ZUSÄTZLICHE SICHERHEITSGEDELN FÜR LADEGERÄT UND AKKU

1. Laden Sie den Akku nicht bei Temperaturen unter 10°C oder über 40°C.
2. Schließen Sie das Ladegerät nicht an einen Spartransformator, Generator oder eine Gleichstrom-Steckdose an.
3. Achten Sie darauf, daß die Lüftungsöffnungen des Ladegerätes durch nichts verdeckt oder verstopft werden.
4. Die Kontakte des Akkus außerhalb der Maschine oder des Ladegerätes mit der Kontaktschutzhaube abdecken, um einen Kurzschluß durch metallische Überbrückung zu verhindern.
5. Der Akku darf nicht kurzgeschlossen werden:
 - (1) Die Kontakte dürfen nicht mit leitfähigem Material berührt werden.
 - (2) Lagern Sie den Akku nicht in einem Behälter zusammen mit anderen Metallgegenständen, wie z. B. Nägel, Schrauben, Münzen, usw.
 - (3) Setzen Sie den Akku weder Regen noch Wasser aus.
Ein Kurzschluß des Akkus verursacht starken Stromfluß und dadurch als Folge Überhitzung, die Verbrennungen sowie ein Verschmelzen des Akkus herbeiführen können.
6. Lagern Sie Werkzeug und Akku nicht an Orten, an denen die Temperatur 50°C erreicht oder übersteigt.
7. Versuchen Sie niemals, den Akku zu verbrennen, selbst wenn er stark beschädigt oder vollkommen verbraucht ist. Der Akku kann im Feuer explodieren.
8. Achten Sie darauf, daß der Akku nicht fallen gelassen, Erschütterungen oder Stößen ausgesetzt wird.
9. Laden Sie den Akku niemals innerhalb eines Kartons oder eines geschlossenen Behälters. Der Akku darf nur an einem gut belüfteten Ort geladen werden.

Umweltschutz

Das Gerät ist mit einem Nickel-Cadmium-Akku ausgerüstet. Um eine umweltgerechte Entsorgung zu gewährleisten, bitten wir Sie, folgende Punkte zu beachten:

- Gemäß Europäischer Batterierichtlinie 91/157/EWG und nationaler Gesetzgebung (Batterieverordnung) muß der verbrauchte Akku bei einer öffentlichen Sammelstelle, bei Ihrem Makita Kundendienst oder Ihrem Fachhändler zum Recycling abgegeben werden.
- Werfen Sie den verbrauchten Akku nicht in den Hausmüll, ins Feuer oder ins Wasser.

(Nur für die Schweiz)

- Ihr Beitrag zum Umweltschutz: Bringen Sie bitte die gebrauchte Batterie an eine offizielle Sammelstelle zurück.



ZUSÄTZLICHE SICHERHEITSGEDELN FÜR DIE MASCHINE

1. Beachten Sie, daß diese Maschine stets betriebsbereit ist, da sie nicht erst an eine Netzsteckdose angeschlossen werden muß.
2. Halten Sie die Maschine nur an den isolierten Griffflächen, wenn Sie Arbeiten ausführen, bei denen verborgene Kabel angebohrt werden können. Bei Kontakt mit einem stromführenden Kabel werden die freiliegenden Metallteile der Maschine ebenfalls stromführend, so daß der Benutzer einen elektrischen Schlag erleiden kann.
3. Achten Sie stets auf sicheren Stand.
4. Vergewissern Sie sich bei Einsatz der Maschine an hochgelegenen Arbeitsplätzen, daß sich keine Personen darunter aufhalten.
5. Halten Sie die Maschine mit festem Griff.
6. Halten Sie die Hände von rotierenden Teilen fern.
7. Lassen Sie die Maschine nicht unbeaufsichtigt laufen. Benutzen Sie die Maschine nur im handgeführten Einsatz.
8. Vermeiden Sie eine Berührung des Bohreinsatzes oder des Werkstücks unmittelbar nach der Bearbeitung, weil sie dann noch sehr heiß sind und Hautverbrennungen verursachen können.

BEWAHREN SIE DIESE HINWEISE SORGFÄLTIG AUF.

BEDIENUNGSHINWEISE

Anbringen und Abnehmen des Akkus (Abb. 1)

- Schalten Sie die Maschine stets aus, bevor Sie den Akku anbringen oder abnehmen.
- Zum Abnehmen des Akkus ziehen Sie ihn aus der Maschine heraus, während Sie die Entriegelungsknöpfe auf beiden Seiten drücken.
- Zum Einsetzen des Akkus richten Sie die Führungsfeder des Akkus auf die Nut im Maschinengehäuse aus und schieben den Akku hinein. Schieben Sie den Akku stets vollständig ein, bis er mit einem hörbaren Klicken einrastet. Anderenfalls kann er aus der Maschine herausfallen und Sie oder umstehende Personen verletzen.
- Wenden Sie beim Einsetzen des Akkus keine Gewalt an. Falls der Akku nicht reibungslos hineingleitet, ist er nicht richtig ausgerichtet.

Laden (Abb. 2)

1. Schließen Sie das Ladegerät an eine geeignete Wechselstromquelle an. Die Ladekontrollleuchte blinkt grün.
2. Setzen Sie den Akku so ein, dass Plus- und Minuspol mit den entsprechenden Markierungen am Hochleistungs-Ladegerät übereinstimmen. Führen Sie den Akku bis zum Anschlag in die Öffnung des Ladegerätes ein.
3. Sobald der Akku eingesetzt wird, wechselt die Farbe der Ladekontrollleuchte von Grün nach Rot, und der Ladevorgang beginnt. Die Ladekontrollleuchte leuchtet während des Ladevorgangs ständig.
4. Wenn die Farbe der Ladekontrolllampe von Rot nach Grün wechselt, ist der Ladevorgang beendet.

- Die Ladezeit beträgt ungefähr eine Stunde. Wird der Akku nach Abschluß des Ladevorgangs im Ladegerät gelassen, schaltet das Ladegerät auf den Erhaltungslademodus um, der etwa 24 Stunden andauert.
- Nach dem Laden das Ladegerät vom Akku und vom Netz trennen.

VORSICHT:

- Das Ladegerät ist ausschließlich zum Laden von Makita-Akkus vorgesehen. Verwenden Sie es auf keinen Fall für einen anderen Zweck oder zum Laden von Akkus anderer Fabrikate.
- Wenn der Akku noch neu ist oder über einen längeren Zeitraum nicht verwendet wurde, kann er seine volle Kapazität nicht entfalten. Durch mehrfaches Entladen und anschließendes Laden wird die volle Kapazität wieder erreicht.
- Wenn Sie versuchen, einen noch warmen Akku zu laden, leuchtet die Ladekontrolleuchte u. U. rot. In diesem Fall lassen Sie den Akku abkühlen. Der Akku kühlt schneller ab, wenn Sie ihn aus dem Hochleistungs-Ladegerät entfernen.
- Wenn die Ladekontrolleuchte abwechselnd grün und rot blinkt, liegt eine Störung vor; der Akku kann nicht geladen werden. Die Kontakte des Ladegerätes bzw. des Akkus sind möglicherweise verschmutzt, oder der Akku ist beschädigt bzw. verbraucht.

Erhaltungsladung

Wird der Akku im Ladegerät gelassen, um Selbstentladung nach einer vollen Ladung zu vermeiden, schaltet das Ladegerät auf den Erhaltungslademodus um, so daß der Akku frisch und voll geladen bleibt.

Tips zur Erhaltung der maximalen Akkulebensdauer

- Laden Sie den Akku, bevor er vollkommen entladen ist.
Schalten Sie stets die Maschine aus und laden Sie den Akku, wenn Sie ein Nachlassen der Maschineleistung bemerken.
- Unterlassen Sie erneutes Laden eines voll geladenen Akkus.
Überladen verkürzt die Lebensdauer des Akkus.
- Laden Sie den Akku bei Raumtemperatur (10°C bis 40°C).
Lassen Sie einen heißen Akku vor dem Laden abkühlen.
- Der Nickel-Metallhydrid-Akku muss geladen werden, wenn er länger als sechs Monate nicht benutzt worden ist.

Die Ladezeiten sind in der nachfolgenden Tabelle aufgeführt.

Akku	Leistung (mAh)	Anzahl der Zellen	Ladezeit
9122	2 000	8	ca. 45 Min.
9133	2 200	8	ca. 50 Min.
9134	2 600	8	ca. 60 Min.
9135	3 000	8	ca. 70 Min.
1222	2 000	10	ca. 45 Min.
1233	2 200	10	ca. 50 Min.
1234	2 600	10	ca. 60 Min.
1235	3 000	10	ca. 70 Min.
1422	2 000	12	ca. 45 Min.
1433	2 200	12	ca. 50 Min.
1434	2 600	12	ca. 60 Min.
1435	3 000	12	ca. 70 Min.
1822	2 000	15	ca. 45 Min.
1833	2 200	15	ca. 50 Min.
1834	2 600	15	ca. 60 Min.
1835	3 000	15	ca. 70 Min.

Schalterfunktion (Abb. 3)

VORSICHT:

Vergewissern Sie sich vor dem Einsetzen des Akkus in die Maschine stets, daß der Elektronikschalter ordnungsgemäß funktioniert und beim Loslassen in die AUS-Stellung zurückkehrt.

Zum Einschalten der Maschine drücken Sie einfach den Elektronikschalter. Die Drehzahl erhöht sich durch verstärkte Druckausübung auf den Elektronikschalter. Zum Ausschalten lassen Sie den Elektronikschalter los.

Drehrichtungsumschalter (Abb. 4)

Diese Maschine besitzt einen Drehrichtungsumschalter. Drücken Sie auf die Seite A des Drehrichtungsumschalters für Rechtsdrehung, und auf die Seite B für Linksdrehung. In der Neutralstellung des Drehrichtungsumschalters ist der Elektronikschalter verriegelt.

VORSICHT:

- Prüfen Sie stets die Drehrichtung, bevor Sie mit der Arbeit beginnen.
- Betätigen Sie den Drehrichtungsumschalter erst, nachdem die Maschine zum vollkommenen Stillstand gekommen ist. Anderenfalls kann die Maschine beschädigt werden.
- Wenn Sie die Maschine nicht benutzen, stellen Sie den Drehrichtungsumschalter stets auf die Neutralstellung.

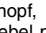
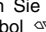
Drehzahlumschalter (Abb. 5)

Um die Getriebeuntersetzung zu ändern, schalten Sie zunächst die Maschine aus, und dann schieben Sie den Drehzahlumschalter auf die Stellung "2" für hohe Drehzahl, oder auf die Stellung "1" für niedrige Drehzahl. Vergewissern Sie sich vor Arbeitsbeginn stets, daß sich der Drehzahlumschalter in der korrekten Stellung befindet. Verwenden Sie stets die geeignete Drehzahl für die jeweilige Arbeit.

VORSICHT:

- Achten Sie stets darauf, daß sich der Drehzahlumschalter vollkommen in seiner jeweiligen Endposition befindet. Wird die Maschine bei einer Zwischenstellung des Schalters zwischen "1" und "2" betrieben, kann die Maschine beschädigt werden.
- Betätigen Sie den Drehzahlumschalter nicht während des Betriebs. Die Maschine kann sonst beschädigt werden.

Wahl der Betriebsart (Abb. 6)

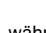
Diese Maschine besitzt einen Betriebsart-Umschalthebel. Für Bohren drücken Sie den Arretierknopf, und schieben Sie dann den Betriebsart-Umschalthebel nach links (Symbol ). Für Schrauben schieben Sie den Betriebsart-Umschalthebel nach rechts (Symbol ) , bis er einrastet. Falls sich der Hebel nur schwer drehen lässt, drehen Sie das Bohrfutter leicht in beide Richtungen, bevor Sie den Hebel erneut drehen.

VORSICHT:

- Schieben Sie den Betriebsart-Umschalthebel immer bis zum Anschlag auf die gewünschte Position. Wird die Maschine bei einer Zwischenstellung des Hebels zwischen den Betriebsartpositionen betrieben, kann sie beschädigt werden.
- Betätigen Sie den Betriebsart-Umschalthebel nicht während des Betriebs der Maschine. Die Maschine kann sonst beschädigt werden.

Einstellen des Drehmoments (Abb. 7)

Das Drehmoment kann in 16 Stufen eingestellt werden. Drehen Sie dazu den Einstellring so, daß der gewünschte Teilstrich auf den Markierungspfeil am Maschinengehäuse ausgerichtet ist.

Schieben Sie den Betriebsart-Umschalthebel zuerst auf die Position des Symbols . Stellung 1 ergibt das minimale Drehmoment, während das maximale Drehmoment erzielt wird, wenn der Markierungspfeil auf das Symbol zeigt. Die eingebaute Kupplung ist so konstruiert, daß sie bei Erreichen des vorgewählten Drehmoments zwischen 1 und 16 durchrutscht, während sie in der Stellung die Kraftübertragung nicht unterbricht. Bevor Sie mit der eigentlichen Schraubarbeit beginnen, sollten Sie eine Probeverschraubung mit Ihrem Material oder einem Stück des gleichen Materials durchführen, um das geeignete Drehmoment zu ermitteln.

VORSICHT:

- Der Einstellring rastet nicht ein, wenn sich der Markierungspfeil in einer Zwischenstellung befindet.

MONTAGE

VORSICHT:

Vor Arbeiten am Gerät vergewissern Sie sich, daß sich der Schalter in der "OFF"-Position befindet und der Akku aus dem Gerät entfernt ist.

Montage und Demontage von Einsatzwerkzeugen (Abb. 8)

Halten Sie den Klemmring fest und drehen Sie die Werkzeugverriegelung entgegen dem Uhrzeigersinn, um die Bohrfutterbacken zu öffnen. Führen Sie das Einsatzwerkzeug bis zum Anschlag in das Bohrfutter ein. Halten Sie den Klemmring fest und drehen Sie die Werkzeugverriegelung im Uhrzeigersinn, um das Bohrfutter festzuziehen.

Zum Entfernen des Einsatzwerkzeugs halten Sie den Klemmring und drehen die Werkzeugverriegelung entgegen dem Uhrzeigersinn.

Unbenutzte Schraubendrehereinsätze können im Einsatzhalter aufbewahrt werden. Einsätze bis zu einer Länge von 45 mm können dort aufbewahrt werden. (Abb. 9)

BETRIEB

Schrauben (Abb. 10)

Schieben Sie den Betriebsart-Umschalthebel zuerst auf die Position des Symbols , und wählen Sie das Anzugsmoment.

Setzen Sie die Spitze des Schraubendrehereinsatzes in den Schraubenkopf ein und üben Sie Druck auf die Maschine aus. Lassen Sie die Maschine langsam anlaufen, und erhöhen Sie dann die Drehzahl allmählich. Lassen Sie den Elektronikschalter los, sobald die Kupplung ausrückt.


VORSICHT:

- Achten Sie darauf, daß die Spitze des Schraubendrehereinsatzes senkrecht in den Schraubenkopf eingeführt wird, um eine Beschädigung von Schraube und/oder Einsatz zu vermeiden.
- Beim Eindrehen von Holzschrauben ist das Bohren von Vorbohrungen zu empfehlen, um das Eindrehen zu erleichtern und Spaltung des Werkstücks zu vermeiden. Siehe die nachstehende Tabelle.

Nenndurchmesser der Holzschraube (mm)	Empfohlene Größe der Vorbohrung (mm)
3,1	2,0–2,2
3,5	2,2–2,5
3,8	2,5–2,8
4,5	2,9–3,2
4,8	3,1–3,4
5,1	3,3–3,6
5,5	3,7–3,9
5,8	4,0–4,2
6,1	4,2–4,4

- Wenn die Maschine im Dauerbetrieb bis zur vollkommene Entladung des Akkus verwendet wurde, lassen Sie die Maschine vor dem Fortsetzen des Betriebs mit einem frischen Akku 15 Minuten lang abkühlen.

Bohren

Schieben Sie den Betriebsart-Umschalthebel zuerst auf die Position des Symbols .

- Bohren in Holz

Beim Bohren in Holz lassen sich die besten Ergebnisse mit Holzbohrern erzielen, die mit einer Zentrierspitze ausgestattet sind. Die Zentrierspitze erleichtert das Bohren, da sie den Bohrer in das Werkstück hineinzieht.

- Bohren in Metall

Um Abrutschen des Bohrers beim Anbohren zu vermeiden, empfiehlt es sich, die Bohrstelle mit einem Zentriertkörnchen anzukörnen. Setzen Sie dann die Spitze des Bohrers in die Vertiefung und beginnen Sie mit dem Bohren. Verwenden Sie Schneidflüssigkeit beim Bohren von Metall. Eisen und Messing sollten jedoch trocken gebohrt werden.

VORSICHT:

- Übermäßige Druckausübung auf die Maschine bewirkt keine Beschleunigung der Bohrleistung. Im Gegenteil, übermäßiger Druck führt zu einer Beschädigung der Bohrer Spitze und damit zu einer Verringerung der Bohrerstandzeit sowie zu einer Verkürzung der Lebensdauer der Maschine.
- Beim Bohrungsdurchbruch wirkt ein hohes Rückdrehmoment auf Maschine und Bohrer. Halten Sie daher die Maschine mit festem Griff und lassen Sie Vorsicht walten, wenn der Bohrer im Begriff ist, aus dem Werkstück auszutreten.
- Ein festsitzender Bohrer läßt sich durch einfaches Umschalten der Drehrichtung wieder herausdrehen. Dabei sollten Sie aber die Maschine gut festhalten, damit sie nicht ruckartig herausgestoßen wird.
- Spannen Sie kleine Werkstücke stets in einen Schraubstock oder eine ähnliche Aufspanvorrichtung ein.
- Wenn die Maschine im Dauerbetrieb bis zur vollkommenen Entladung des Akkus verwendet wurde, lassen Sie die Maschine vor dem Fortsetzen des Betriebs mit einem frischen Akku 15 Minuten lang abkühlen.

Montieren der Halteklammer (Sonderzubehör)

Montieren Sie stets die Halteplatte bei Verwendung der Akkus 9100, 9102, 9102A für Modell 6207D und 1200, 1202, 1202A für Modell 6217D/6317D. Montieren Sie die Halteklammer mit der mitgelieferten Schraube an der Maschine. **(Abb. 11)**

WARTUNG

VORSICHT:

Vor Arbeiten am Gerät vergewissern Sie sich, daß sich der Schalter in der "OFF"-Position befindet und der Akku aus dem Gerät entfernt ist.

Kohlebürsten wechseln

Die Kohlebürsten müssen regelmäßig entfernt und überprüft werden. Wenn sie bis zur Verschleißgrenze abgenutzt sind, müssen sie erneuert werden. Halten Sie die Kohlebürsten stets sauber, damit sie ungehindert in den Haltern gleiten können. Beide Kohlebürsten sollten gleichzeitig erneuert werden. Verwenden Sie nur identische Kohlebürsten. **(Abb. 12)**

Drehen Sie die Bürstenhalterkappen mit einem Schraubendreher heraus. Die abgenutzten Kohlebürsten herausnehmen, die neuen einsetzen, und dann die Bürstenhalterkappen wieder eindrehen. **(Abb. 13)**

Um die SICHERHEIT und ZUVERLÄSSIGKEIT dieses Produkts zu gewährleisten, sollten Reparaturen und andere Wartungs- oder Einstellarbeiten nur von Makita-Vertragswerkstätten oder Makita-Kundendienstzentren unter ausschließlicher Verwendung von Makita-Originalersatzteilen ausgeführt werden.

Visione generale

1	Cartuccia batteria	9	Leva di cambio velocità	16	Anello
2	Bottone	10	Leva di cambio modalità di funzionamento	17	Punta
3	Spia di carica	11	Bottone di bloccaggio	18	Contenitore punte
4	Caricabatteria	12	Anello di registro	19	Vite
5	Interruttore	13	Graduazioni	20	Piastrina di fissaggio
6	Interruptore di inversione	14	Indice	21	Segno limite
7	Senso orario	15	Manicotto	22	Tappo portaspazzole
8	Senso antiorario			23	Cacciavite

DATI TECNICI

Modello	6207D	6217D	6317D	6337D	6347D
Capacità					
Acciaio	10 mm	10 mm	13 mm	13 mm	13 mm
Legno	25,4 mm	25,4 mm	25,4mm	32 mm	38 mm
Vite per legno	6 x 75 mm	6 x 75 mm	6 x 75 mm	6 x 75 mm	10 x 89 mm
Vite a ferro	13 mm	13 mm	13 mm	13 mm	13 mm
Velocità a vuoto (min ⁻¹)					
Alta	0 – 1.300	0 – 1.300	0 – 1.300	0 – 1.300	0 – 1.300
Bassa	0 – 400	0 – 400	0 – 400	0 – 400	0 – 400
Lunghezza totale	233 mm	233 mm	243 mm	243 mm	243 mm
Peso netto	1,7 kg	1,9 kg	2,0 kg	2,1 kg	2,4 kg
Tensione nominale	C.c. 9,6 V	C.c. 12 V	C.c. 12 V	C.c. 14,4 V	C.c. 18 V

- Per il nostro programma di ricerca e sviluppo continui, i dati tecnici sono soggetti a modifiche senza preavviso.
- Nota: I dati tecnici potrebbero differire a seconda del paese di destinazione del modello.

Utilizzo previsto

Questo utensile serve a forare e avvitare le viti nel legno, metallo e plastica.

Consigli per la sicurezza

Per la vostra sicurezza, riferitevi alle accluse istruzioni per la sicurezza.

ISTRUZIONI DI SICUREZZA IMPORTANTI PER CARICATORI E BATTERIE A CARTUCCIA

1. **RISPETTARE QUESTE ISTRUZIONI** — Questo manuale contiene importanti regole di sicurezza e di lavorazione per il caricatore delle batterie.
2. Prima di usare il caricatore delle batterie, leggere tutte le istruzioni e precauzioni scritte (1) sul caricatore delle batterie (2) sulle batterie e (3) utensili che usano le batterie.
3. **ATTENZIONE** — Per ridurre il rischio di ferirsi, caricare solamente batterie ricaricabili della Makita. Altri tipi di batterie possono scoppiare causando danni e ferite alle persone.
4. Non esporre il caricatore alla pioggia oppure alla neve.
5. L'uso di un attacco non raccomandato o venduto dal costruttore del caricatore di batterie può diventare la causa d'incendio, di scosse elettriche, oppure di ferite alle persone.
6. Per ridurre il rischio di danneggiare il cavo elettrico o la spina, quando si vuole staccare il cavo dalla presa sul muro non tirare per il cavo ma prendere direttamente la spina in mano.
7. **Assicurarsi che il cavo è posato in modo da non essere pestato, attorcigliato oppure messo in condizioni di essere danneggiato oppure stirato.**
8. **Non mettere in operazione il caricatore delle batterie con un cavo o una spina in cattive condizioni. Sostituire immediatamente.**
9. **Non mettere in operazione un caricatore quando ha ricevuto una botta, quando è stato fatto cadere, oppure è stato danneggiato in una maniera qualsiasi. Portatelo subito ad un negozio di fiducia per le riparazioni del caso.**
10. **Non smontare il caricatore o le batterie a cartuccia. Portatelo da un negozio di fiducia se è necessario fare qualche riparazione. Un rimontaggio sbagliato può causare scosse elettriche oppure un incendio.**
11. **Per ridurre il rischio di scosse elettriche, staccare il caricatore dalla presa di corrente prima di tentare qualsiasi lavoro di manutenzione oppure di pulizia. Il rischio non sarebbe ridotto col solo distacco dell'interruttore.**
12. **Il caricabatteria non deve essere usato dai bambini o dagli infermi senza supervisione.**
13. **I bambini devono essere sorvegliati perché non giochino con il caricabatteria.**
14. **Se il tempo di funzionamento diventa eccessivamente corto, smettere immediatamente di usare l'utensile, perché potrebbe surriscaldarsi con pericolo di bruciature ed anche di esplosione.**
15. **Se l'elettrolito dovesse finire negli occhi, sciaccarli con acqua pulita e rivolgersi immediatamente a un medico. C'è pericolo di perdita della vista.**

ULTERIORI REGOLE DI SICUREZZA PER CARICATORI E BATTERIE A CARTUCCIA

1. Non caricare le batterie a cartuccia quando la temperatura è sotto i 10°C oppure sopra i 40°C.
 2. Non tentare di usare un trasformatore per aumentare la tensione, un generatore oppure qualsiasi sorgente di corrente diretta (DC).
 3. Non lasciar coprire oppure intasare le aperture del caricatore.
 4. Quando la capsula delle batterie non si usa, coprite sempre i poli della batteria con il copri-batteria.
 5. Non cortocircuitare la cartuccia batteria:
 - (1) Non toccare i terminali con un materiale conduttivo.
 - (2) Evitare di conservare la cartuccia batteria in un contenitore insieme con altri oggetti metallici, come chiodi, monete, ecc.
 - (3) Non esporre la cartuccia batteria all'acqua o alla pioggia.
- Un cortocircuito della batteria può causare un grande flusso di corrente, surriscaldamento, possibili bruciature ed anche un guasto.
6. Non immagazzinare l'utensile e le batterie a cartuccia in luoghi dove la temperatura può raggiungere oppure superare i 50°C.
 7. Non buttare nel fuoco le batterie a cartuccia anche se sono estremamente danneggiate oppure completamente fuori uso. Le batterie potrebbero esplodere nel fuoco.
 8. Stare attenti a non far cadere, agitare o sbattere la batteria.
 9. Non caricare la batteria dentro una scatola o un qualsiasi altro contenitore. Durante la carica, la batteria deve trovarsi in un luogo ben ventilato.

(Per la Svizzera soltanto)

Protezione dell'ambiente

La Vostra contribuzione per la protezione dell'ambiente:

Porta la batteria al collettivo ufficiale.



REGOLE ADDIZIONALI DI SICUREZZA PER L'UTENSILE

1. Tenere a mente che questo utensile è sempre in condizioni operative, in quanto non è necessario collegarlo ad una presa di corrente.
2. Tenere l'utensile per le superfici isolate quando si esegue una operazione in cui lo strumento di taglio potrebbe venire a contatto con fili elettrici nascosti. Il contatto con un filo "sotto tensione" mette "sotto tensione" anche le parti metalliche esposte dell'utensile, dando una scossa all'operatore.
3. Appoggiare sempre saldamente i piedi per terra.
4. Se si usa l'utensile in un luogo alto, accertarsi che sotto non ci sia nessuno.
5. Tenere saldamente l'utensile.
6. Tenere le mani lontane dalle parti rotanti.
7. Non lasciare acceso l'utensile. Farlo funzionare soltanto tenendolo in mano.
8. Non toccare la punta del trapano o il pezzo da lavorare immediatamente dopo il lavoro, perché potrebbero essere estremamente caldi e causare bruciature.

CONSERVATE QUESTE ISTRUZIONI.

ISTRUZIONI PER L'USO

Installazione e rimozione della cartuccia batteria (Fig. 1)

- Spegnere sempre l'utensile prima di inserire o di rimuovere la cartuccia batteria.
- Per rimuovere la cartuccia batteria, toglierla dall'utensile schiacciando i bottoni su entrambi i lati della batteria.
- Per inserire la cartuccia batteria, allineare l'appendice sulla cartuccia batteria con la scanalatura dell'alloggiamento e inserirla in posizione. Inserirla sempre completamente finché non si blocca con un piccolo scatto. In caso contrario, potrebbe cadere dall'utensile con pericolo di ferite per l'operatore o per chi gli è vicino.
- Non usare forza per inserire la cartuccia batteria. Se essa non entra facilmente, vuol dire che non è inserita correttamente.

Carica (Fig. 2)

1. Collegare il caricabatteria alla fonte di alimentazione c.a. corretta. La spia di carica lampeggia in verde.
2. Inserire la cartuccia batteria in modo che i suoi terminali più e meno si trovino sullo stesso lato dei loro rispettivi segni sul caricabatteria ad alta capacità. Inserire completamente la cartuccia batteria nella porta, in modo che venga a trovarsi appoggiata sul pavimento della porta del caricatore.
3. Quando si inserisce la cartuccia batteria, il colore della spia di carica cambia da verde a rosso e la carica comincia. La spia di carica rimane accesa durante la carica.
4. La carica è completa quando il colore della spia cambia da rosso a verde.
5. Se si lascia la cartuccia batteria nella carica dopo il completamento del ciclo di carica, la carica si dispone nel modo di "carica centellinare (carica di manutenzione)" che dura circa 24 ore.
6. Dopo la carica, staccare il caricatore dalla presa di corrente.

ATTENZIONE:

- La carica batteria serve a caricare la cartuccia batteria Makita. Mai usarlo per altri scopi o per caricare le batterie di altri fabbricanti.
- Quando si carica una nuova cartuccia batteria o una cartuccia batteria che non è stata usata per un lungo periodo di tempo, essa potrebbe non accettare una carica completa. Questa è una condizione normale e non indica un problema. La cartuccia batteria può essere ricaricata completamente dopo che è stata scaricata e ricaricata completamente un paio di volte.
- Se si carica la cartuccia batteria subito dopo aver usato l'utensile, oppure una cartuccia batteria che sia rimasta esposta alla luce diretta del sole per un lungo periodo di tempo, la spia di carica potrebbe lampeggiare in rosso. In tal caso, aspettare qualche tempo. La carica comincia dopo che la cartuccia batteria si è raffreddata. La cartuccia batteria si raffredda più velocemente se viene rimossa dal caricabatteria al alta capacità.
- Se la spia di carica lampeggia alternativamente in verde e in rosso, vuol dire che c'è un problema e la carica non è possibile. Probabilmente, i terminali della carica o della cartuccia batteria sono intasati di polvere, oppure la cartuccia batteria è usurata o danneggiata.

Carica centellinare (carica di manutenzione)

Se si lasciano la cartuccia batteria nella carica per evitare che si scarichino da sole dopo una carica completa, la carica si dispone nel modo di "carica centellinare (carica di manutenzione)" e mantiene la cartuccia batteria completamente cariche.

Suggerimenti per prolungare al massimo la vita della cartuccia batteria

1. Caricare la cartuccia batteria prima che si scarichi completamente.
Smettere sempre di usare l'utensile e caricare la cartuccia batteria quando si nota una diminuzione di potenza dell'utensile.
2. Non si deve mai caricare una cartuccia batteria completamente carica.
La carica eccessiva riduce la vita di servizio della cartuccia batteria.
3. Caricare la cartuccia batteria ad una temperatura ambiente compresa tra i 10°C e i 40°C.
Aspettare che una cartuccia batteria calda si raffreddi prima di caricarla.
4. Caricare la batteria ibrida al nichel-metallo se non la si usa per più di sei mesi.

Per il tempo di carica, riferirsi alla tabella sotto.

Tipo di batteria	Capacità (mAh)	Numero di celle	Tempo di carica (circa)
9122	2.000	8	45 minuti
9133	2.200	8	50 minuti
9134	2.600	8	60 minuti
9135	3.000	8	70 minuti
1222	2.000	10	45 minuti
1233	2.200	10	50 minuti
1234	2.600	10	60 minuti
1235	3.000	10	70 minuti
1422	2.000	12	45 minuti
1433	2.200	12	50 minuti
1434	2.600	12	60 minuti
1435	3.000	12	70 minuti
1822	2.000	15	45 minuti
1833	2.200	15	50 minuti
1834	2.600	15	60 minuti
1835	3.000	15	70 minuti

Funzionamento dell'interruttore (Fig. 3)

ATTENZIONE:

Prima di inserire la cartuccia batteria nell'utensile, accertarsi sempre che l'interruttore funzioni correttamente e ritorni sulla posizione "OFF" quando viene rilasciato.

Per avviare l'utensile, schiacciare semplicemente l'interruttore. La velocità dell'utensile aumenta con l'aumento della pressione del dito sull'interruttore. Rilasciare l'interruttore per fermare l'utensile.

Funzionamento dell'interruttore di inversione (Fig. 4)

Questo utensile è dotato di un interruttore di inversione, per cambiare la direzione di rotazione. Schiacciare la leva dell'interruttore di inversione dal lato A per la rotazione in senso orario, oppure dal lato B per la rotazione in senso antiorario. Quando la leva dell'interruttore si trova sulla posizione neutra, non è possibile schiacciare l'interruttore.

ATTENZIONE:

- Controllare sempre la direzione di rotazione prima di usare l'utensile.
- Usare l'interruttore di inversione soltanto dopo che l'utensile si è fermato completamente. Il cambiamento della direzione di rotazione prima dell'arresto dell'utensile potrebbe danneggiarlo.
- Quando non si usa l'utensile, rimettere sempre la leva dell'interruttore di inversione sulla posizione neutra.

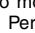
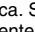
Cambiamento della velocità (Fig. 5)

Per cambiare la velocità, spegnere prima l'utensile e spingere poi la leva di cambio velocità sul lato "2" per l'alta velocità o sul lato "1" per la bassa velocità. Accertarsi che la leva di cambio velocità sia sulla posizione corretta prima di usare l'utensile. Usare la velocità corretta adatta al lavoro.

ATTENZIONE:

- Regolare sempre completamente sulla posizione corretta la leva di cambio velocità. Se si usa l'utensile con la leva di cambio velocità posizionata a metà tra il lato "1" e il lato "2", lo si potrebbe danneggiare.
- Non usare la leva di cambio velocità durante il funzionamento dell'utensile, perché si potrebbe danneggiarlo.

Selezione della modalità di funzionamento (Fig. 6)


Questo utensile ha una leva di cambio della modalità di funzionamento. Per la foratura, schiacciare il bottone di bloccaggio e spingere poi la leva di cambio modalità di funzionamento a sinistra (simbolo ). Per l'avvitamento, spingere la leva di cambio modalità di funzionamento a destra (simbolo ) finché si blocca. Se la leva è dura da spostare, girare prima leggermente il portapunta in una o l'altra direzione e spingere poi di nuovo la leva.

ATTENZIONE:

- Spingere sempre completamente la leva di cambio modalità di funzionamento sulla posizione della modalità desiderata. Se si fa funzionare l'utensile con la leva su una posizione intermedia tra i simboli, lo si potrebbe danneggiare.
- Non usare la leva di cambio modalità di funzionamento mentre l'utensile sta funzionando. Lo si potrebbe danneggiare.

Regolazione della coppia di serraggio (Fig. 7)

La coppia di serraggio può essere regolata in 16 passi girando l'anello di registro in modo da allineare le sue graduazioni con l'indice sul corpo dell'utensile.

Spingere prima la leva di cambio modalità di funzionamento sulla posizione del simbolo .

La coppia di serraggio è minima quando il numero 1 è allineato con l'indice, e massima quando con l'indice è allineato il segno. La frizione scivola a vari livelli di coppia quando è regolata sui numeri da 1 a 16. La frizione è progettata in modo da non slittare al segno. Prima di eseguire un lavoro, avvitare una vite di prova nel materiale o in un duplicato del materiale, in modo da determinare il livello di coppia necessario per quella particolare applicazione.

ATTENZIONE:

- L'anello di regolazione non si blocca quando l'indice è posizionato soltanto su un punto tra le graduazioni.

MONTAGGIO

ATTENZIONE:

Prima di effettuare ogni tipo di lavoro sull'utensile, assicuratevi sempre che essa sia spenta e che la batteria sia rimossa.

Installazione o rimozione della punta dell'avvitatore o del trapano (Fig. 8)


Tenere fermo l'anello e girare il manicotto in senso antiorario per aprire le ganasce del mandrino. Inserire la punta nel mandrino finché non può andare più oltre. Tenere saldamente l'anello e girare il manicotto in senso orario per stringere il mandrino.

Per rimuovere la punta, tenere fermo l'anello e girare il manicotto in senso antiorario.

Quando non si usa la punta dell'avvitatore, tenerla negli appositi contenitori. Essi possono contenere punte di 45 mm di lunghezza. (Fig. 9)

OPERAZIONE

Operazione di avvitamento (Fig. 10)

Spingere prima la leva di cambio modalità di funzionamento sulla posizione del simbolo  e selezionare la coppia di serraggio.

Mettere la punta dell'avvitatore sulla testa della vite ed esercitare una pressione sull'utensile. Avviare l'utensile lentamente, aumentandone poi gradualmente la velocità. Rilasciare l'interruttore non appena la frizione si innesta.


ATTENZIONE:

- Accertarsi che la punta dell'avvitatore sia inserita dritta nella testa della vite, perché altrimenti si potrebbe danneggiare la vite e/o la punta.
- Per avvitare le viti per legno, praticare prima dei fori guida per facilitare l'avvitamento e prevenire lo scheggiamento del pezzo da lavorare. Vedere la tabella sotto.

Diametro nominale vite per legno (mm)	Diametro raccomandato foro guida (mm)
3,1	2,0–2,2
3,5	2,2–2,5
3,8	2,5–2,8
4,5	2,9–3,2
4,8	3,1–3,4
5,1	3,3–3,6
5,5	3,6–3,9
5,8	4,0–4,2
6,1	4,2–4,4

- Se si fa funzionare continuamente l'utensile finché la cartuccia batteria si scarica, lasciarlo riposare per 15 minuti prima di continuare con un'altra batteria.

Operazione di foratura

Spingere prima la leva di cambio modalità di funzionamento sulla posizione del simbolo .

- Foratura del legno
Forando il legno si ottengono i risultati migliori con le punte per legno dotate di viti guida. La vite guida facilita la foratura attirando la punta nel pezzo da lavorare.
- Foratura del metallo

Per evitare che la punta scivoli quando si comincia il foro, fare una intaccatura con un punzone per centri e un martello sul punto da forare. Mettere poi la punta sull'intaccatura e cominciare a forare.

Per forare i metalli, usare un lubrificante di taglio. Le eccezioni sono il ferro e l'ottone, che devono essere trapanati a secco.

ATTENZIONE:

- Esercitando una pressione eccessiva sull'utensile non si accelera la foratura. Al contrario, tale pressione eccessiva può soltanto danneggiare la punta e ridurre le prestazioni e la vita dell'utensile.
- Quando la punta trapassa il materiale, l'utensile/punta vengono sottoposti ad una grandissima forza. Tenere saldamente l'utensile e stare molto attenti quando la punta sta per trapassare il materiale.
- Se la punta rimane incastrata, può essere rimossa usando l'interruttore di inversione per invertire la rotazione della punta per estrarla. L'utensile potrebbe però rinculare improvvisamente se non viene tenuto saldamente.
- Fissare sempre i piccoli pezzi da lavorare con una morsa od altro attrezzo simile per bloccarli.
- Se si fa funzionare continuamente l'utensile finché la cartuccia batteria si scarica, lasciarlo riposare per 15 minuti prima di continuare con un'altra batteria.

Installazione della piastrina di fissaggio (accessorio opzionale)

Installare sempre la piastrina di fissaggio quando si usano le cartucce batteria 9100, 9102, 9102A per Modello 6207D e 1200, 1202, 1202A per Modello 6217D/6317D. Installare la piastrina di fissaggio sull'utensile con la vite fornita. **(Fig. 11)**

MANUTENZIONE

ATTENZIONE:

Prima di cercare di eseguire l'ispezione o la manutenzione, assicuratevi sempre che essa sia spenta e che la batteria sia rimossa.

Sostituzione delle spazzole di carbone

Rimuovere e controllare regolarmente le spazzole di carbone. Sostituirle se sono usurate fino al segno limite. Mantenere sempre le spazzole di carbone pulite e facili da inserire nei portaspazzole. Le spazzole di carbone devono essere sostituite entrambe allo stesso tempo.

Usare soltanto spazzole di carbone identiche. **(Fig. 12)**

Usare un cacciavite per rimuovere i tappi dei portaspazzole. Estrarre le spazzole di carbone usurate, inserire quelle nuove e fissare i tappi dei portaspazzole. **(Fig. 13)**

Per mantenere la SICUREZZA e l'AFFIDABILITÀ del prodotto, le riparazioni e qualsiasi altro intervento di manutenzione o regolazione dovrebbero essere eseguiti da un Centro di Assistenza Makita o da un Centro Autorizzato, sempre utilizzando ricambi Makita.

Verklaring van algemene gegevens

1 Accu	9 Toerentalschakelaar	17 Schroefbit
2 Knop	10 Werkingskeuzehendel	18 Bithouder
3 Oplaadlampje	11 Vergrendelknop	19 Schroef
4 Acculader	12 Stelring	20 Klemplaatje
5 Trekschakelaar	13 Schaalverdelingen	21 Limietstreep
6 Omkeerschakelaar	14 Wijzer	22 Borstelhouderdop
7 Rechtse draairichting	15 Bus	23 Schroevendraaier
8 Linkse draairichting	16 Ring	

TECHNISCHE GEGEVENS

Model	6207D	6217D	6317D	6337D	6347D
Capaciteiten					
Staal	10 mm	10 mm	13 mm	13 mm	13 mm
Hout	25,4 mm	25,4 mm	25,4mm	32 mm	38 mm
Hout Schroef	6 x 75 mm	6 x 75 mm	6 x 75 mm	6 x 75 mm	10 x 89 mm
Kolom Schroef	13 mm	13 mm	13 mm	13 mm	13 mm
Toerental onbelast (min ⁻¹)					
Hoog	0 – 1 300	0 – 1 300	0 – 1 300	0 – 1 300	0 – 1 300
Laag	0 – 400	0 – 400	0 – 400	0 – 400	0 – 400
Totale lengte	233 mm	233 mm	243 mm	243 mm	243 mm
Netto gewicht	1,7 kg	1,9 kg	2,0 kg	2,1 kg	2,4 kg
Nominale spanning	D.C. 9,6V	D.C. 12V	D.C. 12V	D.C. 14,4V	D.C. 18V

- In verband met ononderbroken research en ontwikkeling behouden wij ons het recht voor bovenstaande technische gegevens te wijzigen zonder voorafgaande kennisgeving.
- Opmerking: De technische gegevens kunnen van land tot land verschillen.

Doeleinden van gebruik

Dit gereedschap is bedoeld voor boren en voor het indraaien van schroeven in hout, metaal en kunststof.

Veiligheidswenken

Voor uw veiligheid dient u de bijgevoegde Veiligheidsvoorschriften nauwkeurig op te volgen.

BELANGRIJKE VEILIGHEIDSVOORSCHRIFTEN VOOR GEBRUIK VAN DE BATTERIJLADER EN HET BATTERIJPAK

- BEWAAR DEZE VOORSCHRIFTEN** — In deze gebruiksaanwijzing staan belangrijke veiligheids- en bedieningsvoorschriften betreffende de batterijlader (snellader).
- Lees alle voorschriften en waarschuwingen betreffende (1) de batterijlader, (2) het batterijpak en (3) het gereedschap aandachtig door alvorens de batterijlader in gebruik te nemen.
- LET OP** — Om het gevaar voor ongelukken te verminderen, dient u met de snellader uitsluitend MAKITA oplaadbare batterijen te laden. Batterijen van andere merken kunnen gaan barsten en hierdoor verwondingen of schade veroorzaken.
- Stel de batterijlader niet bloot aan regen of sneeuw.
- Het gebruik van accessoires die niet door de fabrikant van de batterijlader worden verkocht of aanbevolen, kan brandgevaar, elektrische schok of verwondingen veroorzaken.
- Om de stekker en het netsnoer niet te beschadigen, trekt u het netsnoer uit het stopcontact door de stekker vast te pakken.**
- Let op dat het snoer zodanig op de grond ligt, dat niemand erop kan stappen of erover kan struikelen en dat er niets op het snoer geplaatst wordt.**
- Gebruik in geen geval de batterijlader als het netsnoer of de stekker beschadigd is. Vervang deze onmiddellijk.**
- Gebruik de batterijlader ook niet als deze gevallen is, aan een zware stoot heeft blootgestaan, of als u vermoedt dat hij beschadigd is. Laat in deze gevallen de batterijlader eerst nakijken.**
- Haal de batterijlader of het batterijpak niet uit elkaar; laat eventuele servicebeurten of reparaties uitsluitend vakkundig uitvoeren. Het onjuist opnieuw in elkaar zetten kan namelijk elektrische schok of brandgevaar opleveren.**
- Om gevaar voor elektrische schok te verminderen, trekt u de stekker uit het stopcontact alvorens de batterijlader te reinigen of een onderhoudsbeurt te geven. Door de batterijlader alleen maar uit te schakelen, vermindert u dit gevaar niet.**
- De acculader is niet bedoeld voor gebruik door kleine kinderen of geestelijk gestoorde waarop geen toezicht wordt gehouden.**
- Houd toezicht op kleine kinderen om te voorkomen dat ze met de acculader spelen.**
- Als de gebruiksduur van de accu bijzonder kort geworden is, moet u het gebruik ervan onmiddellijk stopzetten omdat er anders gevaar is voor oververhitting, brandwonden en zelfs een explosie.**
- Als er elektrolyt in uw ogen is terechtgekomen, moet u deze spoelen met schoon water en onmiddellijk de hulp van een dokter inroepen. Elektrolyt in de ogen kan blindheid veroorzaken.**

BIJGEVOEGDE VEILIGHEIDSVOORSCHRIFTEN VOOR GEBRUIK VAN DE BATTERIJLADER EN HET BATTERIJPAK

1. Laad het batterijpak niet op als de temperatuur LAGER is dan 10°C of HOGER dan 40°C.
2. Gebruik voor het laden nooit een step-up transformator, een dynamo of een gelijkstroombron.
3. Zorg dat de ventilatiegaten van de batterijlader niet afgesloten worden of verstopt raken.
4. Bedek altijd de polen van de accu met het accudeksel wanneer u de accu niet gebruikt.
5. Voorkom kortsluiting van het batterijpak:
 - (1) Raak de aansluitklemmen nooit aan met geleidend materiaal.
 - (2) Bewaar het batterijpak niet op een plaats waar ook andere metalen voorwerpen zoals spijkers, munten e.d. worden bewaard.
 - (3) Stel het batterijpak niet bloot aan water of regen.Kortsluiting van het batterijpak kan leiden tot een grote stroomafgifte, oververhitting, brandwonden of zelfs tot defecten.
6. Bewaar de batterijlader en het batterijpak niet in plaatsen waar de temperatuur tot 50°C of hoger kan op lopen.
7. Werp zwaar beschadigde of volledig uitgeputte batterijpakken niet in het vuur, omdat een gevaarlijke explosie er het gevolg van kan zijn.
8. Wees voorzichtig dat u het batterijpak niet laat vallen en het niet aan schokken of stoten blootstelt.
9. Laad het batterijpak niet op in een kist, een container e.d. Om het batterijpak op te laden, dient u dit in een goed geventileerde ruimte te plaatsen.

AANVULLENDE VEILIGHEIDSVOORSCHRIFTEN VOOR HET GEREEDSCHAP

1. Denk eraan dat dit gereedschap altijd gebruiksklaar is, omdat het niet op een stopcontact hoeft te worden aangesloten.
2. Houd het gereedschap bij de geïsoleerde handgrepen vast wanneer u boort op plaatsen waar het gereedschap met verborgen elektrische bedrading in aanraking kan komen. Door contact met een onder spanning staande draad, zullen ook de niet-geïsoleerde metalen delen van het gereedschap onder spanning komen te staan en zal de gebruiker een elektrische schok krijgen.
3. Zorg ervoor dat u altijd stevige steun voor de voeten hebt.
4. Controleer of er zich niemand beneden bevindt wanneer u het gereedschap op een hoge plaats gaat gebruiken.
5. Houd het gereedschap stevig vast.
6. Houd uw handen uit de buurt van roterende onderdelen.
7. Laat het gereedschap niet achter terwijl het nog in bedrijf is. Bedien het gereedschap alleen wanneer u het met de handen vasthoudt.
8. Raak de boor of het werkstuk niet aan onmiddellijk na het gebruik; deze kunnen erg heet zijn en brandwonden veroorzaken.

BEWAAR DEZE VOORSCHRIFTEN.

BEDIENINGSVOORSCHRIFTEN

Installeren of verwijderen van de accu (Fig. 1)

- Schakel het gereedschap altijd uit alvorens de accu te installeren of te verwijderen.
- Om de accu te verwijderen, neemt u deze uit het gereedschap terwijl u de knoppen aan beide zijden van de accu indrukt.
- Om de accu te installeren, past u de rug op de accu in de groef in de behuizing van het gereedschap, en dan schuift u de accu naar binnen. Schuif de accu zo ver mogelijk erin, totdat deze met een klikgeluid vergrendelt. Indien u dit niet doet, kan de accu per ongeluk uit het gereedschap vallen en uzelf of anderen verwonden.
- Als de accu moeilijk in de houder gaat, moet u niet proberen hem met geweld erin te duwen. Indien de accu er niet gemakkelijk ingaat, betekent dit dat u hem niet op de juiste wijze erin steekt.

Laden (Fig. 2)

1. Sluit de acculader aan op een stopcontact van de geschikte spanning. Het oplaadlampje zal groen knipperen.
2. Plaats de accu in de acculader zodat de plus en min klemmen van de accu overeenkomen met de plus en min markeringen op de hoogvermogen-acculader. Steek de accu zo ver mogelijk erin zodat deze op de bodem van de acculaderopening rust.
3. Wanneer de accu erin zit, zal de kleur van het oplaadlampje veranderen van groen naar rood en zal het opladen beginnen. Tijdens het opladen zal het oplaadlampje blijven branden.
4. Wanneer de kleur van het oplaadlampje verandert van rood in groen, is het opladen voltooid.
5. Wanneer u een volledig opgeladen accu in de lader laat zitten, zal de lader overschakelen naar de "bijladen (handhaven van de lading)" stand en ongeveer 24 uur in deze stand blijven staan.
6. Trek de stekker van de lader uit het stopcontact nadat het opladen is voltooid.

LET OP:

- De acculader is uitsluitend bestemd voor het laden van Makita accus. Gebruik deze nooit voor andere doeleinden of voor het laden van accus van andere fabrikanten.
- Een nieuw accu of een accu dat gedurende lange tijd niet werd gebruikt, kan eventueel niet volledig worden geladen. Dit is normaal en duidt niet op een defect. Nadat de accu een paar keer volledig is ontladen, kunt u het weer volledig laden.
- Wanneer u de accu van een zwaar gereedschap laadt, of een accu die voor langere tijd aan direct zonlicht of hitte werd blootgesteld, gebeurt het wel eens dat het laadcontrolelampje in rood knippert. Wacht in zo'n geval een tijdje. Het laden zal beginnen nadat de accu is afgekoeld. De accu zal sneller afkoelen indien u hem van de hoogvermogen-acculader verwijdert.
- Indien het laadcontrolelampje afwisselend in groen en rood knippert, wijst dit op een probleem en is laden niet mogelijk. De klemmen op de acculader of op de accu zijn vuil of de accu is versleten of beschadigd.

Bijladen (Handhaven van de lading)

Wanneer u een volledig opgeladen accu in de lader laat zitten om spontaan ontladen te voorkomen, zal de lader overschakelen naar de "Bijladen (Handhaven van de lading)" stand waardoor de accu vers en in volledig opgeladen toestand wordt gehouden.

Wenken om een maximale levensduur van de accu te handhaven

1. Laad de accu op alvorens deze volledig is ontladen. Stop het gebruik van het gereedschap en laad de accu op telkens wanneer u vaststelt dat het vermogen van het gereedschap verminderd is.
2. Laad een volledig opgeladen accu nooit opnieuw op. Wanneer u de accu te veel oplaadt, zal deze minder lang meegaan.
3. Laad de accu op bij een kamertemperatuur tussen 10°C en 40°C. Laat een warme accu afkoelen alvorens deze op te laden.
4. Laad de nikkel-metaalhydride accu op wanneer u deze langer dan zes maanden niet gebruikt.

Zie de onderstaande tabel voor de oplaadtijden.

Model van batterijpak	Capaciteit (mAh)	Aantal cellen	Oplaadtijd
9122	2 000	8	ca. 45 min.
9133	2 200	8	ca. 50 min.
9134	2 600	8	ca. 60 min.
9135	3 000	8	ca. 70 min.
1222	2 000	10	ca. 45 min.
1233	2 200	10	ca. 50 min.
1234	2 600	10	ca. 60 min.
1235	3 000	10	ca. 70 min.
1422	2 000	12	ca. 45 min.
1433	2 200	12	ca. 50 min.
1434	2 600	12	ca. 60 min.
1435	3 000	12	ca. 70 min.
1822	2 000	15	ca. 45 min.
1833	2 200	15	ca. 50 min.
1834	2 600	15	ca. 60 min.
1835	3 000	15	ca. 70 min.

Werkning van de trekschakelaar (Fig. 3)

LET OP:

Alvorens de accu in het gereedschap te plaatsen, moet u altijd controleren of de trekschakelaar juist werkt en bij het loslaten naar de "OFF" positie terugkeert.

Om het gereedschap in te schakelen, drukt u gewoon de trekschakelaar in. Hoe dieper de trekschakelaar wordt ingedrukt, hoe sneller het gereedschap draait. Om het gereedschap uit te schakelen, de trekschakelaar loslaten.

Werkning van de omkeerschakelaar (Fig. 4)

Dit gereedschap heeft een omkeerschakelaar voor het veranderen van de draairichting. Druk de omkeerschakelaar in vanaf zijde A voor rechtse draairichting, of vanaf zijde B voor linkse draairichting. Wanneer deze schakelaar in de neutrale stand staat, kan de trekschakelaar niet worden ingedrukt.

LET OP:

- Controleer altijd de draairichting alvorens het gereedschap te gebruiken.
- Verander de stand van de omkeerschakelaar alleen nadat het gereedschap volledig tot stilstand is gekomen. Indien u de draairichting verandert terwijl de boor nog draait, kan het gereedschap beschadigd raken.
- Zet de omkeerschakelaar altijd in de neutrale stand wanneer u het gereedschap niet gebruikt.

Veranderen van het toerental (Fig. 5)

Om het toerental te veranderen, schakelt u eerst het gereedschap uit en dan schuift u de toerentalschakelaar naar de "2" zijde voor hoog toerental, of naar de "1" zijde voor laag toerental. Zorg ervoor dat de toerentalschakelaar in de juiste stand staat alvorens met het werk te beginnen. Gebruik het toerental dat geschikt is voor uw werk.

LET OP:

- Schuif de toerentalschakelaar altijd volledig naar de juiste positie. Als u het gereedschap gebruikt met de toerentalschakelaar halverwege tussen de "1" en "2" posities, kan het gereedschap beschadigd raken.
- Verschuif de toerentalschakelaar niet terwijl het gereedschap draait. Hierdoor kan het gereedschap beschadigd raken.

Kiezen van de gewenste werking (Fig. 6)


Dit gereedschap heeft een werkingskeuzehendel. Om te boren, drukt u de vergrendelknop in en daarna schuift u de werkingskeuzehendel naar links (☐ symbol). Om te schroeven, schuift u de werkingskeuzehendel naar rechts (☐ symbol) totdat deze vergrendelt. Als de hendel niet gemakkelijk verschuift, moet u de boorkop eerst een beetje naar links of naar rechts draaien en daarna opnieuw proberen om de hendel te verschuiven.

LET OP:

- Schuif de werkingskeuzehendel altijd volledig naar de gewenste positie. Als u het gereedschap gebruikt met de werkingskeuzehendel halverwege tussen de twee symbolen geplaatst, kan het gereedschap beschadigd raken.
- Verander de stand van de werkingskeuzehendel niet terwijl het gereedschap draait. Als u dit doet, kan het gereedschap beschadigd raken.

Instellen van het draaimoment (Fig. 7)

Het draaimoment kan worden ingesteld in 16 stappen door de stelling zodanig te draaien dat zijn schaalverdelingen overeenkomen met de wijzer op het huis van het gereedschap.

Schuif eerst de werkingskeuzehendel naar de positie van het  symbool.

Het draaimoment is minimaal wanneer het cijfer 1 met de wijzer overeenkomt, en is maximaal wanneer de markering met de wijzer overeenkomt. Wanneer de stelling op een cijfer van 1 tot 16 is ingesteld, zal de koppeling bij verschillende draaimomentniveaus slippen. De koppeling is ontworpen om niet te slippen bij de markering. Alvoorens met het eigenlijke werk te beginnen, moet u het geschikte draaimoment bepalen door een proefschroef in uw werkstuk of in een ander stuk van hetzelfde materiaal te schroeven.

LET OP:

- De stelling vergrendelt niet wanneer de wijzer halverwege tussen de schaalverdelingen is geplaatst.

INEENZETTEN

LET OP:

Controleer altijd of het gereedschap is uitgeschakeld en de accu is losgekoppeld vooraleer onderhoud uit te voeren aan het gereedschap.

Installeren of verwijderen van de schroefbit of boor (Fig. 8)


Houd de ring vast en draai de bus naar links om de klauwen van de boorkop te openen. Steek de boor zo ver mogelijk in de boorkop. Houd daarna de ring weer stevig vast en draai de bus naar rechts om de boorkop vast te zetten.

Om de boor te verwijderen, houdt u de ring vast en draait u de bus naar links.

Plaats de schroefbit in de bithouder wanneer u hem niet gebruikt. Bits met een maximale lengte van 45 mm kunnen daar worden opgeborgen. (Fig. 9)

BEDIENING

Indraaien van schroeven (Fig. 10)

Schuif eerst de werkingskeuzehendel naar de positie van het  symbool en kies het geschikte draaimoment.

Plaats de punt van de schroefbit in de schroefkop en oefen druk op het gereedschap uit. Begin met lage snelheid en voer dan de snelheid geleidelijk op. Laat de trek-schakelaar los zodra de koppeling ingrijpt.

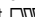
LET OP:

- Zorg ervoor dat u de schroefbit recht op de schroefkop plaatst, aangezien anders de schroef en/of de schroefbit beschadigd kan worden.
- Wanneer u houtschroeven indraait, maak dan voorboorgaten in het hout. Dit vergemakkelijkt het inschroeven en voorkomt dat het hout splijt. Zie de onderstaande tabel.

Nominale diameter van houtschroef (mm)	Aanbevolen diameter van voorboorgat (mm)
3,1	2,0–2,2
3,5	2,2–2,5
3,8	2,5–2,8
4,5	2,9–3,2
4,8	3,1–3,4
5,1	3,3–3,6
5,5	3,7–3,9
5,8	4,0–4,2
6,1	4,2–4,4

- Indien het gereedschap ononderbroken wordt gebruikt totdat de accu is ontladen, dient u het gereedschap 15 minuten te laten rusten alvorens met een nieuwe accu verder te werken.

Boren

Schuif eerst de werkingskeuzehendel naar de positie van het  symbool.

- Boren in hout
Voor boren in hout krijgt u de beste resultaten met houtboren die voorzien zijn van een geleideschroef. Het boren gaat dan gemakkelijker aangezien de geleideschroef de boor in het hout trekt.
- Boren in metaal
Om te voorkomen dat de boor slijt wanneer u begint te boren, moet u van te voren met een drevel een deukje in het metaal slaan op de plaats waar u wilt boren. Plaats vervolgens de boorpunt in het deukje en start het boren.
Gebruik altijd boorolie wanneer u in metaal boort. De enige uitzonderingen zijn ijzer en koper die droog geboord dienen te worden.

LET OP:

- Door overmatige druk op het gereedschap uit te oefenen verloopt het boren niet sneller. Integendeel, teveel druk op het gereedschap zal alleen maar de boorpunt beschadigen, de prestatie van het gereedschap verminderen en de gebruiksduur verkorten.
- Wanneer de boor uit het gaatje tevoorschijn komt, wordt een enorme kracht uitgeoefend op het gereedschap en op de boor. Houd daarom het gereedschap stevig vast en wees op uw hoede wanneer de boor door het werkstuk begint te dringen.
- Wanneer de boor klemraakt, keert u met de omkeerschakelaar de draairichting om, om de boor uit het gaatje te krijgen. Het gereedschap kan echter plotseling terugspringen indien u het niet stevig vasthoudt.
- Kleine werkstukken dient u altijd eerst vast te zetten in een klemmschroef of iets dergelijks.

- Indien het gereedschap ononderbroken wordt gebruikt totdat de accu is ontladen, dient u het gereedschap 15 minuten te laten rusten alvorens met een nieuwe accu verder te werken.

Installeren van het klemplaatje (Los verkrijgbaar accessoire)

Installeer altijd het klemplaatje wanneer u accu's 9100, 9102, 9102A voor Model 6207D en 1200, 1202, 1202A voor Model 6217D/6317D gebruikt. Monteer het klemplaatje door middel van de bijgeleverde schroef op het gereedschap. (Fig. 11)

ONDERHOUD

LET OP:

Controleer altijd of het gereedschap is uitgeschakeld en de accu is losgekoppeld voordat u begint met inspectie of onderhoud.

Vervangen van koolborstels

Verwijder en controleer regelmatig de koolborstels. Vervang de koolborstels wanneer ze tot aan de limietmarkering versleten zijn. Houd de koolborstels schoon, zodat ze gemakkelijk in de houders glijden. Beide koolborstels dienen gelijktijdig te worden vervangen. Gebruik uitsluitend gelijksoortige koolborstels. (Fig. 12)

Gebruik een schroevendraaier om de kappen van de koolborstelhouders te verwijderen. Haal de versleten koolborstels eruit, schuif de nieuwe erin, en zet daarna de kappen weer goed vast. (Fig. 13)

Om de VEILIGHEID en BETROUWBAARHEID van het gereedschap te verzekeren, dienen alle reparaties, onderhoudsbeurten of afstellingen te worden uitgevoerd bij een erkend Makita Servicecentrum of Fabriekservicecentrum, en dit uitsluitend met gebruik van Makita vervangingsonderdelen.

Explicación de los dibujos

1	Cartucho de batería	9	Conmutador de cambio de velocidad	16	Anillo
2	Botón			17	Implemento de atornillar
3	Luz de carga	10	Palanca de cambio del modo de accionamiento	18	Portaimplemento
4	Cargador de baterías	11	Botón de bloqueo	19	Tornillo
5	Interruptor de gatillo	12	Anillo de ajuste	20	Placa de fijación
6	Conmutador de inversión	13	Graduaciones	21	Marca límite
7	Rotación hacia la derecha	14	Puntero	22	Tapón portaescobillas
8	Rotación hacia la izquierda	15	Mandril	23	Destornillador

ESPECIFICACIONES

Modelo	6207D	6217D	6317D	6337D	6347D
Capacidades					
Acero	10 mm	10 mm	13 mm	13 mm	13 mm
Madera	25,4 mm	25,4 mm	25,4mm	32 mm	38 mm
Tornillo para madera	6 x 75 mm	6 x 75 mm	6 x 75 mm	6 x 75 mm	10 x 89 mm
Tornillo para máquina	13 mm	13 mm	13 mm	13 mm	13 mm
Velocidad en vacío (min ⁻¹)					
Alta	0 – 1.300	0 – 1.300	0 – 1.300	0 – 1.300	0 – 1.300
Baja	0 – 400	0 – 400	0 – 400	0 – 400	0 – 400
Longitud total	233 mm	233 mm	243 mm	243 mm	243 mm
Peso neto	1,7 kg	1,9 kg	2,0 kg	2,1 kg	2,4 kg
Tensión nominal	CC 9,6 V	CC 12 V	CC 12 V	CC 14,4 V	CC 18 V

• Debido a un programa continuo de investigación y desarrollo, las especificaciones aquí dadas están sujetas a cambios sin previo aviso.

• Nota: Las especificaciones pueden ser diferentes de país a país.

Uso previsto

La herramienta se utiliza para taladrar y atornillar en madera, metal y plástico.

Sugerencias de seguridad

Para su propia seguridad, consulte las instrucciones de seguridad incluidas.

INSTRUCCIONES DE SEGURIDAD IMPORTANTES PARA EL CARGADOR Y EL CARTUCHO DE BATERÍAS

- 1. GUARDE ESTAS INSTRUCCIONES** — Este manual contiene instrucciones de operación y de seguridad importantes para el cargador de baterías.
- Antes de utilizar el cargador de baterías, lea todas las instrucciones y las indicaciones de precaución (1) del cargador de baterías, (2) de baterías, y (3) del producto que con el que se va a utilizar baterías.
- 3. PRECAUCIÓN** — Para reducir el peligro de que se produzcan heridas personales, cargue solamente las baterías recargables del tipo MAKITA. Otros tipos de baterías pueden quemarse pudiendo provocar heridas personales y daños.
- No exponga el cargador a la lluvia o al agua.
- La utilización de un acoplamiento no recomendado o no vendido por un fabricante de cargadores de baterías puede resultar provocar un incendio, una descarga eléctrica o heridas personales.

- 6. Para reducir el peligro de que el enchufe y el cable reciban daños, tire del enchufe y no del cable cuando desconecte el cargador.**
- 7. Asegúrese de que el cable esté localizado de manera que no se tropiece con él ni se pise, y que no esté sujeto a tirones ni otros tipos de daños.**
- 8. No opere el cargador que tenga el cable o el enchufe dañados; reemplácelos inmediatamente.**
- 9. No opere el cargador en el caso de que haya recibido un golpe, se haya caído o esté defectuoso; llévelo a un lugar donde se le pueda practicar un servicio de mantenimiento cualificado.**
- 10. No desmonte el cargador o el cartucho de baterías; cuando se requiera la reparación llévelo a un lugar donde se le pueda practicar un servicio de mantenimiento cualificado. Un montaje incorrecto puede resultar en que se produzca un incendio o una descarga eléctrica.**
- 11. Para reducir el peligro de que se produzca una descarga eléctrica, desenchufe el cargador de la toma de alimentación antes de efectuar el servicio de mantenimiento o la limpieza. El desconectar los controles no reducirá este peligro.**
- 12. El cargador de baterías no ha sido pensado para ser usado por niños ni menores sin ser supervisados.**
- 13. Los padres deberán supervisar a sus hijos pequeños para asegurarse de que no juegan con el cargador de baterías.**
- 14. Si el tiempo de funcionamiento se acorta excesivamente, pare la operación inmediatamente. Podría resultar en un riesgo de recalentamiento, posibles quemaduras e incluso una explosión.**
- 15. Si entra electrolito en sus ojos, aclárelos con agua limpia y solicite atención médica enseguida. Podría resultar en la pérdida de la vista.**

NORMAS DE SEGURIDAD ADICIONALES PARA EL CARGADOR Y EL CARTUCHO DE BATERIAS

1. No cargue el cartucho de baterías cuando la temperatura esté por DEBAJO de los 10°C o por ENCIMA de los 40°C.
2. No utilice un transformador elevador de tensión, un generador con motor o un receptáculo de alimentación de CC.
3. No cubra ni obstruya las rejillas de ventilación del cargador con ningún objeto.
4. Cubra siempre los bornes de baterías con la tapa correspondiente cuando no se esté usando el cartucho de baterías.
5. No cortocircuite el cartucho de baterías:
 - (1) No toque los terminales con ningún material conductor.
 - (2) Evite guardar el cartucho de baterías en un recipiente que contenga otros objetos de metal tales como clavos, monedas, etc.
 - (3) No exponga el cartucho de baterías al agua o a la lluvia.

Un cortocircuito de baterías puede producir una gran circulación de corriente, un sobrecalentamiento, posibles quemaduras o incluso una rotura.
6. No almacene la herramienta ni el cartucho de baterías en lugares donde la temperatura pueda alcanzar o exceder los 50°C.
7. Nunca quemé el cartucho de baterías incluso en el caso de que esté dañado seriamente, ni cuando esté gastado. El cartucho de baterías podrá explotar cuando se tire al fuego.
8. Tenga cuidado para no dejar caer, sacudir o golpear la batería.
9. No la cargue en el interior de una caja o recipiente de cualquier clase. La batería deberá ponerse en un lugar bien ventilado durante la carga.

NORMAS DE SEGURIDAD ADICIONALES PARA LA HERRAMIENTA

1. Tenga en cuenta que esta herramienta está siempre en condición de funcionamiento, porque no hay que enchufarla a una toma de corriente eléctrica.
2. Cuando realice una operación donde la herramienta pueda entrar en contacto con cables eléctricos ocultos o con su propio cable de alimentación, sujete la herramienta por las superficies de aislamiento aisladas. Si toca un cable con corriente, la corriente se transmitirá a las superficies metálicas expuestas de la herramienta y podrá sufrir una descarga eléctrica.
3. Asegúrese siempre de que el piso bajo sus pies sea firme.
4. Asegúrese de que no haya nadie debajo cuando utilice la herramienta en posiciones altas.
5. Sujete firmemente la herramienta.
6. Mantenga las manos alejadas de las piezas giratorias.
7. No deje la herramienta funcionando. Téngala funcionando solamente cuando la sujete con las manos.

8. No toque la broca o la pieza de trabajo inmediatamente después de haber trabajado con ellas; podrían estar muy calientes y producirle quemaduras en la piel.

GUARDE ESTAS INSTRUCCIONES.

INSTRUCCIONES PARA EL FUNCIONAMIENTO

Instalación o extracción del cartucho de batería (Fig. 1)

- Antes de insertar o retirar el cartucho de batería, asegúrese siempre de desconectar la herramienta.
- Para retirar el cartucho de batería, sáquelo de la herramienta mientras presiona los botones a cada lado del mismo.
- Para insertar el cartucho de batería, alinee la lengüeta del cartucho de batería con la acanaladura en el alojamiento y deslícelo hasta alojarlo en su lugar. Insértelo siempre a fondo hasta que quede bloqueado produciendo un ligero chasquido. En caso contrario, podría caerse accidentalmente de la herramienta y causarle heridas a usted o a alguien que se encuentre cerca de usted.
- No fuerce la introducción del cartucho de batería. Si el cartucho no se desliza hacia dentro fácilmente, quiere decir que no está siendo insertado correctamente.

Carga (Fig. 2)

1. Enchufe el cargador de baterías en una toma de corriente de CA apropiada. La luz de carga parpadeará en color verde.
2. Inserte el cartucho de batería de forma que los terminales más y menos del mismo coincidan con las marcas respectivas del cargador de baterías de alta capacidad. Inserte el cartucho a tope en el receptáculo de forma que asiente en el fondo del receptáculo del cargador.
3. Cuando haya insertado el cartucho de batería, el color de la luz de carga cambiará de verde a rojo y se iniciará la carga. La luz de carga se mantendrá encendida continuamente durante la carga.
4. Cuando el color de la luz de carga cambie de rojo a verde, se habrá completado el ciclo de carga.
5. Si deja el cartucho de batería en el cargador después de que se haya completado el ciclo de carga, el cargador cambiará a su modo de "carga lenta (carga de mantenimiento)" que durará aproximadamente 24 horas.
6. Después de finalizada la carga, desenchufe el cargador de la toma de corriente.

PRECAUCIÓN:

- El cargador de batería es para cargar el cartucho de batería Makita. No lo utilice nunca con otro propósito o para cargar baterías de otros fabricantes.
- Cuando cargue un cartucho de batería nuevo o uno que no haya sido utilizado durante mucho tiempo, será posible que no pueda cargarse completamente. Esta es una condición normal y no indica ningún tipo de problema. Podrá volver a cargarlo completamente después de descargarlo en su totalidad y volverlo a cargar unas cuantas veces.

- Si carga un cartucho de batería que acabe de retirar de una herramienta que justo entonces acaba de operar o uno que ha estado expuesto a la luz solar directa o calor durante mucho tiempo, la luz de carga podrá parpadear en color rojo. Si se diera el caso, espere algún tiempo. El cartucho de batería se enfriará más rápidamente si lo saca del cargador de baterías de alta capacidad.
- Si la luz de carga parpadea alternativamente en verde y rojo, existirá algún problema y no se podrá cargar. Los bornes en el cargador o en el cartucho de batería estarán sucios de polvo o el cartucho podrá estar inservible o estropeado.

Carga continua y lenta (carga de mantenimiento)

Si deja el cartucho de batería en el cargador para evitar que se descargue espontáneamente después de haberlo cargado completamente, el cargador se cambiará a su modo de "carga continua y lenta (carga de mantenimiento)" y mantendrá el cartucho de batería fresco y completamente cargado.

Consejos para alargar al máximo la vida de servicio de la batería

1. Cargue el cartucho de batería antes de que se descargue completamente.
Pare la herramienta y cargue el cartucho de batería siempre que note que se debilita la potencia de la herramienta.
2. Nunca cargue un cartucho de batería que esté completamente cargado.
El exceso de carga acorta la vida de servicio de la batería.
3. Cargue el cartucho de batería a una temperatura ambiente de 10°C – 40°C.
Deje que el cartucho de batería se enfríe antes de cargarlo.
4. Cargue el cartucho de batería de hidruro metálico de níquel cuando no lo utilice durante más de seis meses.

Per il tempo di carica, riferirsi alla tabella sotto.

Tipo de batería	Capacidad (mAh)	Número de celdas	Tiempo de carga (aprox.)
9122	2.000	8	45 min.
9133	2.200	8	50 min.
9134	2.600	8	60 min.
9135	3.000	8	70 min.
1222	2.000	10	45 min.
1233	2.200	10	50 min.
1234	2.600	10	60 min.
1235	3.000	10	70 min.
1422	2.000	12	45 min.
1433	2.200	12	50 min.
1434	2.600	12	60 min.
1435	3.000	12	70 min.
1822	2.000	15	45 min.
1833	2.200	15	50 min.
1834	2.600	15	60 min.
1835	3.000	15	70 min.

Accionamiento del interruptor (Fig. 3)

PRECAUCIÓN:

Antes de insertar el cartucho de batería, compruebe siempre para ver si el interruptor de gatillo se acciona correctamente y regresa a la posición "OFF" cuando se libera.

Para encender la herramienta, simplemente presione el gatillo. La velocidad de la herramienta aumenta incrementando la presión ejercida en el gatillo. Suelte el gatillo para parar.

Accionamiento del conmutador de inversión (Fig. 4)

Esta herramienta tiene un conmutador de inversión para cambiar la dirección de rotación. Presione el conmutador de inversión del lado A para que gire hacia la derecha o del lado B para que gire hacia la izquierda. Cuando el conmutador de inversión esté en la posición neutra, el interruptor de gatillo no podrá ser accionado.

PRECAUCIÓN:

- Compruebe siempre la dirección de rotación antes de realizar la operación de trabajo.
- Emplee el conmutador de inversión sólo después de que la herramienta esté completamente parada. Si cambia la dirección de rotación antes de que la herramienta se pare podrá dañarla.
- Cuando no esté utilizando la herramienta, ponga siempre el conmutador de inversión en la posición neutra.

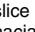

Cambio de velocidad (Fig. 5)

Para cambiar de velocidad, primeramente apague la herramienta y deslice el conmutador de cambio de velocidad hacia el lado de la marca "2" para velocidad alta, o hacia el lado de la marca "1" para velocidad baja. Asegúrese de que el conmutador de cambio de velocidad esté correctamente posicionado antes de efectuar la operación de trabajo. Utilice la velocidad correcta para su trabajo.

PRECAUCIÓN:

- Ponga siempre el conmutador de cambio de velocidad completamente en la posición correcta. Si opera la herramienta con el conmutador de cambio de velocidad a media distancia entre el lado "2" y el lado "1", la herramienta podría dañarse.
- No utilice el conmutador de cambio de velocidad cuando la herramienta esté funcionando. La herramienta podría dañarse.

Selección del modo de accionamiento (Fig. 6)

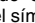
Esta herramienta tiene una palanca de cambio del modo de accionamiento. Para taladrar, presione hacia dentro el botón de bloqueo y después deslice la palanca de cambio del modo de accionamiento hacia la izquierda (símbolo ). Para atornillar, deslice la palanca de cambio del modo de accionamiento hacia la derecha (símbolo ) hasta que se bloquee. Si resulta difícil girar la palanca, gire primero el mandril ligeramente en cualquier dirección y después vuelva a girar la palanca.

PRECAUCIÓN:

- Deslice siempre la palanca de cambio del modo de accionamiento a tope hasta la posición del modo deseado. Si utiliza la herramienta con la palanca puesta a medias entre los símbolos de modo, la herramienta podrá dañarse.
- No utilice la palanca de cambio del modo de accionamiento mientras la herramienta esté funcionando. La herramienta podría dañarse.

Ajuste del par de apriete (Fig. 7)

El par de apriete puede ajustarse en 16 pasos diferentes girando el anillo de ajuste de forma que sus graduaciones queden alineadas con el puntero marcado en la herramienta.

Primero, deslice la palanca de cambio del modo de accionamiento a la posición del símbolo .

El par de apriete será mínimo cuando el número 1 esté alineado con el puntero, y máximo cuando esté alineada la marca. El embrague patinará a varios niveles de par de torsión cuando esté posicionado en los números 1 a 16. El embrague está diseñado para que no patine en la marca. Antes de efectuar la operación de trabajo real, atornille un tornillo de prueba en el material que esté trabajando o en una pieza del mismo material para determinar el par de torsión requerido para ese trabajo en particular.

PRECAUCIÓN:

- El anillo de ajuste no se bloquea cuando el puntero está puesto sólo a medias entre las graduaciones.

MONTAJE

PRECAUCIÓN:

Asegúrese siempre de que la herramienta está apagada y de que el cartucho de baterías está quitado antes de realizar cualquier trabajo en la herramienta.

Instalación o extracción del implemento de atornillar o broca (Fig. 8)


Sujete el anillo y gire el mandril hacia la izquierda para abrir las mandíbulas del cabezal. Coloque la broca en el cabezal introduciéndola hasta que llegue al fondo. Sujete firmemente el anillo y gire el mandril hacia la derecha para apretar el cabezal.

Para extraer la broca, sujete el anillo y gire el mandril hacia la izquierda.

Cuando no esté utilizando el implemento de atornillar, póngalo en el portaimplemento. En él se pueden poner implementos de 45 mm de largo. (Fig. 9)

OPERACIÓN

Operación de atornillamiento (Fig. 10)

Primero, deslice la palanca de cambio del modo de accionamiento a la posición del símbolo  y seleccione la torsión de apriete.

Coloque la punta del implemento de atornillar en la cabeza del tornillo y aplique presión a la herramienta. Ponga la herramienta en marcha lentamente y luego aumente la velocidad poco a poco. Suelte el gatillo tan pronto como el embrague incida.


PRECAUCIÓN:

- Asegúrese de que el implemento de atornillar esté insertado en línea recta en la cabeza del tornillo, o el tornillo y/o el implemento podrían dañarse.
- Cuando atornille tornillos para madera, taladre agujeros piloto previamente para que le resulte más fácil taladrar y prevenir que se abra la pieza de trabajo. Consulte el cuadro de abajo.

Diámetro nominal del tornillo para madera (mm)	Diámetro recomendado del agujero piloto (mm)
3,1	2,0–2,2
3,5	2,2–2,5
3,8	2,5–2,8
4,5	2,9–3,2
4,8	3,1–3,4
5,1	3,3–3,6
5,5	3,6–3,9
5,8	4,0–4,2
6,1	4,2–4,4

- Si hace funcionar la herramienta continuamente hasta que se descargue el cartucho de batería, deje que la herramienta descansa durante 15 minutos antes de continuar con una batería fresca.

Operación de taladrado

Primero, deslice la palanca de cambio del modo de accionamiento a la posición del símbolo .

• Para taladrar madera

Cuando se taladre madera, los mejores resultados se obtendrán con brocas para madera equipadas con tornillo guía. El tornillo guía facilita el taladrado al tirar de la broca hacia el interior de la pieza de trabajo.

• Para taladrar metal

Para evitar que la broca resbale al comenzar a taladrar, haga una mella con un punzón y martillo en el punto donde vaya a taladrar. Coloque la punta de la broca en la mella y comience a taladrar. Emplee un lubricante para operaciones de corte cuando taladre metales. Las excepciones son acero y latón que deberán ser taladrados en seco.

PRECAUCIÓN:

- Con ejercer una presión excesiva sobre la herramienta no conseguirá taladrar más de prisa. De hecho, esta presión excesiva sólo servirá para dañar la punta de la broca, disminuir el rendimiento de la herramienta y acortar su vida útil.
- Al momento de comenzar a agujerear se ejerce una fuerza tremenda sobre la herramienta/broca. Sujete la herramienta firmemente y tenga cuidado cuando la broca comience a penetrar en la pieza de trabajo.
- Una broca que se haya bloqueado podrá sacarse simplemente poniendo el conmutador de inversión en rotación inversa para retroceder. Sin embargo, la herramienta podría retroceder bruscamente si no la sujetase firmemente.
- Sujete siempre las piezas de trabajo pequeñas en un tornillo de banco o herramienta de sujeción similar.
- Si hace funcionar la herramienta continuamente hasta que se descargue el cartucho de batería, deje que la herramienta descanse durante 15 minutos antes de continuar con una batería fresca.

Instalación de la placa de fijación (accesorio opcional)

Instale siempre la placa de fijación cuando utilice el cartucho de batería 9100, 9102, 9102A para Modelo 6207D y 1200, 1202, 1202A para Modelo 6217D/6317D. Instálela en la herramienta con el tornillo suministrado. (Fig. 11)

MANTENIMIENTO

PRECAUCIÓN:

Asegúrese siempre de que la herramienta está apagada y de que el cartucho de baterías está quitado antes de intentar hacer una inspección o mantenimiento.

Substitución de las escobillas de carbón

Extraiga e inspeccione regularmente las escobillas de carbón. Sustitúyalas cuando se hayan gastado hasta la marca límite. Mantenga las escobillas de carbón limpias de forma que entren libremente en los portaescobillas. Ambas escobillas de carbón deberán ser sustituidas al mismo tiempo. Utilice únicamente escobillas de carbón idénticas. (Fig. 12)

Utilice un destornillador para quitar los tapones portaescobillas. Extraiga las escobillas desgastadas, inserte las nuevas y fije los tapones portaescobillas. (Fig. 13)

Para mantener la SEGURIDAD y FIABILIDAD del producto, las reparaciones, y otras tareas de mantenimiento o ajuste deberán ser realizadas en Centros Autorizados o Servicio de Fábrica de Makita, empleando siempre repuestos Makita.

PORTUGUÊS

Explicação geral

1	Bateria	9	Selector de velocidade	16	Anel
2	Botão	10	Alavanca de mudança de modo de acção	17	Broca
3	Luz de carga	11	Botão de bloqueio	18	Suporte da broca
4	Carregador de bateria	12	Anel de regulação	19	Parafuso
5	Gatilho do interruptor	13	Graduações	20	Placa de apoio
6	Comutador de inversão	14	Indicador	21	Marca limite
7	Para a direita	15	Manga	22	Tampa do porta escovas
8	Para a esquerda			23	Chave de parafusos

ESPECIFICAÇÕES

Modelo	6207D	6217D	6317D	6337D	6347D
Capacidades					
Aço	10 mm	10 mm	13 mm	13 mm	13 mm
Madeira	25,4 mm	25,4 mm	25,4mm	32 mm	38 mm
Parafuso para madeira	6 x 75 mm	6 x 75 mm	6 x 75 mm	6 x 75 mm	10 x 89 mm
Parafuso de rosca fina	13 mm	13 mm	13 mm	13 mm	13 mm
Velocidade em vazio (min⁻¹)					
Alta	0 – 1.300	0 – 1.300	0 – 1.300	0 – 1.300	0 – 1.300
Baixa	0 – 400	0 – 400	0 – 400	0 – 400	0 – 400
Comprimento total	233 mm	233 mm	243 mm	243 mm	243 mm
Peso	1,7 kg	1,9 kg	2,0 kg	2,1 kg	2,4 kg
Voltagem nominal	9,6 V C.C	12 V C.C	12 V C.C	14,4 V C.C	18 V C.C

- Devido a um programa contínuo de pesquisa e desenvolvimento, estas especificações podem ser alteradas sem aviso prévio.
- Nota: As especificações podem variar de país para país.

Utilização pretendida

A ferramenta é utilizada para perfuração e aparafusamento em madeira, metal e plástico.

Conselhos de segurança

Para sua segurança, leia as instruções anexas.

INSTRUÇÕES DE SEGURANÇA IMPORTANTES PARA O CARREGADOR E BATERIA

1. **GUARDE ESTAS INSTRUÇÕES** — Este manual contém importantes normas de segurança e de funcionamento do carregador e da bateria.
2. Antes de utilizar o carregador leia todas as instruções e recomendações (1) do carregador da bateria, (2) da bateria e (3) da ferramenta.
3. **PRECAUÇÃO** — Para prevenir o risco de acidentes, carregue só as baterias recarregáveis MAKITA. Outros tipos de baterias poderão explodir e causar danos pessoais e materiais.
4. Não exponha o carregador à chuva ou à neve.
5. Se utilizar um acoplamento que não seja recomendado ou vendido pelo fabricante do carregador da bateria, poderá provocar um incêndio, um choque eléctrico ou danos pessoais.
6. Para não danificar a ficha e o cabo, quando desligar o carregador puxe apenas pela ficha.
7. Verifique se o cabo está colocado em local onde não tropece nele nem o pise, e também onde não fique sujeito a puxões ou outros tipos de danos.
8. Não ligue à corrente um carregador que tenha o cabo ou a ficha danificados. Substitua-os imediatamente.

9. **Não utilize um carregador que tenha levado uma pancada, tenha caído ou esteja danificado ; leve-o a um serviço de assistência oficial.**
10. **Não desmonte o carregador ou a bateria; quando for necessária uma reparação leve-os a um serviço de assistência oficial. Uma montagem incorrecta poderá provocar um incêndio ou choque eléctrico.**
11. **Para evitar apanhar um choque eléctrico desligue o carregador da tomada de corrente antes de efectuar qualquer trabalho de manutenção ou de limpeza. Se apenas desligar o carregador e não retirar a ficha da tomada, não evitará o perigo de choques eléctricos.**
12. **O carregador de bateria não deve ser utilizado por crianças ou por enfermos sem vigilância.**
13. **Deve vigiar as crianças para se certificar de que não brincam com o carregador.**
14. **Se o tempo de operação se tornar excessivamente curto, pare imediatamente a operação. Pode resultar em sobreaquecimento, possíveis queimaduras e mesmo uma explosão.**
15. **Se entrar electrolito nos seus olhos, lave-os com água limpa e procure imediatamente assistência médica. Pode resultar em perda de visão.**

REGRAS DE SEGURANÇA ADICIONAIS PARA O CARREGADOR E BATERIA

1. **Não carregue a bateria quando a temperatura for INFERIOR a 10°C ou SUPERIOR a 40°C.**
2. **Não use um transformador, gerador ou acumulador de corrente contínua.**
3. **Não tape nem obstrua a ventilação do carregador.**
4. **Cubra sempre os terminais da bateria com a respectiva tampa quando não estiver a utilizá-la.**

5. Não provoque um curto-circuito na bateria:
 - (1) Não toque nos terminais com nenhum material condutor.
 - (2) Evite guardar a bateria juntamente com outros objectos metálicos tais como pregos, moedas, etc.
 - (3) Não exponha a bateria à chuva ou à água. Um curto-circuito na bateria pode causar um grande fluxo de corrente, sobreaquecimento, possíveis queimaduras e mesmo uma avaria.
6. Não guarde a ferramenta e a bateria em locais onde a temperatura possa atingir ou ultrapassar 50°C.
7. Não queime a bateria mesmo se estiver severamente danificada ou completamente gasta. A bateria pode explodir no fogo.
8. Tenha cuidado para não deixar cair, agitar ou dar pancadas na bateria.
9. Não carregue dentro de uma caixa ou de um recipiente de qualquer tipo. A bateria deve ser colocada num local bem ventilado durante o carregamento.

REGRAS DE SEGURANÇA ADICIONAIS PARA A FERRAMENTA

1. Não se esqueça que esta ferramenta está sempre em condições de funcionamento porque não tem de ser ligado a uma tomada eléctrica.
2. Pegue na ferramenta pelas superfícies isoladas quando executa uma operação em que a ferramenta de corte pode entrar em contacto com fios eléctricos escondidos. O contacto com um fio “vivo” fará com que as partes expostas de metal da ferramenta também ficarão “vivas” e provocarão um choque no operador.
3. Certifique-se sempre de que os seus pés estão em perfeito equilíbrio.
4. Certifique-se de que ninguém está por baixo quando trabalhar em locais altos.
5. Segure na ferramenta firmemente.
6. Mantenha as mãos afastadas das partes móveis.
7. Não deixe a ferramenta a funcionar senão a estiver a segurar.
8. Não toque na broca ou na peça de trabalho imediatamente depois da operação; podem estar extremamente quentes e pode queimar-se.

GUARDE ESTAS INSTRUÇÕES.

INSTRUÇÕES DE FUNCIONAMENTO

Instalar ou retirar a bateria (Fig. 1)

- Desligue sempre a ferramenta antes de colocar ou retirar a bateria.
- Para retirar a bateria, tire-a da ferramenta enquanto pressiona os botões em ambos os lados da bateria.
- Para colocar a bateria, alinhe a lingueta na bateria com a ranhura na caixa e deslize-a para o seu lugar. Coloque-a sempre completamente até que fique presa no lugar com um pequeno clique. Se assim não for, pode acidentalmente cair da ferramenta ferindo-o a si ou alguém próximo.
- Não utilize força quando coloca a bateria. Se a bateria não deslizar facilmente é porque não está colocada correctamente.

Carregamento (Fig. 2)

1. Ligue o carregador de bateria à fonte de voltagem CA apropriada. A luz de carregamento piscará em verde.
2. Coloque a bateria de modo a que os terminais mais e menos na bateria estejam nos mesmos lados que as marcas respectivas no carregador de bateria de alta capacidade. Coloque a bateria completamente na portinhola de modo a que fique assente na base da portinhola do carregador.
3. Quando a bateria está colocada, a cor da luz de carregamento muda de verde para vermelho e o carregamento começa. A luz de carregamento mantém-se acesa durante o carregamento.
4. Quando a luz de carga muda de vermelho para verde, o ciclo de carregamento está completo.
5. Se deixar a bateria no carregador depois do carregamento acabar, o carregador muda para o modo de “carregamento gota a gota (carregamento de manutenção)” que durará aproximadamente 24 horas.
6. Depois do carregamento, desligue o carregador da fonte de alimentação.

PRECAUÇÃO:

- O carregador de bateria destina-se a carregar baterias Makita. Nunca o utilize para outros fins ou para baterias de outros fabricantes.
- Quando carregar uma bateria nova ou uma bateria que não foi utilizada durante um longo período de tempo, pode não ser possível carregá-la completamente. Esta situação é normal e não significa qualquer deficiência. Pode carregar a bateria completamente depois de a ter descarregado e carregado algumas vezes.
- Se carregar uma bateria de uma ferramenta que acabou de funcionar ou uma bateria que foi deixada exposta ao sol, a luz de carga pode piscar em vermelho. Se isto acontecer espere um pouco. A carga começa quando a bateria tiver arrefecido. A bateria arrefecerá mais depressa se a retirar do carregador de bateria de alta capacidade.
- Se a luz de carga piscar alternadamente em verde e vermelho, existe um problema e a carga não é possível. Os terminais no carregador ou na bateria estão bloqueados com pó ou a bateria está gasta ou danificada.

Carregamento gota a gota (carregamento de manutenção)

Se deixar a bateria no carregador para evitar descarga espontânea depois de completamente carregada, o carregador mudará para o modo de “carregamento gota a gota (carregamento de manutenção)” e manterá a bateria fresca e completamente carregada.

Conselhos para manter a máxima vida útil da bateria

1. Carregue a bateria antes de completamente descarregada.
Páre sempre a operação e carregue a bateria quando notar diminuição de potência da ferramenta.
2. Nunca recarregue uma bateria completamente carregada.
Sobrecarregamento diminui a vida útil da bateria.

- Carregue a bateria à temperatura ambiente de 10°C – 40°C.
Se a bateria estiver quente deixe-a arrefecer antes de a carregar.
- Carregue a bateria de hidreto de níquel quando não a utilizar durante mais do que seis meses.

Consulte a tabela abaixo para verificar o tempo de carga.

Tipo da bateria	Capacidade (mAh)	Número de células	Tempo de carga (Aprox.)
9122	2.000	8	45 min.
9133	2.200	8	50 min.
9134	2.600	8	60 min.
9135	3.000	8	70 min.
1222	2.000	10	45 min.
1233	2.200	10	50 min.
1234	2.600	10	60 min.
1235	3.000	10	70 min.
1422	2.000	12	45 min.
1433	2.200	12	50 min.
1434	2.600	12	60 min.
1435	3.000	12	70 min.
1822	2.000	15	45 min.
1833	2.200	15	50 min.
1834	2.600	15	60 min.
1835	3.000	15	70 min.

Ação do interruptor (Fig. 3)

PRECAUÇÃO:

Antes de colocar a bateria na ferramenta certifique-se de que o gatilho funciona correctamente e volta para a posição "OFF" (desligado) quando o solta.

Para ligar a ferramenta carregue simplesmente no atilho. A velocidade da ferramenta aumenta quando aumenta a pressão no gatilho. Liberte o gatilho para parar.

Ação do comutador de inversão (Fig. 4)

Esta ferramenta tem um comutador de inversão para mudar a direcção de rotação. Pressione a alavanca do comutador de inversão no lado A para rotação para a direita ou no lado B para rotação para a esquerda. Quando a alavanca do interruptor está na posição neutra, não pode carregar no gatilho.

PRECAUÇÃO:

- Verifique sempre a direcção de rotação antes da operação.
- Só utilize o comutador de inversão quando a ferramenta estiver completamente parada. Mudar a direcção de rotação antes da ferramenta parar pode estragá-la.
- Quando não está a funcionar com a ferramenta, coloque sempre o comutador de inversão na posição neutra.


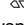
Mudança de velocidade (Fig. 5)

Para mudar a velocidade, desligue primeiro a ferramenta e em seguida deslize o selector de velocidade para o lado "2" para alta velocidade ou para o lado "1" para baixa velocidade. Certifique-se de que o selector de velocidade está colocado na posição correcta antes da operação. Utilize a velocidade correcta para o seu trabalho.

PRECAUÇÃO:

- Coloque sempre o selector de velocidade completamente na posição correcta. Se trabalhar com a ferramenta com o selector de velocidade colocado no meio entre o lado "1" e o lado "2" pode estragar a ferramenta.
- Não utilize o selector de velocidade enquanto a ferramenta está a funcionar. Pode estragar a ferramenta.

Seleção do modo de acção (Fig. 6)

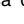
Esta ferramenta tem uma alavanca de mudança do modo de acção. Para perfuração, pressione o botão de bloqueio e em seguida deslize a alavanca de mudança do modo de acção para a esquerda (símbolo ). Para aparafusamento, deslize a alavanca de mudança do modo de acção para a direita (símbolo ) até que fique bloqueada. Se for difícil rodar a alavanca, rode primeiro ligeiramente o mandril em qualquer das direcções e em seguida rode a alavanca outra vez.

PRECAUÇÃO:

- Deslize sempre a alavanca de mudança do modo de acção completamente até à posição desejada. Se funcionar com a ferramenta com a alavanca posicionada entre os símbolos de modo pode estragar a ferramenta.
- Não utilize a alavanca de mudança do modo de acção quando a ferramenta está a funcionar. Pode estragar a ferramenta.

Ajuste do binário de aperto (Fig. 7)

O binário de aperto pode ser ajustado em 16 passos rodando o anel de regulação de modo a que as graduações estejam alinhadas com o indicador no corpo da ferramenta.

Primeiro deslize a alavanca de mudança do modo de acção para a posição do símbolo .

O binário de aperto é mínimo quando o número 1 está alinhado com o indicador no corpo da ferramenta e máximo quando a marca está alinhada com o indicador. Efectuar-se-à o aparafusamento com vários níveis de torção conforme o indicador estiver posicionado nos números 1 a 16. Não actuará quando posicionado na marca. Antes do trabalho real, faça um aparafusamento experimental no material ou numa peça do mesmo material para determinar qual o nível de aperto requerido para um trabalho particular.

PRECAUÇÃO:

- O anel de regulação não bloqueia quando o ponteiro está posicionado entre as graduações.

MONTAGEM

PRECAUÇÃO:

Certifique-se sempre de que a ferramenta se encontra desligada e de que a bateria foi retirada antes de efectuar qualquer inspecção e manutenção.

Para colocar ou retirar a broca de aparafusar ou de perfurar (Fig. 8)

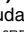
Agarre no anel e rode a manga para a esquerda para abrir as garras do mandril. Coloque a broca no mandril até ao mais fundo possível. Pegue firmemente no anel e rode a manga para a direita para apertar o mandril.

Para retirar a broca, pegue no anel e rode a manga para a esquerda.

Quando não está a utilizar a broca de aparafusamento pode colocá-la nos suportes de broca. Pode colocar brocas até 45 mm em comprimento. (Fig. 9)

OPERAÇÃO

Operação de aparafusar (Fig. 10)

Primeiro deslize a alavanca de mudança do modo de acção para a posição do símbolo  e seleccione o binário de aperto.

Coloque a ponta da broca de aparafusar na cabeça do parafuso e aplique pressão na ferramenta. Comece com a ferramenta devagar e em seguida aumente gradualmente a velocidade. Liberte o gatilho assim que o aperto estiver feito.

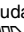
PRECAUÇÃO:

- Certifique-se de que a broca de aparafusar está colocada direita na cabeça do parafuso ou o parafuso e/ou a broca podem estragar-se.
- Quando aparafusa parafusos para madeira, faça primeiro um orifício piloto para tornar o aparafusamento mais simples e evitar que a peça de trabalho lasque. Veja a tabela abaixo.

Diâmetro nominal do parafuso para madeira (mm)	Tamanho recomendado do orifício piloto (mm)
3,1	2,0–2,2
3,5	2,2–2,5
3,8	2,5–2,8
4,5	2,9–3,2
4,8	3,1–3,4
5,1	3,3–3,6
5,5	3,7–3,9
5,8	4,0–4,2
6,1	4,2–4,4

- Se a ferramenta funcionar continuamente até que a bateria esteja descarregada, deixe a ferramenta descansar durante 15 minutos antes de continuar com uma bateria carregada.

Operação de perfuração

Primeiro deslize a alavanca de mudança do modo de acção para a posição do símbolo .

- Perfuração em madeira
Quando perfura em madeira obtém melhores resultados com perfuradores para madeira que tenham um parafuso guia. O parafuso guia torna a perfuração mais fácil empurrando a broca para a peça a trabalhar.
- Perfuração em metal
Para evitar que a broca deslize quando começa um buraco, faça um entalhe com um furador e martelo no ponto a ser perfurado. Coloque a ponta da broca no entalhe e comece a perfuração.
Utilize um lubrificante para corte quando perfura metal. As excepções são ferro e latão que devem ser perfurados em seco.

PRECAUÇÃO:

- Pressão excessiva na ferramenta não aumentará a velocidade de perfuração. De facto, pressão excessiva só servirá para estragar a ponta da broca, diminuir o rendimento da ferramenta e diminuir a sua vida útil.
- É exercida uma enorme força na ferramenta/broca quando acaba o buraco. Agarre na ferramenta firmemente e tenha cuidado quando a broca começa a atravessar a peça de trabalho.
- Se a broca ficar presa, pode retirá-la muito simplesmente colocando o comutador de inversão para inverter a rotação e fazer com que a broca ande para trás. No entanto a ferramenta pode recuar abruptamente se não lhe estiver a pegar firmemente.
- Prenda sempre peças pequenas num torno ou num mecanismo semelhante.
- Se a ferramenta funcionar continuamente até que a bateria esteja descarregada, deixe a ferramenta descansar durante 15 minutos antes de continuar com uma bateria carregada.

Colocação da placa de apoio (acessório opcional)

Instale sempre a placa de apoio quando utiliza baterias 9100, 9102, 9102A para Modelo 6207D e 1200, 1202, 1202A para Modelo 6217D/6317D. Coloque a placa de apoio na ferramenta com o parafuso fornecido. (Fig. 11)

MANUTENÇÃO

PRECAUÇÃO:

Certifique-se sempre de que a ferramenta se encontra desligada e de que a bateria foi retirada antes de executar qualquer inspecção ou manutenção.

Substituição das escovas de carvão

Retire e verifique regularmente as escovas de carvão. Substitua-as quando estiverem gastas até à marca limite. Mantenha as escovas de carvão limpas e a deslizar nos suportes. As duas escovas de carvão devem ser substituídas ao mesmo tempo. Só utilize escovas de carvão idênticas. (Fig. 12)

Utilize uma chave de parafusos para retirar as tampas do porta-escovas. Retire as escovas de carvão usadas, coloque as novas e prenda as tampas dos porta-escovas. (Fig. 13)

Para manter a SEGURANÇA e FIABILIDADE do produto, reparações, qualquer manutenção ou regulação deve ser executada por Serviços de Assistência Autorizados da Makita, utilizando sempre peças de substituição Makita.

Illustrationsoversigt

1 Akku	9 Hastighedsvælger	17 Bit
2 Knap	10 Funktionsvælger	18 Bitholder
3 Ladelampe	11 Låseknap	19 Skrue
4 Oplader	12 Justeringsring	20 Låsebøjle
5 Afbryderknap	13 Inddelinger	21 Slidmarkering
6 Omdrejningsvælger	14 Viser	22 Kuldæksel
7 Med uret	15 Omløber	23 Skruetrækker
8 Mod uret	16 Ring	

SPECIFIKATIONER

Model	6207D	6217D	6317D	6337D	6347D
Kapacitet					
Stål	10 mm	10 mm	13 mm	13 mm	13 mm
Træ	25,4 mm	25,4 mm	25,4mm	32 mm	38 mm
Træskruer	6 x 75 mm	6 x 75 mm	6 x 75 mm	6 x 75 mm	10 x 89 mm
Maskinskruer	13 mm	13 mm	13 mm	13 mm	13 mm
Omdrejninger (ubelastet) (min ⁻¹)					
Høj	0 – 1 300	0 – 1 300	0 – 1 300	0 – 1 300	0 – 1 300
Lav	0 – 400	0 – 400	0 – 400	0 – 400	0 – 400
Længde	233 mm	233 mm	243 mm	243 mm	243 mm
Vægt	1,7 kg	1,9 kg	2,0 kg	2,1 kg	2,4 kg
Spænding	D.C. 9,6 V	D.C. 12 V	D.C. 12 V	D.C. 14,4 V	D.C. 18 V

- Ret til tekniske ændringer forbeholdes.
- Bemærk: Data kan variere fra land til land.

Tilsligt anvendelse

Denne maskine er til boring og skruring i træ, metal og plastmaterialer.

Sikkerhedsbestemmelser

Af sikkerhedsgrunde bør De sætte Dem ind i de medfølgende Sikkerhedsforskrifter.

VIGTIGE SIKKERHEDSFORSKRIFTER FOR OPLADER OG AKKU

1. **GEM DISSE FORSKRIFTER** — Denne brugsanvisning indeholder vigtige sikkerhedsforskrifter og betjeningsvejledninger for opladeren.
2. Før opladeren anvendes, bør De læse alle instruktioner og advarselsskiltninger på (1) opladeren, (2) akku, og (3) produktet, som anvender akku.
3. **ADVARSEL** — For at mindske risikoen for personskade må opladeren kun anvendes til opladning af MAKITA genopladelige akku-typer. Andre akku-typer kan sprænges og forårsage personskade eller ødelæggelser.
4. Udsæt ikke opladeren for regn eller sne.
5. Brug af tilbehør, der ikke er anbefalet eller solgt af fremstilleren af opladeren, kan give risiko for brand, elektrisk stød, eller personskade.
6. For at mindske risikoen for at beskadige netledningen eller dennes stik skal der altid trækkes i stikket og ikke i selve ledningen, når opladeren tages ud af stikkontakten.
7. Sørg for, at netledningen er placeret således, at man ikke kommer til at træde på den, falde over den, og således, at den ikke udsættes for anden form for beskadigelse eller belastning.
8. Anvend aldrig opladeren, hvis ledningen eller stikket er beskadiget — udskift dem øjeblikkeligt.

9. Anvend aldrig opladeren, hvis den er blevet udsat for et voldsomt stød, blevet tabt, eller på anden måde beskadiget. Lad en kvalificeret reparatør se på den.
10. Skil aldrig opladeren eller akkuen ad; kontakt en kvalificeret reparatør, når vedligeholdelse eller reparation er påkrævet. Forkert samling kan føre til risiko for elektrisk stød eller brand.
11. For at undgå risiko for elektrisk stød skal opladeren altid afbrydes fra stikkontakten, før vedligeholdelse eller rengøring udføres. Denne risiko fjernes ikke ved blot at slukke for kontrollerne.
12. Opladeren er ikke beregnet til at skulle anvendes af børn eller svaglige personer uden opsyn.
13. Små børn bør være under opsyn for at sikre, at de ikke leger med opladeren.
14. Hvis anvendelsestiden bliver ekstrem kort, skal brugen straks afbrydes. Fortsat brug kan ellers resultere i overophedning, mulige forbrændinger og endog eksplosion.
15. Hvis De får elektrolytvæske i øjnene, skal de øjeblikkeligt renses med rigeligt rent vand, hvorefter der straks skal søges læge. Der er risiko for tab af synsevne.

YDERLIGERE SIKKERHEDSFORSKRIFTER FOR OPLADER OG AKKU

1. Oplad ikke akkuen, når temperaturen er UNDER 10°C, eller OVER 40°C.
2. Forsøg aldrig at anvende en transformator, en generator, eller en jævnstrømsforsyning til opladning.
3. Lad aldrig noget dække eller tilstoppe opladerens ventilationshuller.
4. Dæk altid akku-polerne med akku-dækslet, når akkuen ikke anvendes.

5. Kortslut aldrig akkuen:

- (1) Rør ikke polerne med noget ledende materiale.
- (2) Undgå opbevaring af akkuen i beholdere sammen med andre metalgenstande, som f.eks. søm, mønter osv.
- (3) Udsæt aldrig opladeren eller akkuen for vand eller regn.

En kortslutning af akkuen kan forårsage en stor strømudladning, overophedning, forbrænding, og sammenbrud af værktøjet.

6. Opbevar ikke værktøjet og akkuen på steder, hvor temperaturen kan nå eller overskride 50°C.
7. Udsæt ikke akkuen for destruktion ved forbrænding, også selv om den er slemt beskadiget eller fuldstændig slidt op. Akkuen kan eksplodere i åben ild.
8. Undgå omhyggeligt at tabe, ryste eller støde akkuen.
9. Oplad aldrig med akkuen anbragt i en kasse eller anden form for beholder. Akkuen skal være anbragt på et sted med god ventilation under opladningen.

YDERLIGERE

SIKKERHEDSFORSKRIFTER FOR MASKINEN

1. Vær opmærksom på at maskinen altid er driftsklar, da den ikke behøver tilslutning til en stikkontakt.
2. Hold ved maskinen på de isolerede greb, når der udføres arbejde, hvor det skærende værktøj kan komme i kontakt med skjulte ledninger. Kontakt med en "strømførende" ledning vil også gøre uisolerede metaldele på maskinen "strømførende", hvilket kan give brugeren elektrisk stød.
3. Sørg altid for at have sikkert fodfæste.
4. Sørg for at der ikke opholder sig personer under arbejdsområdet, når De arbejder i højden.
5. Hold maskinen med begge hænder.
6. Rør aldrig roterende dele med hænderne.
7. Lad ikke maskinen køre uden opsyn. Brug kun maskinen, når den holdes med begge hænder.
8. Rør ikke ved bor, skruebit eller emnet lige når arbejdet er afsluttet. Delene kan være ekstremt varme og forårsage forbrændinger.

GEM DISSE FORSKRIFTER.

ANVENDELSE

Montering og afmontering af akku (Fig. 1)

- Kontrollér altid, at maskinen er slået fra, før montering eller afmontering af akkuen.
- For at fjerne akkuen trykkes samtidigt på knapperne på begge sider af akkuen, mens den trækkes ud af maskinen.
- For at sætte en ny akku i, placeres denne, så fjeren på akkuen passer med noten i åbningen på maskinen. Akkuen skubbes helt i bund, indtil den klikker på plads i begge sider. Kontrollér altid, at akkuen er helt fastlåst ved at trække i den.
- Brug aldrig magt, når akkuen skal sættes i. Hvis ikke akkuen glider i uden besvær, er det fordi, at den vender forkert.

Opladning (Fig. 2)

1. Tilslut opladeren til en korrekt vekselstrømskilde. Ladelampen blinker grønt.
2. Sæt akkuen ind i opladeren, således at plus- og minuspolerne på akkuen er på samme side som de tilsvarende markeringer på højkapacitetsopladeren. Skub akkuen helt ind i porten, at den hviler på bunden af porten i opladeren.
3. Når akkuen er sat korrekt i, skifter ladelampen fra grønt til rødt, og opladning begynder. Ladelampen lyser konstant under opladningen.
4. Når ladelampens farve skifter fra rødt til grøn, er opladningen afsluttet.
5. Hvis De efter oplader akkuen i opladeren, efter at opladningen er afsluttet, skifter opladeren over til kompensationsladning (vedligeholdelsesladning), som fortsætter i cirka 24 timer.
6. Efter endt opladning skal opladeren tages ud af strømforsyningens stik.

ADVARSEL:

- Opladeren er beregnet til opladning af Makita akkuer. Brug den aldrig til andre formål eller til opladning af akkuer af andre fabrikater.
- Ved opladning af en ny akku eller en akku, der ikke har været brugt længe, kan det ske at akkuen ikke oplades helt. Dette er normalt, og akkuen vil alligevel kunne oplades helt, når den har været opladet og afladet nogle gange.
- Hvis man forsøger at oplade en akku, der lige har været i brug eller udsat for stærk varme, vil ladelampen evt. blinke rødt. Sker dette, kan opladningen først startes, når akkuen er afkølet. Akkuen afkøles hurtigere, hvis De tager den ud af højkapacitetsopladeren.
- Hvis ladelampen blinker skiftevis grønt og rødt, er opladning ikke mulig. Polerne på opladeren eller akkuen er ikke rene, akkuen er beskadiget eller akkuen er slidt op.

Kompensationsladning (vedligeholdelsesladning)

Hvis De efterlade akkuen i opladeren for at forebygge spontan afladning efter en fuld opladning, skifter opladeren til dens "kompensationsladning (vedligeholdelsesladning)" funktion, og holder derved akkuen frisk og fuldt opladet.

Tips til sikring af maksimal akku-levetid

1. Oplad akkuen, før den er fuldt afladet. Stop altid med at bruge maskinen, og oplad akkuen, når De bemærker reduceret maskinkraft.
2. Oplad aldrig en fuldt opladet akku. Over-opladning forkorter akkuens levetid.
3. Oplad akkuen ved en rumtemperatur på 10°C – 40°C. Lad en varm akku køle, før den oplades.
4. Oplad nikkel metalhydrid akkuen, når De ikke har anvendt den indenfor et halvt år.

Se nedenstående tabel vedrørende ladetiden.

Akku-type	Kapacitet (mAh)	Antal celler	Ladetid ved anvendelse
9122	2 000	8	Ca. 45 min.
9133	2 200	8	Ca. 50 min.
9134	2 600	8	Ca. 60 min.
9135	3 000	8	Ca. 70 min.
1222	2 000	10	Ca. 45 min.
1233	2 200	10	Ca. 50 min.
1234	2 600	10	Ca. 60 min.
1235	3 000	10	Ca. 70 min.
1422	2 000	12	Ca. 45 min.
1433	2 200	12	Ca. 50 min.
1434	2 600	12	Ca. 60 min.
1435	3 000	12	Ca. 70 min.
1822	2 000	15	Ca. 45 min.
1833	2 200	15	Ca. 50 min.
1834	2 600	15	Ca. 60 min.
1835	3 000	15	Ca. 70 min.

Afbryderbetjening (Fig. 3)

ADVARSEL:

Før akkuen sættes i maskinen, bør det altid kontrolleres, at afbryderknappen fungerer korrekt og returnerer til "OFF" positionen, når den slippes.

Før at starte maskinen trykkes der blot på afbryderen. Maskinens hastighed øges ved at øge trykket på afbryderen. Slip afbryderen for at stoppe.

Omløbsvælger (Fig. 4)

Denne maskinen har en omløbsvælger, der kan ændre omløbsretningen. Skub omløbsvælgeren ind fra A siden for omdrejning med uret, og fra B siden for omdrejning mod uret. Når omløbsvælgeren er i neutral position, kan afbryderknappen ikke trykkes ind.

ADVARSEL:

- Kontroller altid omløbsretningen, før arbejdet påbegyndes.
- Brug kun omløbsvælgeren, når maskinen er helt stoppet. Hvis omløbsretningen ændres, inden maskinen er helt stoppet, kan det beskadige maskinen.
- Når maskinen ikke er i brug, bør omløbsvælgeren altid sættes i neutral position.

Hastighedsvælger (Fig. 5)

Før at ændre hastigheden skal maskinen først slukkes. Skub derefter hastighedsvælgeren helt mod "2" for høj hastighed og helt mod "1" for lav hastighed. Sørg for at hastighedsvælgeren er sat til den korrekte position, før arbejdet påbegyndes. Anvend en passende hastighed til det pågældende arbejde.

ADVARSEL:

- Sæt altid hastighedsvælgeren helt i position "1" eller "2". Hvis maskinen anvendes med hastighedsvælgeren i en position mellem "1" og "2", kan det beskadige maskinen.
- Brug ikke hastighedsvælgeren, mens maskinen kører. Maskinen kan blive beskadiget.

Valg af funktionsmåde (Fig. 6)

Denne maskine er forsynet med en funktionsvælger. Ved brug til boring trykker man låseknappen ned og skyder funktionsvælgeren til venstre (□◁ symbol). Ved brug til skruining skyder man funktionsvælgeren til højre (▷ symbol), indtil den låser på plads. Hvis det volder vanskeligheder at skyde vælgeren, drejer man først borepatronen en smule i en af retningerne, hvorefter vælgeren skydes igen.

FORSIGTIG:

- Skyd altid funktionsvælgeren hele vejen til den ønskede position. Hvis man anvender maskinen med funktionsvælgeren placeret halvvejs mellem funktions-symbolerne, kan maskinen tage skade.
- Brug ikke funktionsvælgeren, mens maskinen kører. Maskinen kan tage skade.

Justering af drejningsmomentet (Fig. 7)

Drejningsmomentet kan justeres i 16 trin ved at dreje justeringsringen, således at dens inddelinger er passet ind efter viseren på maskinhuset.

Skyd først funktionsvælgeren til positionen med ◁▷ symbolet.

Drejningsmomentet er mindst, når tallet 1 står ud for viseren, og højest, når symbolet står ud for viseren.

Koblingen vil glide forbi forskellige drejningsmomenter, når der er indstillet mellem 1 og 16. Koblingen er konstrueret, således at den ikke glider ved symbolet. Før den egentlige anvendelse påbegyndes, bør De foretage en prøveskrubning i materialet eller et lignende materiale for at fastslå, hvilket drejningsmoment, der er påkrævet til det pågældende arbejde.

FORSIGTIG:

- Justeringsringen låser ikke, når viseren kun er placeret halvvejs mellem inddelingerne.

SAMLING

ADVARSEL:

Sørg altid for at maskinen er slukket, og at akkuen er taget ud før der gennemføres noget arbejde på selve maskinen.

Montering og afmontering af skruebit eller bór (Fig. 8)


Hold løst på ringen og drej omløberen mod uret for at åbne borepatronens kæber. Sæt værktøjet så langt ind i borepatronen som muligt. Hold fast på ringen og drej omløberen med uret for at spænde værktøjet fast.

For at afmontere værktøjet holdes ringen fast og omløberen drejes mod uret.

Når skruebittet ikke er i anvendelse, skal det anbringes i bitholderen. Der kan opbevares bits på op til 45 mm her. (Fig. 9)

BRUG

Brug som skruetrækker (Fig. 10)

Skyd først funktionsvælgeren til positionen med  symbolet og vælg drejningsmomentet.

Anbring spidsen af skruebittet i skruehovedet og læg et let tryk på maskinen. Start maskinen og øg gradvist hastigheden. Slip afbryderen, så snart momentkoblingen høres.


ADVARSEL:

- Skruebittet skal være sat helt ind i skruehovedet, og maskinen skal holdes lige på skruen. Ellers kan skruen/bittet blive beskadiget.
- Når der skrues træskruer, bør der laves forboringer for at gøre det nemmere at skrue og for at undgå revnedannelser i emnet. Se nedenstående tabel.

Nominal diameter på træskruer (mm)	Anbefalet diameter på forboring (mm)
3,1	2,0–2,2
3,5	2,2–2,5
3,8	2,5–2,8
4,5	2,9–3,2
4,8	3,1–3,4
5,1	3,3–3,6
5,5	3,7–3,9
5,8	4,0–4,2
6,1	4,2–4,4

- Hvis maskinen anvendes, lige indtil akkuen er opbrugt, bør maskinen hvile i 15 minutter, før der fortsættes med en ny akku.

Boring

Skyd først funktionsvælgeren til positionen med  symbolet.

- Boring i træ

Ved boring i træ opnås det bedste resultat med træbor udstyret med en centerspids. Centerspidsen gør boringen lettere, idet den trækker boret ind i emnet.

- Boring i metal

For at forhindre at værktøjet skrider, når der startes på et hul, bør der laves en fordybning med en kørne og en hammer på det sted, hvor hullet skal bores. Placer spidsen af værktøjet i fordybningen og start boringen. Anvend skæresmørelse, når der bores i metal. Undtaget er jern og messing, som skal bores tørre.

ADVARSEL:

- Overdrevent tryk på maskinen vil ikke gøre boringen hurtigere. I virkeligheden vil det kun medvirke til at beskadige spidsen på værktøjet, formindske maskinens præstation og forkorte maskinens levetid.
- Maskinen/værktøjet udsættes for en voldsom vriddningspåvirkning, når der brydes igennem emnet. Hold godt fast på maskinen og udvis forsigtighed, når værktøjet begynder at bryde gennem emnet.
- Et værktøj, der har sat sig fast, kan nemt fjernes ved at sætte omdrejningsvælgeren til modsat omdrejningsretning for at bakke helt ud. Værktøjet kan dog bakke ukontrollabelt ud, hvis der ikke holdes godt fast på maskinen.
- Mindre emner skal fastgøres forsvarligt i en skruestik eller lignende.
- Hvis maskinen anvendes, lige indtil akkuen er opbrugt, bør maskinen hvile i 15 minutter, før der fortsættes med en ny akku.

Montering af låsebøjle (ekstraudstyr)

Påsæt altid låsebøjlen, når De anvender akkerne 9100, 9102, 9102A for Model 6207D og 1200, 1202, 1202A for Model 6217D/6317D. Monter låsebøjlen på maskinen med den medfølgende skrue. (Fig. 11)

VEDLIGEHOLDELSE

ADVARSEL:

Sørg altid for at maskinen er slukket, og at akkuen er taget ud før der gennemføres noget arbejde på selve maskinen.

Udskiftning af kul

Udtag og efterse kullene med regelmæssige mellemrum. Udskift kullene, når de er slidt ned til slidmarkeringen. Hold kullene rene og i stand til frit at glide ind i holderne. Begge kul skal udskiftes parvist samtidigt. Anvend kun identiske kulbørster. (Fig. 12)

Benyt en skruetrækker til at afmontere kulholderdækslerne. Tag de slidte kul ud, isæt de nye og fastgør derefter kulholderdækslerne. (Fig. 13)

For at opretholde produktets SIKKERHED og PÅLIDELIGHED bør reparationer, anden vedligeholdelse eller justeringer altid udføres af et Makita Service Center, idet der altid bør anvendes Makita reservedele.

Förklaring av allmän översikt

1 Kraftkasset	8 Moturs	16 Ring
2 Knapp	9 Varvtalsomkopplare	17 Borr/skruvmejselverktyg
3 Laddningslampa	10 Driftslägesomkopplare	18 Borr-/skruvmejselhållare
4 Kraftladdare	11 Låsknapp	19 Skruv
5 Strömställare	12 Inställningsring	20 Kassettpärr
6 Omkopplare för rotationsriktning	13 Gradering	21 Slitgränsmarkering
7 Medurs	14 Pål	22 Kolhållarlock
	15 Hylsa	23 Skruvmejsel

TEKNISKA DATA

Modell	6207D	6217D	6317D	6337D	6347D
Kapacitet					
Stål	10 mm	10 mm	13 mm	13 mm	13 mm
Trä	25,4 mm	25,4 mm	25,4 mm	32 mm	38 mm
Tråskruv	6 x 75 mm	6 x 75 mm	6 x 75 mm	6 x 75 mm	10 x 89 mm
Maskinskruv	13 mm	13 mm	13 mm	13 mm	13 mm
Obelastat varvtal (min ⁻¹)					
Högt	0 – 1 300	0 – 1 300	0 – 1 300	0 – 1 300	0 – 1 300
Lågt	0 – 400	0 – 400	0 – 400	0 – 400	0 – 400
Total längd	233 mm	233 mm	243 mm	243 mm	243 mm
Nettovikt	1,7 kg	1,9 kg	2,0 kg	2,1 kg	2,4 kg
Markspänning	9,6 V likström	12 V likström	12 V likström	14,4 V likström	18 V likström

- På grund av det kontinuerliga programmet för forskning och utveckling, kan här angivna tekniska data ändras utan föregående meddelande.
- Observera! Tekniska data kan variera i olika länder.

Verktygets ändamål

Detta verktyg är avsett för borring och skruvidragnig i trä, metall och plast.

Säkerhetstips

För din egen säkerhets skull, bör du läsa igenom de medföljande säkerhetsföreskrifterna.

VIKTIGA SÄKERHETSANVISNINGAR FÖR LADDARE OCH KRAFTKASSETT

1. SPARA DESSA ANVISNINGAR — Denna bruksanvisning innehåller viktiga säkerhets- och driftsanvisningar för kraftladdaren.
2. Läs alla anvisningar och säkerhetsanmärkningar på (1) kraftladdaren, (2) kraftet och (3) den produkt till vilken kraftet ska användas.
3. ATT OBSERVERA — Ladda endast MAKITA upp-laddningsbara krafter, för att minska risken för skador. Andra typer av krafter kan explodera och orsaka skador på person och egendom.
4. Utsätt inte laddaren för regn eller snö.
5. Att använda tillsatser som inte rekommenderas eller säljs av kraftladdarens tillverkare kan medföra att risk för eldsvåda, elektriska stötar och personsador uppstår.
6. Dra i kontakten istället för i sladden när kraftladdaren ska kopplas ur, för att minska risken för skador på stickkontakten och sladden.
7. Se till att sladden placeras så att ingen trampar eller snubblar på den, eller att den på annat sätt utsätts för skador eller påfrestningar.
8. Använd inte laddaren om sladden eller kontakten är skadade — byt ut dem omedelbart.

9. Använd inte laddaren om den har utsatts för ett kraftigt slag, tappats eller på annat sätt skadats; ta den genast till en kvalificerad servicetekniker.
10. Ta inte isär laddaren eller kraftkassetten; lämna dem till en kvalificerad servicetekniker om de är i behov av service eller reparation. Felaktig ihopsättning kan resultera i att det uppstår risk för elektriska stötar och eldsvåda.
11. Dra ut laddaren ur nätuttaget innan något underhåll eller rengöring utförs, för att minska risken för elektriska stötar. Att bara stänga av verktyget med kontrollerna minskar inte denna risk.
12. Kraftladdaren är inte avsedd för att användas av barn eller personer med förståndshandikapp utan uppsyn.
13. Småbarn bör ha sådan tillsyn att de inte leker med kraftladdaren.
14. Avbryt driften omedelbart om drifttiden börjar bli betydligt kortare. Att fortsätta driften kan medföra risk för överhettning, brännskador och även explosion.
15. Tvätta ur ögonen med rent vatten om elektrolytvätska skulle komma in i ögonen, och sök omedelbart medicinsk vård. Att få in elektrolytvätska i ögonen kan resultera i att du förlorar synen.

SÄRSKILDA SÄKERHETSFÖRESKRIFTER FÖR LADDARE OCH KRAFTKASSETT

1. Ladda inte kraftkassetten när temperaturen är UNDER 10°C eller ÖVER 40°C.
2. Försök inte använda en spänningsomvandlare, motortransformator eller ett likströmsuttag.
3. Låt ventingent täcka över eller täppa igen laddarens ventilationsuttag.
4. Täck alltid för kraftets kontaktbleck med kraftlocket, när kraftkassetten inte används.

Strömladdning (underhållsladdning)

Laddaren övergår till läget för "strömladdning (underhållsladdning)" om du lämnar kvar kraftkassetten i laddaren, för att förhindra att kraftet laddas ur spontant efter en fulladdning, och laddaren kan därmed hållas fräsch och fulladdat.

Tips för att upprätthålla maximal livslängd för kraftet

1. Ladda upp laddaren innan det är fullständigt urladdat. Avbryt alltid arbetet som du utför med maskinen, och ladda upp laddaren, när du märker att kraften i maskinen minskar.
2. Ladda aldrig ett fulladdat laddare. Överladdning minskar kraftets livslängd.
3. Ladda laddaren i rumstemperatur vid 10°C – 40°C. Låt ett laddare, som har blivit varmt, svalna innan det laddas.
4. Ladda upp kraftkassetten, av typ nickel metallhydrid, om du inte använder den på mer än sex månader.

Se i tabellen nedan för laddningstid.

Krafttyp	Kapacitet (mAh)	Antal celler	Laddningstid (Ungefär)
9122	2 000	8	45 min.
9133	2 200	8	50 min.
9134	2 600	8	60 min.
9135	3 000	8	70 min.
1222	2 000	10	45 min.
1233	2 200	10	50 min.
1234	2 600	10	60 min.
1235	3 000	10	70 min.
1422	2 000	12	45 min.
1433	2 200	12	50 min.
1434	2 600	12	60 min.
1435	3 000	12	70 min.
1822	2 000	15	45 min.
1833	2 200	15	50 min.
1834	2 600	15	60 min.
1835	3 000	15	70 min.

Strömställarens funktion (Fig. 3)

FÖRSIKTIGHET:

Kontrollera alltid att strömställaren fungerar normalt och återgår till det avstängda läget ("OFF"-läget) när den släpps innan kraftkassetten sätts i maskinen.

Tryck helt enkelt på strömställaren för att starta maskinen. Varvtalet ökar med ett ökat tryck på strömställaren. Släpp strömställaren för att stanna maskinen.

Rotationsomkopplarens funktion (Fig. 4)

Maskinen är utrustad med en rotationsomkopplare för att ändra rotationsriktningen. Tryck in rotationsomkopplaren från sida A för medurs rotation, och från sida B för mot-

urs rotation. När rotationsomkopplaren står i neutralt läge kan strömställaren inte tryckas in.

FÖRSIKTIGHET:

- Kontrollera alltid rotationsriktningen före användning.
- Använd rotationsomkopplaren först efter att maskinen har stannat helt. Maskinen kan skadas om rotationsriktningen ändras innan maskinen har stannat.
- Ställ alltid rotationsomkopplaren i neutralt läge när maskinen inte används.

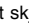
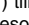
Ändring av varvtal (Fig. 5)

Stäng först av maskinen vid ändring av varvtalet (motorhastigheten), och skjut sedan varvtalsomkopplaren till sida "2" för högt varvtal eller sida "1" för lågt varvtal. Se till att varvtalsomkopplaren står i rätt läge före användning. Använd rätt varvtal för ditt arbete.

FÖRSIKTIGHET:

- Skjut alltid varvtalsomkopplaren helt i läge. Maskinen kan skadas om den används med varvtalsomkopplaren i ett läge mitt emellan sida "1" och sida "2".
- Skjut inte på varvtalsomkopplaren medan maskinen är igång. Maskinen kan skadas.

Att välja driftsläge (Fig. 6)


Maskinen är utrustad med en driftslägesomkopplare. Välj borrningsläget genom att trycka in låsknappen och sedan skjuta driftslägesomkopplaren åt vänster (symbolen ). Välj skruvningläget genom att skjuta driftslägesomkopplaren åt höger (symbolen ) tills den läses i läge. Om det är svårt att ändra driftslägesomkopplaren kan du försöka med att vrida en aning på chucken i endera riktningen, och sedan försöka skjuta på omkopplaren igen.

FÖRSIKTIGHET:

- Skjut alltid driftslägesomkopplaren så att den står helt i det önskade läget. Maskinen kan skadas om den startas med driftslägesomkopplaren ställd mitt emellan de båda driftslägesymbolerna.
- Skjut inte driftslägesomkopplaren medan maskinen är igång. Maskinen kan skadas.

Inställning av åtdragningsmomentet (Fig. 7)

Åtdragningsmomentet kan ställas in i 16 steg genom att vrida på inställningsringen så att dess gradering står mot pilen på maskinhuset.

Skjut först driftslägesomkopplaren till läget indikerat av symbolen .

Åtdragningsmomentet är lägst när siffran 1 står mot pilen, och maximalt när markeringen står mot pilen. Kopplingen bryter in vid respektive åtdragningsmoment när åtdragningsmomentet är inställt på siffrorna 1 till 16. Kopplingen är konstruerad för att inte bryta in när åtdragningsmomentet är inställt på markeringen. Skruva i en skruv på prov i det material du använder eller i ett överblivet stycke av samma typ innan det faktiska arbetet påbörjas för att bestämma vilket åtdragningsmoment som är lämpligt för just det arbetsmomentet.

FÖRSIKTIGHET:

- Justeringsringen läses inte i läge om pilen står mitt emellan graderingarna.

HOPSÄTTNING

FÖRSIKTIGHET:

Tillse alltid att maskinen är fränkopplad och att kraftkassetten tagits ur maskinen innan Du utför arbete på denna.

Montering och demontering av skruvmejselverktyg eller borr (Fig. 8)

Håll i ringen och vrid hylsan moturs för att öppna chucken. För in verktyget i chucken så långt det går. Håll stadigt i ringen och vrid hylsan medurs för att dra åt chucken.

Håll i ringen och vrid hylsan moturs för att demontera verktyget.

Förvara skruvmejselverktyget i dess hållare när det inte används. Det går att förvara skruvverktyg som är upp till 45 mm långa i hållaren. (Fig. 9)

IDRAGNING

Idragning av skruvar (Fig. 10)

Skjut först driftslägesomkopplaren till läget indikerat av symbolen , och välj sedan åtdragningsmoment.

Placera spetsen på skruvmejselverktyget i skruvhuvudet och anlägg tryck mot maskinen. Starta maskinen långsamt och öka sedan hastigheten gradvis. Släpp strömställaren så snart kopplingen bryter in.

FÖRSIKTIGHET:

- Se till att skruvverktyget sätts i rakt i skruvhuvudet för att inte orsaka skador på skruven och/eller verktyget.
- Förborra ledhål vid iskrivning av träskruv för att underlätta iskrivandet och för att förhindra att arbetsstycket spricker. Se tabellen nedan.

Träskruvens nominella diameter (mm)	Rekommenderad storlek på ledhålet (mm)
3,1	2,0–2,2
3,5	2,2–2,5
3,8	2,5–2,8
4,5	2,9–3,2
4,8	3,1–3,4
5,1	3,3–3,6
5,5	3,7–3,9
5,8	4,0–4,2
6,1	4,2–4,4

- Om maskinen har använts kontinuerligt tills kraftkassetten har laddats ur, bör maskinen tillåtas vila i 15 minuter innan arbetet fortsätts med en ny kraftkasset.

Borrning

Skjut först driftslägesomkopplaren till läget indikerat av symbolen .

- Borrning i trä
Vid borrning i trä uppnås bäst resultat om ett träborr med ledskruv används. Ledskruven förenklar borrningen genom att dra borret in i arbetsstycket.
- Borrning i metall
Gör en försänkning med hjälp av en körnare och en hammare där hålet ska vara för att förhindra att borret slinter när borrningen påbörjas. Placera spetsen på borret i försänkningen och börja borra.
Använd borrolja vid borrning metall. Undantagen är järn och mässing som ska borras torra.

FÖRSIKTIGHET:

- Ett överdrivet tryck mot maskinen påskyndar inte borrningen. I själva verket leder det överdrivna trycket endast till att borrets spets förstörs, maskinens funktion försämras och dess arbetsliv förkortas.
- Vid hålgombrytningen utsätts maskinen/borret för en oerhörd kraft. Håll i maskinen stadigt och var uppmärksam när borret börjar bryta igenom arbetsstycket.
- Ett fastborrat borr kan lossas helt enkelt genom att sätta rotationsomkopplaren i motsatt rotationsriktning för att backa ut borret. Maskinen kan dock backa ut häftigt om du inte håller i den stadigt.
- Fäst alltid små arbetsstycken i ett skruvstäd eller liknande fasthållande anordning.
- Om maskinen har använts kontinuerligt tills kraftkassetten har laddats ur, bör maskinen tillåtas vila i 15 minuter innan arbetet fortsätts med en ny kraftkasset.

Montering av kassettpärr (separat tillbehör)

Montera alltid kassettpärren om kraftkasset (kraftkasset) 9100, 9102, 9102A för Modell 6207D och 1200, 1202, 1202A för Modell 6217D/6317D används. Montera kassettpärren på maskinen med den medföljande skruven. (Fig. 11)

UNDERHÅLL

FÖRSIKTIGHET:

Tillse alltid att maskinen är fränkopplad och att kraftkassetten tagits ur maskinen innan du påbörjar inspektion eller underhåll.

Utbyte av kolborstar

Ta ur och kontrollera kolborstarna med jämna mellanrum. Byt ut dem om de är nerslitna till slitgränsmarkeringen. Håll kolborstarna rena, så att de lätt kan glida i hållarna. Båda kolborstarna ska bytas ut på samma gång. Använd endast identiskt lika kolborstar. (Fig. 12)

Använd en skruvmejsel för att ta bort kolborsthållarlocken. Ta ur de utslitna kolborstarna, sätt i de nya och sätt sedan tillbaka kolborsthållarlocken. (Fig. 13)

För att upprätthålla produktens SÄKERHET och TILLFÖRLITLIGHET bör reparationer och andra typer av underhåll och justeringar alltid utföras av Makitas fabriksverkstäder eller andra serviceverkstäder som är godkända av Makita, där Makita reservdelar alltid används.

Forklaring til generell oversikt

1	Batteri	9	Hastighetshendel	17	Bits
2	Knapp	10	Funksjonshendel	18	Bitsholder
3	Ladelampe	11	Låseknapp	19	Skruer
4	Batterilader	12	Justeringsring	20	Stilleplate
5	Startbryter	13	Graderinger	21	Slitasjegrense
6	Reverseringshendel	14	Viser	22	Børsteholderhette
7	Medurs	15	Mansjett	23	Skrutrekker
8	Moturs	16	Ring		

TEKNISKE DATA

Modell	6207D	6217D	6317D	6337D	6347D
Kapasitet					
Ståll	10 mm	10 mm	13 mm	13 mm	13 mm
Tre	25,4 mm	25,4 mm	25,4mm	32 mm	38 mm
Treskrue	6 x 75 mm	6 x 75 mm	6 x 75 mm	6 x 75 mm	10 x 89 mm
Maskinskrue	13 mm	13 mm	13 mm	13 mm	13 mm
Tomgangshastighet (min ⁻¹)					
Høy	0 – 1 300	0 – 1 300	0 – 1 300	0 – 1 300	0 – 1 300
Lav	0 – 400	0 – 400	0 – 400	0 – 400	0 – 400
Total lengde	233 mm	233 mm	243 mm	243 mm	243 mm
Nettovekt	1,7 kg	1,9 kg	2,0 kg	2,1 kg	2,4 kg
Klassifisert spenning	D.C 9,6 V	D.C 12 V	D.C 12 V	D.C 14,4 V	D.C 18 V

- Grunnet det kontinuerlige forsknings- og utviklingsprogrammet, forbeholder vi oss retten til å foreta endringer i tekniske data uten forvarsel.
- Merknad: Tekniske data kan variere fra land til land.

Bruksområde

Verktøyet brukes til boring og idrivning av skruer i tre, metal og plast.

Sikkerhetstips

For din egen sikkerhets skyld ber vi deg lese de medfølgende sikkerhetsreglene.

SIKKERHETSREGLER

FOR HURTIGLADER

1. Ta vare på bruksanvisningen — den inneholder viktige sikkerhetsregler og bruksveiledning.
2. Les alle sikkerhetsregler før hurtigladeren taes i bruk.
3. Reduser faren for skader — bruk kun batterier av Makita type. Andre typer batterier kan eksplodere og forårsake skader, både på personer og omgivelsene.
4. Utsett ikke laderen for regn eller snø.
5. Bruk av tilbehør som ikke et anbefalt eller selges av batteriladerens produsent, kan resultere i fare for brann, elektrisk støt eller personskader.
6. Rykk ikke i ledningen for å løsripe støpselet fra kontakten.
7. Sørg for at ledningen ligger slik at ingen trår på eller snubler i den. Hold ledningen unna varme og skarpe kanter.
8. Bruk ikke laderen hvis ledningen eller støpselet er skadet.
9. Har hurtigladeren falt i gulvet eller vært utsatt for slag eller på annen måte vært utsatt for skade, bør den repareres på autorisert verksted.

10. Demonter ikke lader eller batteri på egen hånd. Feil montering kan medføre fare for elektriske støt. La et autorisert verksted utføre reparasjoner hvis nødvendig.
11. Faren for elektriske støt ved rengjøring og vedlikehold reduseres ved å fjerne støpselet fra kontakten. Nullstilling av kontrollbrytere reduserer ikke denne faren.
12. Batteriladeren er ikke beregnet til bruk for mindreårige barn eller personer som trenger oppsyn.
13. Se til at ikke mindreårige barn leker med batteriladeren.
14. Hvis driftstiden blir betraktelig kortere, må driften stanses omgående. Det vil være en risiko for overoppheting, forbrenninger eller til og med en eksplosjon.
15. Skulle du få elektrolytter i øynene, skyll grundig med rent vann og oppsøk lege øyeblikkelig. Det kan være fare for at du mister synet.

SIKKERHETSREGLER

FOR LADER OG BATTERI

1. Viktig! Ikke lad batteriet ved temperaturer under + 10°C eller over + 40°C.
2. Kan ikke brukes med transformator, aggregat eller likeretter.
3. Sørg for at ikke luftehullene er tildekket eller tett igjen (det finnes også luftehull på undersiden).
4. Batteriterminalene må alltid være dekket til med batteridekslet når batteriet ikke er i bruk.

5. Dette kan medføre kortslutning av batteriet:
 - (1) Terminalen må ikke komme i kontakt med strømførende materialer.
 - (2) Unngå å oppbevare batteriet sammen med andre metallgjenstander som f. eks. spikre, mynter etc.
 - (3) Batteriet må ikke utsettes for vann eller regn. Et batteri som kortsluttes kan forårsake stor elektrisk strømavgang, overoppheting, brannskader og driftsstans.
6. Hverken verktøy eller batteri må oppbevares på steder hvor temperaturen kan nå eller overskride +50°C.
7. Kast ikke batteriet på åpen ild, selv om det er ødelagt eller totalt utslitt. Batteriet kan da eksplodere.
8. Batteriet må ikke falle på gulvet, ristes eller utsettes for slag.
9. Batteriet må ikke lades opp inni en beholder av noe slag. Opplading av batteriet må foregå på et sted hvor ventilasjonen er god.

EKSTRA SIKKERHETSREGLER FOR MASKINEN

1. Vær oppmerksom på at maskinen alltid vil være i startposisjon siden den ikke skal koples til strømmettet.
2. Hold verktøyet i de isolerte gripeflatene når du arbeider på steder hvor det kan forekomme skjulte ledninger. Kontakt med en strømførende ledning, vil også føre til at eventuelle metaldeler på verktøyet blir strømførende og forårsake at operatøren utsettes for elektrisk støt.
3. Sørg for godt fotfeste.
4. Pass på at det ikke befinner seg noen under når det arbeides i høyden.
5. Hold maskinen i et fast grep.
6. Hold hendene unna roterende deler.
7. Forlat ikke maskinen når den er igang. Maskinen må bare betjenes når den holdes for hånd.
8. Rør ikke hverken bits eller materiale umiddelbart etter bruk; de kan være meget varme og forårsake forbrenninger.

TA VARE PÅ DISSE INSTRUKSENE.

BRUKSANVISNINGER

Montering og demontering av batteriet (Fig. 1)

- Maskinen må alltid slås av før batteriet settes i eller tas ut.
- Batteriet fjernes fra maskinen ved å trekke det ut samtidig som knappene på begge sider trykkes inn.
- Batteriet settes i ved å passe tungen på batteriet inn etter sporet i kammeret og så skyve det på plass. Batteriet må føres helt inn til det låses på plass med et lite klikk. Hvis dette ikke gjøres kan det falle ut mens maskinen er i bruk og påføre brukeren eller eventuelle tilstedeværende legemsskader.
- Batteriet må ikke settes i med makt. Hvis det ikke med letthet glir på plass er det fordi det settes i på feil måte.

Lading (Fig. 2)

1. Kople batteriladeren til korrekt vekselstrømskontakt. Ladelampen vil blinke grønt.
2. Sett batteriet i slik at pluss- og minuspolene er på samme side som respektive markeringer på høykapasitets batteriladeren. Sett batteriet helt inn slik at den hviler mot bunnen av laderen.
3. Når batteriet settes inn, vil ladelampen skifte farge fra grønn til rød og ladingen begynne. Ladelampen vil lyse under hele ladingen.
4. Når batteriet settes i vil ladelampen skifte farge fra grønn til rød, og ladingen vil begynne.
5. Hvis batteriet blir stående i laderen etter at ladingen er ferdig, vil laderen gå over i "dryppladingsmodus" (vedlikeholdsldning) som vil vare i ca. 24 timer.
6. Etter ladingen koples støpslet fra stikkontakten.

NB!

- Batterilader er til lading av Makita batteri. Den må ikke brukes til andre formål eller til batterier av annet fabrikkat.
- Ved lading av et nytt batteri eller et som ikke har vært i bruk på en stund, kan det være vanskelig å lade det helt opp. Dette er normalt og ikke tegn på noe galt. Batteriet lar seg lade fullt opp etter at det har vært helt utladet og oppladet igjen et par ganger.
- Hvis du lader opp et batteri fra en maskin som nettopp har vært i bruk, eller et batteri som har vært utsatt for direkte sol eller annen varme, vil ladelampen blinke rødt. Hvis dette skjer, venter du en stund. Ladingen starter når batteriet er avkjølt. Batteriet avkjøles raskere hvis det fjernes fra høykapasitets batteriladeren.
- Hvis ladelampen blinker vekselvis i grønt og rødt, tyder det på at noe er galt og lading er derfor ikke mulig. Terminalene på laderen eller batteriet er enten tilstoppet med støv eller batteriet er dødt eller ødelagt.

Dryppladning (vedlikeholdsldning)

Hvis du lar batteriet stå i batteriladeren for å forhindre utlading etter full opplading, vil laderen gå over i "dryppladningsmodus" (vedlikeholdsldning) og holde batteriet i oppladet stand.

Noen tips for å vedlikeholde batteriets maksimale levetid

1. Lad batteriet opp før det blir helt utladet. Stans maskinen og lad opp batteriet så snart du merker at maskineffekten begynner å synke.
2. Lad aldri opp et helt oppladet batteri. Overopplading vil redusere verktøyets levetid.
3. Lad batteriet opp under romtemperatur på 10°C – 40°C. Et varmt batteri bør avkjøles før det lades opp.
4. Nikkelmetallhydrid -batteriet må lades opp når det ikke skal brukes på mer enn 6 måneder.

Se tabellen under om ladetid.

Batteritype	Kapasitet (mAh)	Antall celler	Ladetid
9122	2 000	8	Ca. 45 min.
9133	2 200	8	Ca. 50 min.
9134	2 600	8	Ca. 60min.
9135	3 000	8	Ca. 70 min.
1222	2 000	10	Ca. 45 min.
1233	2 200	10	Ca. 50 min.
1234	2 600	10	Ca. 60min.
1235	3 000	10	Ca. 70 min.
1422	2 000	12	Ca. 45 min.
1433	2 200	12	Ca. 50 min.
1434	2 600	12	Ca. 60min.
1435	3 000	12	Ca. 70 min.
1822	2 000	15	Ca. 45 min.
1833	2 200	15	Ca. 50 min.
1834	2 600	15	Ca. 60min.
1835	3 000	15	Ca. 70 min.

Bryter (Fig. 3)

NB!

Før batteriet settes inn i maskinen, må det sjekkes at bryteren virker som den skal og går tilbake til "OFF" når den slippes.

Maskinen startes ved å trykke på startbryteren. Hastigheten øker med trykket på bryteren. Slipp bryteren for å stoppe.

Reverseringshendel (Fig. 4)

Denne maskinen er utstyrt med en reverseringshendel for å endre rotasjonsretningen. Trykk på reverseringshendelen fra A-siden for medurs rotasjon, eller fra B-siden for moturs rotasjon. Når hendelen er i friposisjon, lar startbryteren seg ikke aktivere.

NB!

- Sjekk alltid rotasjonsretningen før maskinen startes.
- Reverseringshendelen må bare brukes etter at maskinen har stoppet helt. Hvis rotasjonsretningen endres før motoren har stoppet helt, kan det føre til skader på maskinen.
- Når maskinen ikke er i bruk, må reverseringshendelen stilles tilbake til friposisjon.

Hastighetsendring (Fig. 5)

Hastigheten endres ved først å slå av maskinen og så skyve hastighetshendelen mot "2"-siden for høy hastighet og mot "1"-siden lav hastighet. Pass på at hastighetshendelen er i korrekt posisjon før maskinen startes. Velg korrekt hastighet til jobben som skal gjøres.

NB!

- Hastighetshendelen må stilles skikkelig inn på den hastigheten som velges. Hvis maskinen går med bryteren mellom "1"- og "2"-siden, kan maskinen ta skade.
- Hastighetshendelen må ikke betjenes mens maskinen går. Det kan ødelegge maskinen.

Velge funksjonsmodus (Fig. 6)

Verktøyet er utstyrt med en funksjonshendel. Til boring trykkes låseknappen inn og deretter skyves funksjonshendelen mot venstre (☐☐☐ symbolet). Til iskruing skyves funksjonshendelen mot høyre (☐☐☐ symbolet) til den låser seg. Hvis det er vanskelig å dreie hendelen, kan en vri chocken litt hver i retning og så dreie funksjonshendelen igjen.

NB!

- Skyv alltid funksjonshendelen hele veien til ønsket posisjon. Hvis arbeid utføres med hendelen midt mellom funksjonssymbolene, kan verktøyet ødelegges.
- Funksjonshendelen må ikke betjenes mens verktøyet går. Verktøyet kan ødelegges.

Justering av tiltrekningsmomentet (Fig. 7)

Tiltrekningsmomentet kan justeres i 16 trinn ved å dreie justeringsringen slik at graderingene stemmer overens med viseren på maskinen.

Først skyves funksjonshendelen til ☐☐☐ symbolets posisjon.

Tiltrekningsmomentet er minimalt når viseren er innstilt på nummer 1, og maksimalt når viseren er innstilt på markeringen. Clutchen vil slure på diverse momentnivåer når momentinnstillingen er innstilt på mellom 1 og 16. Men den skal ikke slure når maskinen er innstilt på markeringen. Før selve arbeidet utføres, bør det foretas en prøveidring på samme typen materiale som skal brukes, for å finne korrekt tiltrekningsmoment.

NB!

- Justeringsringen låser seg ikke når viseren er plassert midt mellom graderingene.

SAMMENSETTING

NB!

Før det utføres arbeider på maskinen må du alltid forvise seg om at maskinen er slått av og akkumulatoren er tatt ut.

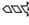
Montering eller demontering av bits (Fig. 8)

Hold fast i ringen og drei mansjetten moturs så chuckklørne åpner seg. Sett bitset inn i chucken så langt det kan komme. Hold godt fast i ringen og drei mansjetten medurs så chucken strammes. Bitset fjernes ved å holde i ringen og dreie mansjetten moturs.

Når driverbitset ikke brukes, oppbevares det i bitsholderen. 45 mm lange bits kan oppbevares i denne holderen. (Fig. 9)

IDRIVING

Idriving av skruer (Fig. 10)

Først skyves funksjonshendelen til  symbolets posisjon og deretter stilles tiltrekningsmomentet inn.

Plasser bitsspissen i skruhodet og øv trykk på maskinen. Start maskinen langsomt og øk hastigheten gradvis. Slipp bryteren straks clutchen kopler seg inn.


NB!

- Skrutrekkerbitset må settes i rett på skruhodet, ellers kan skruer og/eller bits ødelegges.
- Ved idriving av treskruer bør det først bores et ledehull for å gjøre idrivingen lettere og for å hindre oppflising av materialet. Se tabellen under.

Nominell treskruediameter (mm)	Anbefalt ledehullstr (mm)
3,1	2,0–2,2
3,5	2,2–2,5
3,8	2,5–2,8
4,5	2,9–3,2
4,8	3,1–3,4
5,1	3,3–3,6
5,5	3,7–3,9
5,8	4,0–4,2
6,1	4,2–4,4

- Hvis maskinen går kontinuerlig til batteriet går tomt, må maskinen få hvile i 15 minutter før det fortsettes med et oppladet batteri.

Boring

Først skyves funksjonshendelen til  symbolets posisjon.

- Boring i tre
Ved boring i tre, vil beste resultat oppnås med trebor og selvborende skruer. Den selvborende skruen gjør boringen lettere ved at bitset dras inn i arbeidsemnet.
- Boring i metall
For å hindre at bitset glipper i starten av hullboringen, lages det en liten fordykning med kørner og hammer der hullet skal være. Sett bitsspissen i fordypningen og start boringen.
Bruk maskinolje ved boring i metall. Unntakene er jern og messing som må tørrbores.

NB!

- For stort trykk på maskinen vil ikke resultere i at boringen går raskere. Dette vil medføre skadet bits, redusert borekapasitet og forkorte boremaskinens levetid.
- Det utøves voldsomme krefter fra maskinen/bitset idet gjennomboringen skjer. Hold godt fast maskinen og utvis stor forsiktighet når bitset begynner å gå igjennom materialet.
- Et bits som har satt seg fast lar seg lett fjerne ved å sette maskinen i revers så bitset skrur seg ut. Men maskinen kan plutselig slenge tilbake hvis den ikke holdes godt fast.
- Små arbeidsemner må alltid settes fast i en tvinge eller lignende.
- Hvis maskinen går kontinuerlig til batteriet går tomt, må maskinen få hvile i 15 minutter før det fortsettes med et oppladet batteri.

Installere stilleplaten (ekstra tilbehør)

Installer alltid stilleplaten når batteriene 9100, 9102 9102A brukes til modell 6207D, og 1200, 1202, 1202A til modell 6217D/6317D. Installer stilleplaten på verktøyet ved hjelp av den vedlagte skruen. (Fig. 11)

SERVICE

NB!

Før det utføres arbeider på maskinen må du alltid forvise seg om at maskinen er slått av og akkumulatoren er tatt ut.

Skifte av kullbørster

Kullbørstene må tas ut og sjekkes med jevne mellomrom. Skift børstene ut når de er slitt ned til grensemerket. Hold kullbørstene rene slik at de lett glir på plass i holderne. Begge kullbørstene bør skiftes ut samtidig. Bruk bare identiske kullbørster. (Fig. 12)

Bruk en skrutrekker til å fjerne børsteholderhettene med. Ta ut de slitte kullbørstene, sett inn de nye og sett børsteholderhettene tilbake på plass. (Fig. 13)

For å sikre produkt-SIKKERHET og -PÅLITELIGHET, må reparasjoner og øvrig vedlikeholdsarbeid eller justeringer kun utføres av serviceverksted eller fabrikkverksted som er godkjent av Makita, og det må alltid benyttes Makita reservedeler.

Yleiselustus

1 Akku	9 Nopeudenvaihtokytkin	17 Terä
2 Painike	10 Toimintomuodon vaihtokytkin	18 Terän pidin
3 Latausvalo	11 Lukituspainike	19 Ruuvi
4 Akkulaturi	12 Säästörengas	20 Asennuslevy
5 Liipaisinkytkin	13 Asteikko	21 Rajamerkki
6 Suunnanvaihtokytkin	14 Osoitin	22 Harjanpitimen kansi
7 Myötäpäivään	15 Kaulus	23 Ruuvitalta
8 Vastapäivään	16 Rengas	

TEKNISET TIEDOT

Malli	6207D	6217D	6317D	6337D	6347D
Suorituskyky					
Teräs	10 mm	10 mm	13 mm	13 mm	13 mm
Puu	25,4 mm	25,4 mm	25,4mm	32 mm	38 mm
Puuruuvi	6 x 75 mm	6 x 75 mm	6 x 75 mm	6 x 75 mm	10 x 89 mm
Koneruuvi	13 mm	13 mm	13 mm	13 mm	13 mm
Tyhjäkäyntinopeus (min ⁻¹)					
Nopea	0 – 1 300	0 – 1 300	0 – 1 300	0 – 1 300	0 – 1 300
Hidas	0 – 400	0 – 400	0 – 400	0 – 400	0 – 400
Kokonaispituus	233 mm	233 mm	243 mm	243 mm	243 mm
Nettopaino	1,7 kg	1,9 kg	2,0 kg	2,1 kg	2,4 kg
Nimellijännite	9,6 V tasavirta	12 V tasavirta	12 V tasavirta	14,4 V tasavirta	18 V tasavirta

- Jatkuvan tutkimus- ja kehitysohjelman vuoksi pidämme oikeuden muuttaa tässä mainittuja teknisiä ominaisuuksia ilman ennakkoilmoitusta.
- Huomautus: Tekniset ominaisuudet saattavat vaihdella eri maissa.

Käyttötarkoitus

Tämä kone on tarkoitettu poraamiseen ja ruuvien kiinnittämiseen puuhun, metalliin ja muoviin.

Turvaohjeita

Oman turvallisuutesi vuoksi lue mukana seuraavat turvaohjeet.

TÄRKEITÄ TURVAOHJEITA

1. **SÄÄSTÄ KÄYTTÖOHJEET** — Tämä käsikirja sisältää tärkeitä turvaohjeita ja akkulaturin käyttöohjeet.
2. Ennen akkulaturin käyttöä lue kaikki (1) akkulaturin, (2) akun ja (3) koneen käyttöohjeet sekä varoitusmerkinnät niihin kiinnitetyistä kilvistä.
3. **VAROITUS** — Onnettomuuksien välttämiseksi lataa vain MAKITA - merkittyjä, uudelleenladattavia akkuja. Toisenmerkkiset akut voivat ladattaessa räjähtää aiheuttaen mahdollisesti myös henkilöön kohdistuvia onnettomuuksia tai muita vahinkoja.
4. Älä jätä akkulaturia vesisateeseen tai lumeen.
5. Laitteen tai koneen käyttö, jota akkulaturin valmistaja ei ole suositellut tai toimittanut, voi johtaa tulipalon syttymiseen, sähköiskuun tai onnettomuuksiin sitä käyttävälle henkilölle.
6. Pistoke- ja kaapelivaurioiden estämiseksi, vedä mieluummin pistokkeesta kuin kaapelista, akkulaturia pistorasiasta irrottaessasi.
7. Varmista kaapelin sijoitus siten ettei sen päälle voida astua, siihen kompastua tai ettei sitä voida venyttää vetämällä vaurioitteen.
8. Älä käytä akkulaturia kaapelin tai pistokkeen vaurioituttua — uusi ne välittömästi.

9. Älä käytä akkulaturia jos siihen on kohdistunut kova isku tai muuten mahdollisesti vahingoittunut. Toimita akkulaturi ensin sähkölaitehuoltoon tarkistettavaksi.
10. Älä yritä itse korjata akkulaturia. Älä pura itse akkulaturia tai akkupatruunaa, toimita ne sähkölaitehuoltoon tarkistettavaksi ja tarvittaessa huollettavaksi tai korjattavaksi. Virheellinen kokoonpano voi aiheuttaa sähköiskun tai tulipalon syttymisen.
11. Sähköiskuvaaran estämiseksi, irrota akkulaturin pistoke sähköverkon pistorasiasta aina ennen kunnossapitohuollon tai puhdistamisen aloittamista. Virtakatkaisijoiden kääntäminen pois päältä ei poista tätä vaaraa.
12. Akkulataajaa ei ole tarkoitettu nuorten lasten eikä toimintarajoitteisten käytettäväksi ilman valvontaa.
13. Nuorten lasten toimia tulee valvoa sen varmistamiseksi, että he eivät leiki akkulataajalla.
14. Jos käyttöaika lyhenee huomattavasti, lopeta käyttö välittömästi. Tämä voi aiheuttaa ylikuumentumista, mahdollisia palovammoja ja jopa räjähdysten.
15. Jos akkunestettä joutuu silmiin, huuhtele ne puhtaalla vedellä ja hakeudu heti lääkärin hoitoon. Tämä voi aiheuttaa näön menetyksen.

LISÄ-TURVAOHJEITA AKKULATURIA JA AKKUPARISTOA VARTEN

1. Älä lataa akkuparistoa jos lämpötila on alle + 10°C tai yli + 40°C.
2. Älä yritä lataamista säästömuuntajalla, moottorilaturilla tai tasavirtapistorasialla, käytä vain MAKITA-akkulaturia.
3. Älä peitä akkulaturia. Estä tuuletusaukkojen tukkeutuminen.
4. Peitä akkuliittimet aina akkukannella, kun akkua ei käytetä.

5. **Älä kytke akkua oikosulkuun:**
 - (1) Älä kosketa napoja sähköä johtavilla esineillä.
 - (2) Älä säilytä akkua muiden metalliesineiden joukossa, kuten naulat, kolikot, työkalut, jne.
 - (3) Älä jätä akkua veteen tai sateeseen. Oikosulku akussa voi aiheuttaa suuren virtahäviön, ylikuumenemisen, mahdollisia palovammoja sekä rikkoutumisen.
6. Älä säilytä konetta ja akkuparistoa kohteissa, joissa lämpötila voi nousta tai ylittää +50°C.
7. Älä hävitä akkuparistoa polttamalla vaikka se olisiikin pahoin vaurioitunut tai täydellisesti loppuunkulunut. Akkuparisto voi räjähtää tuleessa.
8. Varo pudottamasta, ravistamasta tai iskemästä akkua.
9. Älä säilytä akkua laatikossa tai muussa suljetussa tilassa. Akun on oltava latauksen aikana tilassa, jossa on hyvä ilmanvaihto.

LISÄÄ KONETTA KOSKEVIA TURVAOHJEITA

1. Huomaa, että tämä kone on aina toimintavalmiina, sillä sen ei tarvitse olla kytkettyinä seinäpistorasiaan.
2. Tartu laitteeseen eristetyistä tartuntapinnoista tehdessäsi työtä, jossa terä voi osua piilossa olevaan johtoon. Jännitteeseen johtoon osuminen saa myös laitteen esillä olevat metalliosat jännitteisiksi, jolloin käyttäjä voi saada sähköiskun.
3. Pidä huolta, että sinulla on aina tukeva jalansija.
4. Varmista, että allasi ei ole ketään, kun käytät konetta korkeissa paikoissa.
5. Pitele konetta tiukasti.
6. Pidä kädet poissa pyörivistä osista.
7. Älä jätä konetta käyntiin. Käytä konetta ainoastaan sen ollessa käsissäsi.
8. Älä kosketa poranterä äläkä työkalua välietäisesti työskentelyn jälkeen. Ne saattavat olla erittäin kuumia ja voivat polttaa ihoasi.

SÄILYTÄ NÄMÄ OHJEET.

KÄYTTÖOHJEET

Akun kiinnittäminen ja irrottaminen (Kuva 1)

- Sammuta kone aina ennen akun kiinnittämistä ja irrottamista.
- Akku irrotetaan vetämällä se koneesta samalla kun painetaan akun molemmilla sivuilla olevia painikkeita.
- Akku kiinnitetään asettamalla akun kieleke kotelossa olevaan uraan ja sujauttamalla se paikalleen. Työnnä akku aina perille saakka, kunnes se napsahtaa paikalleen. Jos et toimi näin, akku saattaa vahingossa irrota koneesta aiheuttaen itsesi tai sivullisen loukkaantumisen.
- Älä työnnä akkua väkisin paikalleen. Jos akku ei liu'u helposti paikalleen, ei kiinnitystapa ole oikea.

Lataaminen (Kuva 2)

1. Liitä akun lataaja sopivaan vaihtovirtapistorasiaan. Latausvalo vilkkuu vihreänä.
2. Työnnä akku paikalleen siten, että akun plus- ja miinusnavat ovat samalla puolella kuin vastaavat merkinnät akun tehoolataajassa. Työnnä akku kokonaan aukkoon siten, että se lepää lataajan aukon pohjalla.
3. Kun akku on asetettu paikalleen, latausvalo vaihtuu vihreästä punaiseksi ja lataus alkaa. Latausvalo palaa tasaisesti latauksen aikana.
4. Kun latausvalon väri vaihtuu punaiseksi, lataaminen on päättynyt.
5. Latausaika on noin tunti. Jos akku jätetään laturiin lataamisen päätyttyä, laturi siirtyy "kestolatausmuodolle" (jatkuvalle lataukselle), joka kestää noin 24 tuntia.
6. Irrota lataajan virtajohto pistorasiasta latauksen jälkeen.

VARO:

- Akkulataaja on tarkoitettu Makita-akun lataamiseen. Älä koskaan käytä sitä muihin tarkoituksiin tai muiden valmistajien akkujen lataamiseen.
- Kun lataat uuden akun tai akun, jota ei ole käytetty pitkään aikaan, se ei ehkä lataudu täyteen. Tämä on normaalia eikä se ole osoitus viasta. Akku voidaan ladata täyteen, kun se on purettu kokonaan ja ladattu muutama kerran.
- Jos lataat akun, jota on juuri käytetty koneessa tai pitkään auringonvalolle tai kuumuudelle alttiina olleen akun, latausvalo saattaa vilkkua punaisena. Jos näin käy, odota hetken aikaa. Lataaminen alkaa, kun akku on jäähtynyt. Akku jäähtyy nopeammin, jos irrotat sen tehoolataajasta.
- Jos latausvalo vilkkuu vuorotellen vihreänä ja punaisena, on kyseessä häiriö eikä lataus ole mahdollista. Laturin tai akun liittimet ovat likaiset tai akku on loppuunkulunut tai vioittunut.

Heikkovirtalataus

Jos jätät akun laturiin estääksesi akun tyhjenemisen itsestään täyteen lataamisen jälkeen, laturi kytketty heikkovirtalatausmuodolle, joka pitää akun jatkuvasti täydessä latauksessa.

Vinkejä akun käyttöiän maksimoimiseksi

1. Lataa akku, ennen kuin se on kokonaan tyhjennetty. Lopeta aina laitteella työskentely ja lataa akku, jos huomaat voiman vähenevän laitteesta.
2. Älä koskaan lataa täyteen ladattua akkua. Liiallinen lataaminen lyhentää akun käyttöikää.
3. Lataa akku huoneenlämpötilassa 10°C – 40°C. Anna kuumen akku viilentyä ennen sen lataamista.
4. Lataa nikkelimetalli-hybridiaakku, jos et käytä sitä yli kuuteen kuukauteen.

Katso latausaika alla olevasta taulukosta.

Akkutyyppi	Kapasiteetti (mAh)	Kennojen lukumäärä	Latausaika
9122	2 000	8	Noin 45 min.
9133	2 200	8	Noin 50 min.
9134	2 600	8	Noin 60 min.
9135	3 000	8	Noin 70 min.
1222	2 000	10	Noin 45 min.
1233	2 200	10	Noin 50 min.
1234	2 600	10	Noin 60 min.
1235	3 000	10	Noin 70 min.
1422	2 000	12	Noin 45 min.
1433	2 200	12	Noin 50 min.
1434	2 600	12	Noin 60 min.
1435	3 000	12	Noin 70 min.
1822	2 000	15	Noin 45 min.
1833	2 200	15	Noin 50 min.
1834	2 600	15	Noin 60 min.
1835	3 000	15	Noin 70 min.

Kytkimen käyttäminen (Kuva 3)

VARO:

Ennen kuin kiinnität akun koneeseen, tarkista aina, että liipaisinkytkin toimii moitteettomasti ja että se palautuu vapautettaessa "OFF" -asentoon.

Kone käynnistetään yksinkertaisesti painamalla liipaisinta. Koneen käyntinopeus kasvaa puristettaessa liipaisinta voimakkaammin. Kone pysähtyy, kun liipaisin vapautetaan.

Suunnanvaihtokytkimen käyttäminen (Kuva 4)

Tässä koneessa on suunnanvaihtokytkin, jonka avulla voidaan vaihtaa pyörimissuuntaa. Paina suunnanvaihtokytkimen A-puolelta, kun haluat terän pyöriävän myötäpäivään ja B-puolelta kun haluat terän pyöriävän vastapäivään. Liipaisinkytkintä ei voi painaa, kun suunnanvaihtokytkin on keskiasennossa.

VARO:

- Tarkista aina terän pyörimissuunta ennen käyttöä.
- Käytä suunnanvaihtokytöntä ainoastaan koneen ollessa täysin pysähtynyt. Pyörimissuunnan vaihtaminen ennen koneen pysähtymistä saattaa vahingoittaa konetta.
- Aseta suunnanvaihtokytkin keskiasentoon, kun konetta ei käytetä.

Käyntinopeuden muuttaminen (Kuva 5)

Kun haluat muuttaa käyntinopeutta, sammuta ensin kone ja siirrä sitten nopeudenvaihtokytkin "2"-puolelle nopeaa käyntiä varten ja "1"-puolelle hidasta käyntiä varten. Varmista, että nopeudenvaihtokytkin on asetettu oikeaan asentoon ennen työskentelyn aloittamista. Käytä työellesi sopivaa nopeutta.

VARO:

- Aseta nopeudenvaihtokytkin aina oikeaan asentoon. Jos konetta käytetään nopeudenvaihtokytkimen ollessa "1" ja "2" asentojen välissä, kone saattaa vahingoittua.
- Älä käytä nopeudenvaihtokytöntä koneen käydessä. Kone saattaa vahingoittua.

Toimintomuodon valitseminen (Kuva 6)

Tässä koneessa on toimintomuodon vaihtokytkin. Kun haluat porata, paina lukituspainiketta ja siirrä sitten toimintomuodon vaihtokytöntä vasemmalle (□□□ symboli). Kun haluat ruuvata, siirrä toimintomuodon vaihtokytöntä oikealle (☞ symboli), kunnes se lukittuu paikalleen. Jos kytkimen kääntäminen on vaikeaa, kierrä ensin istukkaa hieman jompaankumpaan suuntaan ja siirrä sitten kytkintä.

VARO:

- Siirrä toimintomuodon vaihtokytkin aina kokonaan haluamaasi asentoon. Jos käytät konetta toimintomuodon vaihtokytkimien ollessa toimintomuotoja kuvaavien symbolien välissä, kone voi vioittua.
- Älä käytä toimintomuodon vaihtokytöntä koneen käydessä. Kone voi vioittua.

Kiinnitysmomentin säätäminen (Kuva 7)

Kiinnitysmomenttia voidaan säätää 16 portaassa kääntämällä säätörengasta siten, että sen asteikon lukemat osuvat koneen rungossa olevan osoittimen kanssa kohdakkain.

Siirrä ensin toimintomuodon vaihtokytkin ☞ symbolin kohdalle.

Heikoin kiinnitysmomentti saadaan, kun osoitin on numeron 1 kohdalla ja suurin, kun osoitin on merkin kohdalla. Kytkinjarru alkaa luistaa useilla momenttitasoilla, kun on valittu lukema väliiltä 1 – 16. Kytkin on suunniteltu siten, että se ei luista merkin kohdalla. Kiinnität koeruuvi työkappaleeseen tai samaa ainetta olevaan toiseen kappaleeseen ennen varsinaisen työskentelyn aloittamista määrittäaksesi juuri näihin oloihin sopivan kiinnitysmomentin.

VARO:

- Säätörengas ei lukitu paikalleen, jos osoitin on asteikon lukemien välissä.

KOKOAMINEN

VARO:

Varmistaudu aina ennen kaikkia koneelle suoritettavia töitä, että kone on pysäytetty ja akku irrotettu.


Vääntöterän ja poranterän kiinnittäminen ja irrottaminen (Kuva 8)

Avaa istukan leuat pitämällä rengasta paikallaan samalla kun käännät kaulusta vastapäivään. Työnnä terä niin syväälle istukkaan kuin se menee. Pitele rengasta tiukasti ja käännä kaulusta myötäpäivään kiristääksesi istukan. Terä irrotetaan pitämällä rengasta paikallaan samalla kun kaulusta käännetään vastapäivään. Säilytä vääntöterää terän pitimessä, kun sitä ei käytetä. Pitimessä voidaan säilyttää 45 mm pituisia teriä.

(Kuva 9)

KÄYTTÖOHJEET

Ruuvaaminen (Kuva 10)

Siirrä ensin toimintomuodon vaihtokytkin  symbolin kohdalle ja valitse sitten kiinnitysmomentti.

Aseta vääntöterän kärki ruuvin kantaan ja paina konetta. Käynnistä kone hitaasti ja lisää nopeutta vähitellen. Vapauta liipaisin, kun kytkinjarru käynnistyy.


VARO:

- Varmista, että vääntöterä on asetettu suoraan ruuvin kantaan. Muutoin ruuvi ja/tai terä saattaa vahingoittua.
- Kun kiinnität puuruuveja, poraa koareikiä helpottaaksesi kiinnittämistä ja estääksesi työkappaleen halkeamisen. Katso alla olevaa taulukkoa.

Puuruuvin nimellishalkaisija (mm)	Koareiän suositeltava koko (mm)
3,1	2,0–2,2
3,5	2,2–2,5
3,8	2,5–2,8
4,5	2,9–3,2
4,8	3,1–3,4
5,1	3,3–3,6
5,5	3,7–3,9
5,8	4,0–4,2
6,1	4,2–4,4

- Jos konetta käytetään jatkuvasti, kunnes akku on tyhjentynyt, annan koneen levätä 15 minuutin ajan, ennen kuin jatkat työskentelyä uudella akulla.

Poraaminen

Siirrä ensin toimintomuodon valintakytkin  symbolin kohdalle.

- Poraaminen puuhun

Kun poraat puuhun, saat parhaan tuloksen käyttämällä ohjausruuviin varustettuja puuporia. Ohjausruuvi vetää terän työkappaleeseen, mikä helpottaa poraamista.

- Poraaminen metalliin

Iske porattavaan kohtaan syvennys pistepuikolla ja vasaralla estääksesi terää liukumasta, kun reiän poraaminen alkaa. Aseta terän kärki syvennykseen ja aloita poraaminen.

Käytä lastuamisnestettä, kun poraat metalliin. Poikkeuksen muodostavat rauta ja messinki. Niihin porataan kuivina.

VARO:

- Koneen liiallinen painaminen ei nopeuta poraamista. Itse asiassa tämä vain vahingoittaa terän kärkeä, heikentää koneen toimintaa ja lyhentää koneen käyttöikää.
- Läpiorautumisen hetkellä koneeseen/terään kohdistuu suuri voima. Pitele konetta tiukasti ja ole varovainen, kun terä alkaa työntyä esiin työkappaleen toiselta puolelta.
- Kiinni juuttunut terä voidaan irrottaa yksinkertaisesti asettamalla pyörimissuunta päinvastaiseksi, jolloin terä työntyy ulos. Kone saattaa kuitenkin työntyä taaksepäin äkillisesti, ellei pidä siitä lujasti kiinni.
- Kiinnitä pienet työkappaleet aina ruuvipuristimeen tai vastaavaan pitimeen.
- Jos konetta käytetään jatkuvasti, kunnes akku on tyhjentynyt, annan koneen levätä 15 minuutin ajan, ennen kuin jatkat työskentelyä uudella akulla.

Asennuslevyn kiinnittäminen (lisävaruste)

Kiinnitä aina asennuslevy käyttäessäsi akkua 9100, 9102, 9102A mallissa 6207D ja akkua 1200, 1202, 1202A mallissa 6217D/6317D. Kiinnitä asennuslevy laitteeseen varusteisiin kuuluvalla ruuvilla. (Kuva 11)

HUOLTO

VARO:

Varmista aina ennen tarkastus- ja kunnossapitotoimia, että kone on sammutettu ja että kone on pysäytetty ja akku irrotettu.

Hiilien vaihto

Irrota ja tarkista harjahielet säännöllisesti. Vaihda ne uusiin, kun ne ovat kuluneet rajamerkkiin asti. Pidä harjahielet puhtaina ja vapaina liukumaan pitimissään. Molemmat harjahielet tulee vaihtaa samalla kertaa uusiin. Käytä vain keskenään samanlaisia harjahieviä. (Kuva 12)

Irrota harjahielet kannet ruuvitaltalla. Irrota kuluneet harjahielet, aseta uudet paikalleen ja kiinnitä harjahielet. (Kuva 13)

Tuotteen TURVALLISUUDEN ja LUOTETTAVUUDEN takaamiseksi korjaukset, huollot ja säädöt tulee jättää Makitan valtuuttaman huollon tai tehtaan huollon tehtäväksi käyttäen vain Makitan varaosia.

Περιγραφή γενικής άποψης

1	Κασέτα μπαταρίας	9	Μοχλός αλλαγής ταχύτητας	17	Αιχμή
2	Πλήκτρο	10	Κουμπί αλλαγής τρόπου λειτουργίας	18	Θήκη αιχμής
3	Φωτάκι φόρτισης	11	Κουμπί ασφάλισης	19	Βίδα
4	Φορτιστής	12	Δακτυλίδι ρύθμισης	20	Πλάκα ρύθμισης
5	Σκανδάλη διακόπτης	13	Διαβαθμίσεις	21	Σημάδι ορίου
6	Μοχλός αντιστροφής διακόπτη	14	Δείκτης	22	Κάλυμμα συγκρατητή βούρτσας
7	Δεξιόστροφα	15	Μανίκι	23	Καταβιδί
8	Αριστερόστροφα	16	Δακτυλίδι		

ΤΕΧΝΙΚΑ ΧΑΡΑΚΤΗΡΙΣΤΙΚΑ

Μοντέλο	6207D	6217D	6317D	6337D	6347D
Ικανότητες					
Ατσάλι	10 χιλ.	10 χιλ.	13 χιλ.	13 χιλ.	13 χιλ.
Ξύλο	25,4 χιλ.	25,4 χιλ.	25,4 χιλ.	32 χιλ.	38 χιλ.
Ξυλόβιδα	6 χιλ. x 75 χιλ.	6 χιλ. x 75 χιλ.	6 χιλ. x 75 χιλ.	6 χιλ. x 75 χιλ.	10 χιλ. x 89 χιλ.
Βίδα μηχανής	13 χιλ.	13 χιλ.	13 χιλ.	13 χιλ.	13 χιλ.
Ταχύτητα χωρίς φορτίο (min ⁻¹)					
Υψηλή	0 – 1.300	0 – 1.300	0 – 1.300	0 – 1.300	0 – 1.300
Χαμηλή	0 – 400	0 – 400	0 – 400	0 – 400	0 – 400
Συνολικό μήκος	233 χιλ.	233 χιλ.	243 χιλ.	243 χιλ.	243 χιλ.
Καθαρό βάρος	1,7 Χγρ.	1,9 Χγρ.	2,0 Χγρ.	2,1 Χγρ.	2,4 Χγρ.
Καθορισμένο βολτάζ D.C.	9,6 V	12 V	12 V	14,4 V	18 V

- Λόγω του συνεχιζόμενου προγράμματος έρευνας και ανάπτυξης, οι παρούσες προδιαγραφές υπόκεινται σε αλλαγή χωρίς προειδοποίηση.
- Παρατήρηση: Τα τεχνικά χαρακτηριστικά μπορεί να διαφέρουν από χώρα σε χώρα.

Προοριζόμενη χρήση

Το εργαλείο χρησιμοποιείται για τρυπάνισμα και βιδώμα σε υλικά από ξύλο, μέταλλο, και πλαστικό.

Υποδείξεις ασφάλειας

Για την προσωπική σας ασφάλεια, ανατρέξτε στις εσωκλειστές οδηγίες ασφάλειας.

ΣΗΜΑΝΤΙΚΕΣ ΟΔΗΓΙΕΣ ΑΣΦΑΛΕΙΑΣ ΓΙΑ ΣΥΣΚΕΥΗ ΦΟΡΤΙΣΗΣ ΚΑΙ ΜΠΑΤΑΡΙΑ

1. **ΦΥΛΑΞΕΤΕ ΑΥΤΕΣ ΤΙΣ ΟΔΗΓΙΕΣ** — Αυτό το εγχειρίδιο περιέχει σημαντικές οδηγίες ασφαλείας και χρήσης της συσκευής φόρτισης.
2. Πριν χρησιμοποιήσετε τη συσκευή φόρτισης, διαβάστε όλες τις οδηγίες και προειδοποιητικά σημεία (1) στην συσκευή φόρτισης, (2) στη μπαταρία, και (3) στη συσκευή που χρησιμοποιεί την μπαταρία.
3. **ΠΡΟΣΟΧΗ** — Για να μειωθεί ο κίνδυνος τραυματισμού, φορτίζετε μόνο μπαταρίες ΜΑΚΙΤΑ επαναφορτιζόμενου τύπου. Μπαταρίες άλλου τύπου μπορεί να εκραγούν, πληγώνοντας σας και προκαλώντας ζημιές.
4. Μην εκθέσετε τη συσκευή φόρτισης σε βροχή ή χιόνι.
5. Χρήση εξαρτήματος που δεν συστήνεται ή δεν πωλείται από τον κατασκευαστή της συσκευής φόρτισης μπορεί να προκαλέσει φωτιά, ηλεκτρικό σοκ, ή να σας τραυματίσει.

6. Για να μειωθεί ο κίνδυνος ζημιάς στην πρίζα και στο καλώδιο, όταν αποσυνδέετε τη συσκευή φόρτισης από την παροχή ρεύματος, πιάνετε και τραβάτε από την πρίζα και όχι από το καλώδιο.
7. Βεβαιωθείτε ότι το καλώδιο βρίσκεται σε θέση που ούτε θα το πατήσουν ούτε θα σκοντάψουν πάνω του ούτε μπορεί να πάθει ζημιά με οποιοδήποτε τρόπο.
8. Μη χρησιμοποιείτε τη συσκευή φόρτισης αν το καλώδιο ή η πρίζα της έχουν πάθει ζημιά — αντικαταστήστε τα αμέσως.
9. Μη χρησιμοποιείτε την συσκευή σε περίπτωση που έχει υποστεί δυνατό κτύπημα, έχει πέσει κάτω, ή έχει πάθει οποιαδήποτε ζημιά. Αναθέστε την επισκευή σε εξουσιοδοτημένο τεχνίτη.
10. Μην αποσυναρμολογείτε τη συσκευή φόρτισης ή τη μπαταρία. Πάρτε την σε εξουσιοδοτημένο τεχνίτη όταν χρειάζεται επισκευή ή σέρβις. Λανθασμένη επανασυναρμολόγηση μπορεί να οδηγήσει σε κίνδυνο ηλεκτρικού σοκ ή φωτιάς.
11. Για να μειωθεί ο κίνδυνος ηλεκτρικού σοκ, αποσυνδέστε τη συσκευή φόρτισης από την παροχή ρεύματος πριν κάνετε οποιαδήποτε συντήρηση ή καθαρισμό της. Μόνο με το να σβήσετε τη συσκευή αυτός ο κίνδυνος δε μειώνεται.
12. Ο φορτιστής μπαταρίας δεν προορίζεται για χρήση από μικρά παιδιά ή άτομα με ασαφή συμπεριφορά χωρίς επίβλεψη.
13. Τα μικρά παιδιά θα πρέπει να επιβλέπονται για να διασφαλισθεί ότι δεν παίζουν με τον φορτιστή μπαταρίας.
14. Εάν ο χρόνος λειτουργίας έχει γίνει πολύ μικρότερος, σταματήστε τη λειτουργία αμέσως. Μπορεί να συμβεί υπερθέρμανση, πιθανώς καψίματα ή ακόμη και έκρηξη.

- Εάν μπει ηλεκτρολύτης στα μάτια σας, ξεπλύνετε τα με καθαρό νερό και απευθυνθείτε σε ένα γιατρό αμέσως. Μπορεί να χάσετε ακόμη και την όραση σας.

ΕΠΙΠΡΟΣΘΕΤΟΙ ΚΑΝΟΝΕΣ ΑΣΦΑΛΕΙΑΣ ΓΙΑ ΣΥΣΚΕΥΗ ΦΟΡΤΙΣΗΣ ΚΑΙ ΜΠΑΤΑΡΙΑ

- Μη φορτίζετε τη μπαταρία όταν η θερμοκρασία είναι ΚΑΤΩ από 10°C ή ΠΑΝΩ από 40°C.
- Μη χρησιμοποιείτε ποτέ μετασχηματιστή ανύψωσης τάσης, γεννήτρια, ή υποδοχή συνεχούς ρεύματος.
- Μην αφήσετε οτιδήποτε να καλύψει ή να μπλοκάρει της οπές εξαερισμού του φορτιστή.
- Πάντοτε να έχετε τους πόλους της μπαταρίας καλυμμένους με το κάλυμμα της όταν δεν την χρησιμοποιείτε.
- Μη βραχυκυκλώσετε την κασέτα μπαταρίας:
 - (1) Μην αγγίζετε τους πόλους με κανένα αγώγιμο υλικό.
 - (2) Αποφύγετε την αποθήκευση της κασέτας μπαταρίας σε δοχείο με άλλα μεταλλικά αντικείμενα όπως καρφιά, νομίσματα, κλπ.
 - (3) Μην εκθέτετε την κασέτα μπαταρίας σε νερό ή σε βροχή.

Ενα βραχυκύκλωμα μπαταρίας μπορεί να προκαλέσει μεγάλη ροή ρεύματος, υπεθέρμανση, πιθανά εγκαύματα και ακόμη μηχανική βλάβη.

- Μη φυλάσσετε τη μηχανή και τη μπαταρία σε μέρη που η θερμοκρασία μπορεί να φθάσει ή να ξεπεράσει τους 50°C.
- Μη κάψετε την μπαταρία ακόμα και αν έχει πάθει σοβαρές ζημιές ή έχει εντελώς φθαρεί. Η μπαταρία μπορεί να εκραγεί στην φωτιά.
- Προσέχετε να μη ρίξετε κάτω, ταρακουνήσετε ή χτυπήσετε τη μπαταρία.
- Μη φορτίσετε τη μπαταρία μέσα σε ένα κουτί ή δοχείο οποιουδήποτε είδους. Η μπαταρία πρέπει να τοποθετηθεί σε ένα καλά εξαεριζόμενο χώρο κατά τη διάρκεια της φόρτισης.

ΕΠΙΠΡΟΣΘΕΤΕΣ ΟΔΗΓΙΕΣ ΑΣΦΑΛΕΙΑΣ ΓΙΑ ΤΟ ΜΗΧΑΝΗΜΑ

- Έχετε υπόψη σας ότι το μηχανήμα αυτό βρίσκεται πάντα σε κατάσταση λειτουργίας γιατί δεν χρειάζεται να συνδεθεί στο ρεύμα.
- Κρατείστε το εργαλείο από τις μονωμένες επιφάνειες της λαβής όταν εκτελείτε μια εργασία όπου το εργαλείο κοπής ίσως έρθει σε επαφή με κρυμμένα καλώδια. Επαφή με ένα ενεργό ηλεκτροφόρο καλώδιο θα κάνει και και τα εκτεθειμένα μεταλλικά κομμάτια του εργαλείου ενεργά και θα προκαλέσει ηλεκτροπληξία στον χειριστή.
- Πάντοτε βεβαιώνετε ότι έχετε καλή στήριξη ποδιών.
- Βεβαιώνετε ότι δεν βρίσκεται κανείς από κάτω όταν χρησιμοποιείτε το μηχανήμα σε ψηλά μέρη.
- Κρατάτε το μηχανήμα σταθερά.
- Κρατάτε τα χέρια σας μακριά από τα περιστρεφόμενα μέρη.

- Μην αφήνετε το μηχανήμα σε λειτουργία. Λειτουργείτε το μηχανήμα μόνο όταν το κρατάτε στα χέρια.
- Μην αγγίζετε την αιχμή ή το αντικείμενο εργασίας αμέσως μετά τη λειτουργία. Μπορεί να είναι εξαιρετικά θερμά και να σας προκαλέσουν εγκαύματα.

ΦΥΛΑΞΤΕ ΑΥΤΕΣ ΤΙΣ ΟΔΗΓΙΕΣ.

ΟΔΗΓΙΕΣ ΧΡΗΣΗΣ

Τοποθέτηση ή αφαίρεση της κασέτας μπαταρίας (Εικ. 1)

- Πάντοτε σβήνετε το μηχανήμα πριν τοποθετήσετε ή αφαιρέσετε την κασέτα μπαταρίας.
- Για να αφαιρέσετε τη κασέτα μπαταρίας, τραβήχτε τη έξω από το μηχανήμα ενώ πιέζετε τα πλήκτρα και στις δύο πλευρές της κασέτας.
- Για να τοποθετήσετε τη κασέτα μπαταρίας, ευθυγραμμίστε τη γλώσσα στη κασέτα μπαταρίας με την εγκοπή στο περίβλημα και σύρετε τη στη θέση της. Πάντα βάζετε τη βαθείά μέσα μέχρι να κλειδώσει στη θέση της με ένα μικρό κλικ. Διαφορετικά, μπορεί να πέσει έξω από το μηχανήμα, και να τραυματίσει εσάς ή κάποιον άλλο.
- Μη βάζετε δύναμη όταν τοποθετείτε την κασέτα μπαταρίας. Εάν η κασέτα δεν εισέρχεται με ευκολία, δεν είναι τοποθετημένη σωστά.

Φόρτιση (Εικ. 2)

- Συνδέστε τον φορτιστή στην κατάλληλη παροχή εναλλασσόμενου ρεύματος. Το φωτάκι φόρτισης θα αναβοσβήνει με πράσινο χρώμα.
- Βάλτε την κασέτα μπαταρίας έτσι ώστε ο θετικός και ο αρνητικός πόλος της κασέτας μπαταρίας να είναι στις ίδιες πλευρές με τα αντίστοιχα σημεία στον υψηλής χωρητικότητας φορτιστή μπαταρίας. Βάλτε την μπαταρία πλήρως μέσα στην υποδοχή έτσι ώστε να καθήσει στο πάτωμα της υποδοχής του φορτιστή.
- Όταν η κασέτα μπαταρίας έχει τοποθετηθεί, το χρώμα στο φωτάκι φόρτισης θα αλλάξει από πράσινο σε κόκκινο και η φόρτιση θα αρχίσει. Το φωτάκι φόρτισης θα παραμείνει αναμμένο σταθερά κατά την διάρκεια της φόρτισης.
- Όταν το λαμπάκι φόρτισης αλλάξει από πράσινο σε κόκκινο, ο κύκλος φόρτισης έχει συμπληρωθεί.
- Εάν αφήσετε την κασέτα μπαταρίας στον φορτιστή μετά την συμπλήρωση του κύκλου φόρτισης, ο φορτιστής θα αλλάξει στην διαμόρφωση “στιγμιαία φόρτιση (φόρτιση συντήρησης)” η οποία θα διαρκέσει περίπου για ένα εικοσιτετράωρο.
- Μετά τη φόρτιση, αποσυνδέστε το φορτιστή από την παροχή ρεύματος.

ΠΡΟΣΟΧΗ:

- Το μοντέλο φορτιστής μπαταρίας είναι για φόρτιση κασέτας μπαταρίας Μάκιτα. Ποτέ μη το χρησιμοποιήσετε για άλλους σκοπούς ή για φόρτιση μπαταριών άλλων κατασκευαστών.
- Όταν φορτίζετε μία καινούργια κασέτα μπαταρίας, ή μία κασέτα μπαταρίας που δεν έχει χρησιμοποιηθεί για πολύ καιρό, μπορεί να μη δέχεται πλήρη φόρτιση. Αυτή είναι μία κανονική κατάσταση και δεν σημαίνει ότι υπάρχει πρόβλημα. Μπορείτε να επαναφορτίσετε τη κασέτα μπαταρίας πλήρως αφού την εκφορτίσετε τελειώς και την επαναφορτίσετε δύο φορές.
- Εάν φορτίζετε μία κασέτα μπαταρίας από ένα μηχάνημα που μόλις χρησιμοποιήθηκε ή μία κασέτα μπαταρίας που έχει εκτεθεί στο άμεσο ηλιακό φως ή σε ζέστη για μεγάλο χρονικό διάστημα, το φωτάκι φόρτισης μπορεί να αναβοσβήνει σε κόκκινο χρώμα. Εάν αυτό συμβεί, περιμένετε για λίγο. Η φόρτιση θα αρχίσει αφού η κασέτα μπαταρίας κρυώσει. Η κασέτα μπαταρίας θα ψυχθεί γρηγορότερα εάν την αφαιρέσετε από τον υψηλής χωρητικότητας φορτιστή μπαταρίας.
- Εάν το φωτάκι φόρτισης αναβοσβήνει εναλλακτικά με πράσινο και κόκκινο χρώμα, ένα πρόβλημα υπάρχει και η φόρτιση δεν είναι δυνατή. Οι πόλοι του φορτιστή ή της κασέτας μπαταρίας είναι βουλωμένοι από τη σκόνη ή κασέτα μπαταρίας είναι φθαρμένη ή έχει βλάβη.

Στιγμιαία φόρτιση (Φόρτιση συντήρησης)

Εάν έχετε αφήσει την κασέτα μπαταρίας στον φορτιστή για να προλάβετε αυθόρμητη αποφόρτιση μετά από πλήρη φόρτιση, ο φορτιστής θα αλλάξει στη διαμόρφωση της “στιγμιαίας φόρτισης” (φόρτιση συντήρησης) και θα κρατήσει την κασέτα μπαταρίας φρέσκια και πλήρως φορτισμένη.

Συμβουλές για την διατήρηση της μέγιστης ζωής της μπαταρίας

1. Αλλάξτε την κασέτα μπαταρίας πριν αποφορτιστεί τελειώς.
Πάντα σταματείτε την λειτουργία του μηχανήματος και φορτίστε την κασέτα μπαταρίας όταν παρατηρήσετε μειωμένη δύναμη του μηχανήματος.
2. Ποτέ μην επαναφορτίζετε μια πλήρως φορτισμένη κασέτα μπαταρίας.
Η υπερφόρτιση μικραίνει την ωφέλιμη ζωή της μπαταρίας.
3. Φορτίστε την κασέτα μπαταρίας σε θερμοκρασία δωματίου στους 10°C – 40°C.
Αφήστε μία ζεστή κασέτα μπαταρίας να κρυώσει προτού την φορτίσετε.
4. Φορτίστε την κασέτα μπαταρίας Νικελίου Μεταλλικού Υδριδίου όταν δεν την έχετε χρησιμοποιήσει για έξι μήνες.

Ανατρέξτε στον παρακάτω πίνακα για το χρόνο φόρτισης.

Τύπος μπαταρίας	Χωρητικότητα	Αριθμός κυψελών	Χρόνος φόρτισης
9122	2.000	8	Περίπου 45 λ.
9133	2.200	8	Περίπου 50 λ.
9134	2.600	8	Περίπου 60 λ.
9135	3.000	8	Περίπου 70 λ.
1222	2.000	10	Περίπου 45 λ.
1233	2.200	10	Περίπου 50 λ.
1234	2.600	10	Περίπου 60 λ.
1235	3.000	10	Περίπου 70 λ.
1422	2.000	12	Περίπου 45 λ.
1433	2.200	12	Περίπου 50 λ.
1434	2.600	12	Περίπου 60 λ.
1435	3.000	12	Περίπου 70 λ.
1822	2.000	15	Περίπου 45 λ.
1833	2.200	15	Περίπου 50 λ.
1834	2.600	15	Περίπου 60 λ.
1835	3.000	15	Περίπου 70 λ.

Λειτουργία διακόπτη (Εικ. 3)

ΠΡΟΣΟΧΗ:

Πριν βγάλετε τη κασέτα μπαταρίας μέσα στο μηχάνημα, πάντοτε ελέγχετε να δείτε ότι η σκανδάλη διακόπτης ενεργοποιείται κανονικά και επιστρέφει στη θέση “OFF” όταν ελευθερώνεται.

Για να ξεκινήσει το μηχάνημα, απλώς τραβήχτε τη σκανδάλη. Η ταχύτητα του μηχανήματος αυξάνεται αυξανοντας τη πίεση στη σκανδάλη. Αφήστε τη σκανδάλη για να σταματήσει.

Αντιστροφή λειτουργίας διακόπτη (Εικ. 4)

Αυτό το μηχάνημα έχει ένα διακόπτη αντιστροφής για να αλλάξει τη διεύθυνση περιστροφής. Πατήστε το μοχλό διακόπτη αντιστροφής από τη πλευρά A για δεξιόστροφη περιστροφή ή από την πλευρά B για αριστερόστροφη. Όταν ο μοχλός διακόπτη είναι στην ουδέτερη θέση, η σκανδάλη διακόπτης δεν μπορεί να τραβηχθεί.

ΠΡΟΣΟΧΗ:

- Πάντοτε ελέγχετε τη διεύθυνση περιστροφής πριν από τη λειτουργία.
- Χρησιμοποιείτε το διακόπτη αντιστροφής μόνο αφού το μηχάνημα έχει σταματήσει εντελώς. Αλλαγή της διεύθυνσης περιστροφής πριν το μηχάνημα σταματήσει μπορεί να προκαλέσει ζημιά στο μηχάνημα.
- Όταν δεν χρησιμοποιείται την μηχανήματα, πάντα πρέπει να θέτετε το μοχλό διακόπτη αντιστροφής στην ουδέτερη θέση.

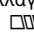
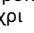
Αλλαγή ταχύτητας (Εικ. 5)

Για να αλλάξετε την ταχύτητα, πρώτα σβήστε το μηχανήμα και μετά σύρτε το μοχλό αλλαγής ταχύτητας στη πλευρά “2” για υψηλή ταχύτητα ή στη πλευρά “1” για χαμηλή ταχύτητα. Βεβαιώνεστε ότι ο μοχλός αλλαγής ταχύτητας έχει τοποθετηθεί στη σωστή θέση πριν τη λειτουργία. Χρησιμοποιήστε τη κατάλληλη ταχύτητα για την εργασία σας.

ΠΡΟΣΟΧΗ:

- Πάντοτα τοποθετείτε μοχλό αλλαγής ταχύτητας ακριβώς στη σωστή θέση. Εάν λειτουργήσετε το μηχανήμα με το μοχλό αλλαγής ταχύτητας στο ενδιάμεσο μεταξύ πλευρών “1” και “2” το μηχανήμα μπορεί να πάθει ζημιά.
- Μη χρησιμοποιείτε το μοχλό αλλαγής ταχύτητας ενώ το μηχανήμα λειτουργεί. Το μηχανήμα μπορεί να πάθει ζημιά.

Επιλογή τρόπου λειτουργίας (Εικ. 6)


Αυτό το εργαλείο έχει ένα κουμπί αλλαγής τρόπου λειτουργίας. Για τρυπάνισμα, πατήστε το κουμπί ασφάλισης και μετά σύρτε το κουμπί αλλαγής τρόπου λειτουργίας στα αριστερά (σύμβολο ). Για βίδωμα, σύρτε το κουμπί αλλαγής τρόπου λειτουργίας στα δεξιά (σύμβολο ) μέχρι να κλειδώσει. Εάν είναι δύσκολο να γυρίσετε το κουμπί, πρώτα γυρίστε τον σφικτήρα ελαφρά προς την μία ή την άλλη διεύθυνση και μετά γυρίστε το κουμπί πάλι.

ΠΡΟΣΟΧΗ:

- Πάντοτε σύρτε το κουμπί αλλαγής τρόπου λειτουργίας ακριβώς στη θέση λειτουργίας που επιθυμείτε. Εάν λειτουργείτε το εργαλείο με το κουμπί τοποθετημένο στο ενδιάμεσο μεταξύ των συμβόλων λειτουργίας, το εργαλείο θα πάθει ζημιά.
- Μη χρησιμοποιείτε το κουμπί αλλαγής τρόπου λειτουργίας ενώ το εργαλείο λειτουργεί. Το εργαλείο θα πάθει ζημιά.

Ρύθμιση της ροπής στερέωσης (Εικ. 7)

Η ροπή στερέωσης μπορεί να ρυθμιστεί με 16 βήματα στρίβοντας το δακτυλίδι ρύθμισης έτσι ώστε οι διαβαθμίσεις του να ευθυγραμμίζονται με το δείκτη στο σώμα του μηχανήματος.

Πρώτα, σύρτε το κουμπί αλλαγής τρόπου λειτουργίας στη θέση του συμβόλου .

Η ροπή στερέωσης είναι ελάχιστη όταν ο αριθμός 1 ευθυγραμμίζεται με τον δείκτη, και μέγιστη όταν το σημάδι ευθυγραμμίζεται με τον δείκτη. Ο συμπλέκτης θα γλιστρήσει σε διάφορες στάθμες ροπής όταν ρυθμιστεί στους αριθμούς 1 έως 16. Ο συμπλέκτης είναι σχεδιασμένος να μη γλιστράει στο σημάδι. Πριν αρχίσετε την πραγματική εργασία σας, βιδώστε μία δοκιμαστική βίδα στο υλικό σας ή σε ένα κομμάτι παρόμοιου υλικού για να διαπιστώσετε ποιά στάθμη ροπής απαιτείται για μία ιδιαίτερη εφαρμογή.

ΠΡΟΣΟΧΗ:

- Ο ρυθμιστικός δακτύλιος δεν κλειδώνει όταν ο δείκτης είναι τοποθετημένος στο ενδιάμεσο μεταξύ των διαβαθμίσεων.

ΣΥΝΟΛΟ ΕΡΓΑΛΕΙΟΥ

ΠΡΟΣΟΧΗ:

Πριν την εκτέλεση εργασιών με τη συσκευή διαβεβαιώνεστε πάντοτε, για το ότι η συσκευή σβήστηκε με απομακρυσμένο το συσσωρευτή.


Τοποθέτηση ή αφαίρεση αιχμής (Εικ. 8)

Κρατείστε το δακτυλίδι και στρίψτε το μανίκι αριστερότροφα για να ανοίξετε τις σιαγόνες του σφικτήρα. Βάλτε την αιχμή στο σφικτήρα όσο βαθειά μπορεί να πάει. Κρατείστε το δακτυλίδι σταθερά και στρίψτε το μανίκι δεξιότροφα για να σφίξετε τον σφικτήρα. Για να αφαιρέσετε την αιχμή, κρατείστε το δακτυλίδι και στρίψτε το μανίκι αριστερότροφα.

Όταν δεν χρησιμοποιείτε την αιχμή του εργαλείου, φυλάξτε την στις θήκες αιχμών. Αιχμές με μήκος μέχρι 45 χιλ μπορούν να φυλαχτούν εκεί. (Εικ. 9)

ΟΔΗΓΙΕΣ ΧΡΗΣΗΣ

Λειτουργία βιδώματος (Εικ. 10)

Πρώτα, σύρτε το κουμπί αλλαγής τρόπου λειτουργίας στη θέση του συμβόλου  και επιλέξτε την ροπή στερέωσης.

Τοποθετείστε το άκρο της αιχμής βιδοτρύπανου στο κεφάλι της βίδας και εφαρμόστε πίεση στο μηχανήμα. Ξεκινήστε το μηχανήμα αργά και μετά αυξήστε την ταχύτητα βαθμιαία. Αφήστε τη σκανδάλη μόλις ο συμπλέκτης παρέμβει.

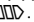
ΠΡΟΣΟΧΗ:

- Βεβαιώνεστε ότι η αιχμή του βιδοτρύπανου εισέρχεται ίσια στη κεφαλή της βίδας, διαφορετικά η βίδα καυή αιχμή μπορεί να πάθουν ζημιά.
- Όταν βιδώνετε ξυλόβιδες, ανοίξτε τρύπες οδηγούς για να κάνετε το βιδώμα ευκολότερο και να αποφύγετε σχίσμα του αντικειμένου εργασίας. Δείτε τον παρακάτω πίνακα.

Ονομαστική διάμ. ξυλόβιδας (χιλ.)	Συνιστώμενο μέγεθος τρύπας οδηγού (χιλ.)
3,1	2,0–2,2
3,5	2,2–2,5
3,8	2,5–2,8
4,5	2,9–3,2
4,8	3,1–3,4
5,1	3,3–3,6
5,5	3,7–3,9
5,8	4,0–4,2
6,1	4,2–4,4

- Εάν το μηχανήμα λειτουργεί συνεχώς μέχρι η κασέτα μπαταρίας αδειάσει, αφήστε το μηχανήμα να αναπαυθεί για 15 λεπτά πριν προχωρήσετε με μία νέα μπαταρία.

Λειτουργία τρυπάνισματος

Πρώτα, σύρετε το κουμπί αλλαγής τρόπου λειτουργίας στη θέση του συμβόλου .

• Τρυπάνισμα σε ξύλο

Όταν τρυπνίζετε σε ξύλο, τα καλύτερα αποτελέσματα επιτυγχάνονται με τρυπάνια ξύλου εφοδιασμένα με βίδα οδηγό. Η βίδα οδηγός κάνει το τρυπάνισμα ευκολότερο παρασύροντας την αιχμή μέσα στο αντικείμενο εργασίας.

• Τρυπάνισμα σε μέταλλο

Για να αποφύγετε γλίστρημα της αιχμής όταν αρχίζετε μία τρύπα, κάντε ένα βαθούλωμα με ένα καλέμι και σφυρί στο σημείο τρυπανισμού. Τοποθετήστε το άκρο της αιχμής στο βαθούλωμα και αρχίστε το τρυπάνισμα.

Χρησιμοποιείτε ένα λιπαντικό κοπής όταν τρυπνίζετε σε μέταλλα. Οι εξαιρέσεις είναι ο σίδηρος και ο μπρούτζος που πρέπει να τρυπνίζονται στεγνά.

ΠΡΟΣΟΧΗ:

- Πιέζοντας υπερβολικά στο μηχάνημα δεν θα επιταχύνει το τρυπάνισμα. Στη πραγματικότητα, αυτή η υπερβολική πίεση θα προκαλέσει μόνο ζημιά στο άκρο της αιχμής, θα μειώσει την απόδοση του μηχανήματος και θα βραχύνει τον ωφέλιμο χρόνο χρήσης του μηχανήματος.
- Μία τρομακτική δύναμη εξασκείται στο μηχάνημα/ αιχμή κατά τη στιγμή που το τρυπάνι διαπερνά την τρύπα. Κρατάτε το μηχάνημα σταθερά και προσέχετε πολύ κατά τη στιγμή που το μηχάνημα αρχίζει τη διαπέραση της τρύπας.
- Μία μαγκωμένη αιχμή μπορεί να αφαιρεθεί απλώς βάζοντας το διακόπτη αντιστροφής να αντιστρέψει τη περιστροφή για να οπισθοδρομήσει. Όμως το μηχάνημα μπορεί να οπισθοδρομήσει απότομα εάν δεν το κρατάτε σταθερά.
- Πάντοτε στερεώνετε μικρά αντικείμενα εργασίας σε μία μέγγενη ή σε παρόμοια συσκευή ακινητοποίησης.
- Εάν το μηχάνημα λειτουργεί συνεχώς μέχρι η κασέτα μπαταρίας αδειάσει, αφήστε το μηχάνημα να αναπαυθεί για 15 λεπτά πριν προχωρήσετε με μία νέα μπαταρία.

Εγκατάσταση της πλάκας σετ (Προαιρετικό εξάρτημα)

Πάντοτε να εγκαταστήσετε την πλάκα σετ όταν χρησιμοποιείτε κασέτες μπαταρίας 9100, 9102, 9102A για το Μοντέλο 6207D και 1200, 1202, 1202A για το Μοντέλο 6217D/6317D. Εγκαταστήστε την κασέτα μπαταρίας στο μηχάνημα με την βίδα που παρέχεται. **(Εικ. 11)**

ΣΥΝΤΗΡΗΣΗ

ΠΡΟΣΟΧΗ:

Πριν την εκτέλεση εργασιών με τη συσκευή διαβεβαιώνετε πάντοτε, για το ότι η συσκευή σβήστηκε με απομακρυσμένο το συσσωρευτή.

Αντικατάσταση καρβουνάκια

Αφαιρείτε και ελέγχετε τις ψήκτρες άνθρακος τακτικά. Αντικαταστήτε όταν φθαρούν μέχρι το σημάδι ορίου. Κρατάτε τις ψήκτρες καθαρές και ελεύθερες να γλιστρούν στις θήκες. Και οι δύο ψήκτρες άνθρακα πρέπει να αντικαθίστανται ταυτόχρονα. Χρησιμοποιείτε μόνο ταυτόσημες ψήκτρες. **(Εικ. 12)**

Χρησιμοποιείτε ένα κατσαβίδι για να αφαιρέτε τα καπακία της θήκης ψήκτρας. Αφαιρέστε τις φθαρμένες ψήκτρες, βάλτε τις καινούργιες και ασφαλίστε τα καπάκια της θήκης ψήκτρας. **(Εικ. 13)**

Για τη διατήρηση της ΑΣΦΑΛΕΙΑΣ και ΑΞΙΟΠΙΣΤΙΑΣ των προϊόντων, πρέπει οι επισκευές και οποιαδήποτε άλλη συντήρηση ή ρύθμιση να εκτελούνται από τα Κέντρα Σέρβις του Εργοστασίου ή από τα εξουσιοδοτημένα από την Μάκιτα Κέντρα Σέρβις, με χρήση πάντοτε ανταλλακτικών Μάκιτα.

GB ACCESSORIES

CAUTION:

These accessories or attachments are recommended for use with your Makita tool specified in this manual. The use of any other accessories or attachments might present a risk of injury to persons. The accessories or attachments should be used only in the proper and intended manner.

F ACCESSOIRES

ATTENTION:

Ces accessoires ou ces fixations sont recommandés pour l'utilisation de l'outil Makita spécifié dans ce manuel. L'utilisation d'autres accessoires ou fixations peut présenter un risque de blessures. Les accessoires ou les fixations ne devront être utilisés que dans le but et de la manière prévus.

D ZUBEHÖR

VORSICHT:

Das mitgelieferte Zubehör ist speziell für den Gebrauch mit dem in dieser Betriebsanleitung angegebenen Makita-Elektrowerkzeug vorgesehen. Bei Verwendung von Fremdzubehör in Verbindung mit dieser Maschine besteht Verletzungsgefahr.

I ACCESSORI

ATTENZIONE:

Gli accessori o i raccordi seguenti sono raccomandati per l'uso con l'utensile Makita specificato in questo manuale. L'uso di qualsiasi altro accessorio o raccordo potrebbe causare pericoli di ferite alle persone. Gli accessori o i raccordi devono essere usati soltanto nel modo corretto e specificato.

NL ACCESSOIRES

LET OP:

Deze accessoires of hulpstukken zijn aanbevolen voor gebruik met uw Makita gereedschap dat in deze gebruiksaanwijzing is beschreven. Het gebruik van andere accessoires of hulpstukken kan gevaar voor persoonlijke verwondingen opleveren. De accessoires of hulpstukken dienen alleen op de juiste en voorgeschreven manier te worden gebruikt.

E ACCESORIOS

PRECAUCIÓN:

Estos accesorios o acoplamientos están recomendados para usar con la herramienta Makita especificada en este manual. Con el uso de cualquier otro accesorio o acoplamiento se podría correr el riesgo de producir heridas a personas. Los accesorios o acoplamientos deberán usarse solamente de la manera apropiada y para la que han sido designados.

P ACESSÓRIOS

PRECAUÇÃO:

Estes acessórios ou acoplamentos são os recomendados para uso na ferramenta MAKITA especificada neste manual. A utilização de qualquer outro acessórios ou acoplamento poderá ser perigosa para o operador. Os acessórios ou acoplamentos devem ser utilizados de maneira adequada e apenas para os fins a que se destinam.

DK TILBEHØR

ADVARSEL:

Dette udstyr og tilbehør bør anvendes sammen med Deres Makita maskine, sådan som det er beskrevet i denne vejledning. Anvendelse af andet udstyr eller tilbehør kan medføre personskaade. Tilbehøret bør kun anvendes til det, det er beregnet til.

S TILLBEHÖR

FÖRSIKTIGHET:

Dessa tillbehör eller tillsatser rekommenderas endast för användning tillsammans med din Makita maskin som specificeras i denna bruksanvisning. Användning av andra tillbehör eller tillsatser kan medföra risk för personskador. Tillbehören och tillsatserna får endast användas på lämpligt och där för avsett sätt.

N TILBEHØR

NB!

Dette tilbehøret eller utstyret anbefales til å brukes sammen med din Makita maskin som er spesifisert i denne bruksanvisningen. Bruk av annet tilbehør eller utstyr kan medføre en risiko for personskader. Tilbehør og utstyr må bare brukes som spesifisert og bare til det det er beregnet til.

SF LISÄVARUSTEET

VARO:

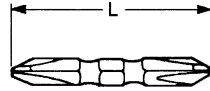
Tässä käyttöohjeessa mainitun Makita-koneen kanssa suositellaan seuraavien lisälaitteiden ja -varusteiden käyttöä. Minkä tahansa muun lisälaitteen tai -varusteen käyttäminen saattaa aiheuttaa loukkaantumisvaaran. Lisälaitteita ja -varusteita tulee käyttää ainoastaan niille sopivalla tavalla.

GR ΕΞΑΡΤΗΜΑΤΑ

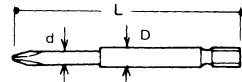
ΠΡΟΣΟΧΗ:

Αυτά τα εξαρτήματα ή προσαρτήματα συνιστώνται για χρήση με το μηχάνημα της Μάκιτα που περιγράφεται στο χειρίδιο αυτο. Η χρήση άλλων εξαρτημάτων ή προσαρτημάτων μπορεί να είναι επικίνδυνη για τραυματισμό ατόμων. Τα εξαρτήματα ή προσαρτήματα πρέπει να χρησιμοποιούνται μόνο με το σωστό και προτιθέμενο τρόπο.

- Phillips bit
- Foret Phillips
- Phillips Doppelkreuzschlitzeinsatz
- Punta a croce
- Phillips schroefbit
- Punta Phillips
- Broca Phillips
- Skruebit
- Korsmejsel
- Phillips bits
- Ristipääterä
- Αιχμή Φίλιπς



Bit No.	L (mm)				
No. 1	65				
No. 2	45	65	110	150	250
No. 3	45	65	110		



Bit No.	L (mm)	D (mm)	d (mm)
No. 2	82	6	5

Note:

- Use bit No. 1 when fastening machine screws M3, or wood screws 2.1 mm–2.7 mm.
- Use bit No. 2 when fastening machine screws M4–M5, or wood screws 3.1 mm–4.8 mm.
- Use bit No. 3 when fastening machine screws M6, or wood screws 5.1 mm–6.1 mm.

Note :

- Utilisez un foret No. 1 avec des vis à métaux M3, ou des vis en bois de 2,1 mm–2,7 mm.
- Utilisez un foret No. 2 avec des vis à métaux M4–M5, ou des vis en bois de 3,1 mm–4,8 mm.
- Utilisez un foret No. 3 avec des vis à métaux M6, ou des vis en bois de 5,1 mm–6,1 mm.

Hinweise:

- Einsatz Nr. 1 zum Eindrehen von Maschinenschrauben M3 oder Holzschrauben von 2,1–2,7 mm verwenden.
- Einsatz Nr. 2 zum Eindrehen von Maschinenschrauben M4–M5 oder Holzschrauben von 3,1–4,8 mm verwenden.
- Einsatz Nr. 3 zum Eindrehen von Maschinenschrauben M6 oder Holzschrauben von 5,1–6,1 mm verwenden.

Note:

- Usare la punta No. 1 per il serraggio delle viti a ferro M3 o viti per legno di 2,1 mm–2,7 mm.
- Usare la punta No. 2 per il serraggio delle viti a ferro M4–M5 o viti per legno di 3,1 mm–4,8 mm.
- Usare la punta No. 3 per il serraggio delle viti a ferro M6 o viti per legno di 5,1 mm–6,1 mm.

Opmerking:

- Gebruik bit Nr. 1 voor het vastdraaien van kolomschroeven M3, of houtschroeven 2,1 mm–2,7 mm.
- Gebruik bit Nr. 2 voor het vastdraaien van kolomschroeven M4–M5, of houtschroeven 3,1 mm–4,8 mm.
- Gebruik bit Nr. 3 voor het vastdraaien van kolomschroeven M6, of houtschroeven 5,1 mm–6,1 mm.

Notas:

- Utilice la punta N.º 1 cuando apriete tornillos M3 para máquina, o tornillos de 2,1–2,7 mm para madera.
- Utilice la punta N.º 2 cuando apriete tornillos M4–M5 para máquina, o tornillos de 3,1–4,8 mm para madera.
- Utilice la punta N.º 3 cuando apriete tornillos M6 para máquina, o tornillos de 5,1–6,1 mm para madera.

Nota:

- Utilize a broca N.1 quando aberta parafusos de rosca fina M3, ou parafusos para madeira de 2,1 mm – 2,7 mm.
- Utilize a broca N.2 quando aberta parafusos de rosca fina M4 – M5, ou parafusos para madeira de 3,1 mm – 4,8 mm.
- Utilize a broca N. 3 quando aberta parafusos de rosca fina M6, ou parafusos para madeira de 5,1 mm – 6,1 mm.

Bemærk:

- Anvend bit nr. 1, når der fastspændes M3 maskinskruer, eller 2,1 mm til 2,7 mm træskruer.
- Anvend bit nr. 2, når der fastspændes M4 – M5 maskinskruer, eller 3,1 mm til 4,8 mm træskruer.
- Anvend bit nr. 3, når der fastspændes M6 maskinskruer, eller 5,1 mm til 6,1 mm træskruer.

Observera!

- Använd mejsel nr. 1 vid åtdragning av maskinskruvar M3, eller träskruvar 2,1 mm – 2,7 mm.
- Använd mejsel nr. 2 vid åtdragning av maskinskruvar M4 – M5, eller träskruvar 3,1 mm – 4,8 mm.
- Använd mejsel nr. 3 vid åtdragning av maskinskruvar M6, eller träskruvar 5,1 mm – 6,1 mm.

Merknad:

- Bruk bits nr. 1 ved tiltrekking av maskinskruer M3, eller treskruer 2,1 – 2,7 mm.
- Bruk bits nr. 2 ved tiltrekking av maskinskruer M4 – M5, eller treskruer 3,1 – 4,8 mm.
- Bruk bits nr. 3 ved tiltrekking av maskinskruer M6, eller treskruer 5,1 – 6,1 mm.

Huomaa:

- Käytä terää numero 1, kun kiinnität koneruuveja M3 tai 2,1 mm – 2,7 mm puuruuveja.
- Käytä terää numero 2, kun kiinnität koneruuveja M4 – M5 tai 3,1 mm – 4,8 mm puuruuveja.
- Käytä terää numero 3, kun kiinnität koneruuveja M6 tai 5,1 mm – 6,1 mm puuruuveja.

Παρατήρηση:

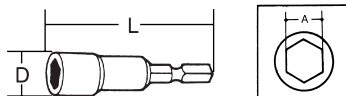
- Χρησιμοποιείστε τηναίχημ ή κατασβιδιού No. 1 όταν στερεώνετε κατασβιδόβιδες M3, ή ξυλόβιδες 2,1 χιλ. – 2,7 χιλ..
- Χρησιμοποιείστε τηναίχημ ή κατασβιδιού No. 2 όταν στερεώνετε κατασβιδόβιδες M4 – M5, ή ξυλόβιδες 3,1 χιλ. – 4,8 χιλ..
- Χρησιμοποιείστε τηναίχημ ή κατασβιδιού No. 3 όταν στερεώνετε κατασβιδόβιδες M6, ή ξυλόβιδες 5,1 χιλ. – 6,1 χιλ..

- Slotted bit
- Foret à fente
- Langschlitzeinsatz
- Punta scanalata
- Gesleufde bit
- Punta plana
- Broca de ranhura
- Kærnbit
- Spårmejsel
- Bits med spor
- Uratalta
- Αίχημή πλην

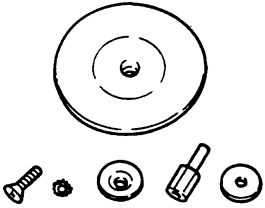
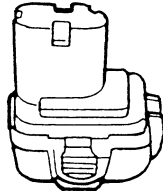


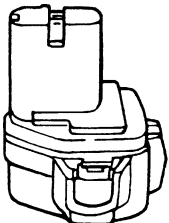
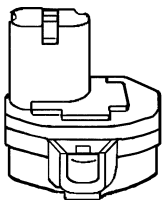
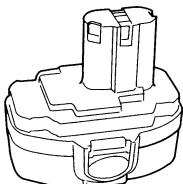
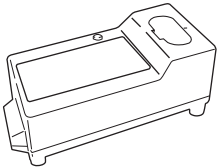
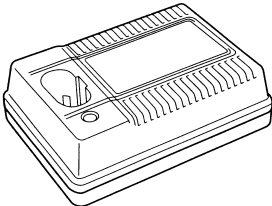
A (mm)	B (mm)	L (mm)
0.6	5	45
0.8		82
1.0	6.35	45
	8	70
1.2		70


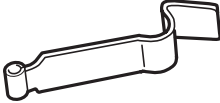

- Socket bit
- Foret à douille
- Steckschlüsseinsatz
- Punta a bussola
- Dopbit
- Llave de vaso
- Broca de encaixe
- Topbit
- Hylsnyckel
- Hulbits
- Hylsyterä
- Αίχημή κατασβιδιού με φωλιά



Bolt size	A (mm)	L (mm)	D (mm)
M4	7	55	11
M5	8		12.5
M6	10		15

<ul style="list-style-type: none"> • Rubber pad assembly • Ensemble de plateau en caoutchouc • Gummitellersatz • Gruppo tampone gomma • Rubber steunschijf set • Conjunto de lijadora de goma • Conjunto de almofada de borracha • Gummibagskive • Gummirondellset • Gummiputesett • Kumilevysarja • Σύνολο ελαστικού υποθέματος 	
<ul style="list-style-type: none"> • Foam polishing pad 125 • Plateau de polissage en mousse 125 • Schaumstoff-Polierkissen 125 • Tampone di smerigliatura in schiuma 125 • Schuimrubber polijstkussen 125 • Tambor de espuma para pulir 125 • Almofada de espuma para polir 125 • Polérpude (skumgummi) 125 • Poleringsrondell av skumgummi 125 • Poleringspute av skumplast 125 • Κιίλλοτύγγυ 125 • Αφρώδες στιλβωτικό υπόθεμα 125 	
<ul style="list-style-type: none"> • Wool bonnet 100 • Peau de mouton 100 • Lammfellhaube 100 • Cuffia di lana 100 • Wollen kap 100 • Gorra de algodón 100 • Boina de lã 100 • Uldhætte 100 • Lammullshätta 100 • Ullhette 100 • Villakansi 100 • Μάλλινο κάλυμμα 100 	
<ul style="list-style-type: none"> • Battery cartridge 9120, 9122, 9133, 9134, 9135, 9135A • Batterie 9120, 9122, 9133, 9134, 9135, 9135A • Akku 9120, 9122, 9133, 9134, 9135, 9135A • Cartuccia batteria 9120, 9122, 9133, 9134, 9135, 9135A • Batterijpak 9120, 9122, 9133, 9134, 9135, 9135A • Cartucho de batería 9120, 9122, 9133, 9134, 9135, 9135A • Bateria 9120, 9122, 9133, 9134, 9135, 9135A • Akku 9120, 9122, 9133, 9134, 9135, 9135A • Kräftkassett 9120, 9122, 9133, 9134, 9135, 9135A • Batteri 9120, 9122, 9133, 9134, 9135, 9135A • Akku 9120, 9122, 9133, 9134, 9135, 9135A • Κασέτα μπαταρίας 9120, 9122, 9133, 9134, 9135, 9135A 	

<ul style="list-style-type: none"> • Battery cartridge 1220/1222/1233/1234/1235/1235A • Batterie 1220/1222/1233/1234/1235/1235A • Akku 1220/1222/1233/1234/1235/1235A • Cartuccia batteria 1220/1222/1233/1234/1235/1235A • Batterijpak 1220/1222/1233/1234/1235/1235A • Cartucho de batería 1220/1222/1233/1234/1235/1235A • Bateria 1220/1222/1233/1234/1235/1235A • Akku 1220/1222/1233/1234/1235/1235A • Kraftkassett 1220/1222/1233/1234/1235/1235A • Batteri 1220/1222/1233/1234/1235/1235A • Akku 1220/1222/1233/1234/1235/1235A • Κασέτα μπαταρίας 1220/1222/1233/1234/1235/1235A 	
<ul style="list-style-type: none"> • Battery cartridge 1420/1422/1433/1434/1435 • Batterie 1420/1422/1433/1434/1435 • Akku 1420/1422/1433/1434/1435 • Cartuccia batteria 1420/1422/1433/1434/1435 • Batterijpak 1420/1422/1433/1434/1435 • Cartucho de batería 1420/1422/1433/1434/1435 • Bateria 1420/1422/1433/1434/1435 • Akku 1420/1422/1433/1434/1435 • Kraftkassett 1420/1422/1433/1434/1435 • Batteri 1420/1422/1433/1434/1435 • Akku 1420/1422/1433/1434/1435 • Κασέτα μπαταρίας 1420/1422/1433/1434/1435 	
<ul style="list-style-type: none"> • Battery cartridge 1822/1833/1834/1835 • Batterie 1822/1833/1834/1835 • Akku 1822/1833/1834/1835 • Cartuccia batteria 1822/1833/1834/1835 • Batterijpak 1822/1833/1834/1835 • Cartucho de batería 1822/1833/1834/1835 • Bateria 1822/1833/1834/1835 • Akku 1822/1833/1834/1835 • Kraftkassett 1822/1833/1834/1835 • Batteri 1822/1833/1834/1835 • Akku 1822/1833/1834/1835 • Κασέτα μπαταρίας 1822/1833/1834/1835 	
<ul style="list-style-type: none"> • Battery charger Model DC1803/DC1413 • Chargeur Modèle DC1803/DC1413 • Ladegerät Modell DC1803/DC1413 • Carica Batteria Modello DC1803/DC1413 • Acculader Model DC1803/DC1413 • Cargador de Batería Modelo DC1803/DC1413 • Carregador de Bateria Modelo DC1803/DC1413 • Akku-ladeaggregat Model DC1803/DC1413 • Batteriladdar Modell DC1803/DC1413 • Batterilader Modell DC1803/DC1413 • Akkulataaja malli DC1803/DC1413 • Φορτιστής μπαταρίας Μοντέλο DC1803/DC1413 	
<ul style="list-style-type: none"> • Fast charger DC1439 • Chargeur rapide DC1439 • Ladegerät DC1439 • Caricatore rapido DC1439 • Snellader DC1439 • Cargador rápido DC1439 • Carregador rápido Modelo DC1439 • Hurtiglader DC1439 • Snabbladdare DC1439 • Hurtiglader DC1439 • Pikalaturi DC1439 • Ταχυφορτιστής DC1439 	

<ul style="list-style-type: none"> • Battery cover • Couvercle de batterie • Kontaktschutzkappe • Coperchio batteria • Accukap • Tapa de la batería • Cobertura da bateria • Akkukappe • Batterilock • Batterideksel • Akun suojus • Κάλυμμα μπαταρίας 	
<ul style="list-style-type: none"> • Set plate • Plaque de fixation • Haltebügel • Piastrina di fissaggio • Klemplaatje • Placa de fijación • Placa de apoio • Låsebøjle • Kassettspærr • Stilleplate • Asennuslevy • Πλάκα ρύθμισης 	
<ul style="list-style-type: none"> • Plastic carrying case • Mallette de transport en plastique • Transportkoffer • Valigetta di trasporto in plastica • Plastic koffer • Maletín de plástico para el transporte • Caixa plástica para transporte • Transportkuffert • Bärväska av plast • Bæreveske av plast • Muovinen kantokotelo • Πλαστική θήκη μεταφοράς 	

ENGLISH**EC-DECLARATION OF CONFORMITY**

We declare under our sole responsibility that this product is in compliance with the following standards or standardized documents, EN50260, EN55014 in accordance with Council Directives, 89/336/EEC and 98/37/EC.

FRANÇAISE**DÉCLARATION DE CONFORMITÉ CE**

Nous déclarons sous notre entière responsabilité que ce produit est conforme aux normes ou aux documents standardisés suivants, EN50260, EN55014 conformément aux Directives du Conseil, 89/336/CEE et 98/37/EG.

DEUTSCH**CE-KONFORMITÄTSERKLÄRUNG**

Hiermit erklärt wir unter unserer alleinigen Verantwortung, daß dieses Produkt gemäß den Ratsdirektiven 89/336/EWG und 98/37/EG mit den folgenden Normen bzw. Normendokumenten übereinstimmen:

EN50260, EN55014.

ITALIANO**DICHIARAZIONE DI CONFORMITÀ CON LE NORME DELLA COMUNITÀ EUROPEA**

Dichiariamo sotto la nostra sola responsabilità che questo prodotto è conforme agli standard o documenti standardizzati seguenti: EN50260, EN55014 secondo le direttive del Consiglio 89/336/CEE e 98/37/CE.

NEDERLANDS**EG-VERKLARING VAN CONFORMITEIT**

Wij verklaren hierbij uitsluitend op eigen verantwoordelijkheid dat dit produkt voldoet aan de volgende normen of genormaliseerde documenten,

EN50260, EN55014

in overeenstemming met de richtlijnen van de Raad 89/336/EEC en 98/37/EC.

ESPAÑOL**DECLARACIÓN DE CONFORMIDAD DE LA CE**

Declaramos bajo nuestra sola responsabilidad que este producto cumple con las siguientes normas o documentos normalizados, EN50260, EN55014 de acuerdo con las directivas comunitarias, 89/336/EEC y 98/37/CE.

PORTUGUÊS**DECLARAÇÃO DE CONFORMIDADE DA CE**

Declaramos sob inteira responsabilidade que este produto obedece às seguintes normas ou documentos normalizados, EN50260, EN55014 de acordo com as directivas 89/336/CEE e 98/37/CE do Conselho.

DANSK**EU-DEKLARATION OM KONFORMITET**

Vi erklærer hermed på eget ansvar, at dette produkt er i overensstemmelse med de følgende standardiseringer eller normstættende dokumenter, EN50260, EN55014 i overensstemmelse med Rådets Direktiver 89/336/EEC og 98/37/EC.

SVENSKA**EG-DEKLARATION OM ÖVERENSSTÄMMELSE**

Under eget ansvar deklarerar vi härmed att denna produkt överensstämmer med följande standardiseringar och standardiserade dokument,

EN50260, EN55014 i enlighet med EG-direktiven 89/336/EEC och 98/37/EC.

NORSK**EU's SAMSVARS-ERKLÆRING**

Vi erklærer på eget ansvar at dette produktet er i overensstemmelse med følgende standard eller standardiserte dokumenter: EN50260, EN55014, i samsvar med Råds-direktivene, 89/336/EEC og 98/37/EC.

SUOMI**VAKUUTUS EC-VASTAAVUDESTA**

Yksinomaisesti vastuullisina ilmoitamme, että tämä tuote on seuraavien standardien ja standardoitujen dokumenttien mukainen, EN50260, EN55014 neuvoston direktiivien 89/336/EEC ja 98/37/EC mukaisesti.

ΕΛΛΗΝΙΚΑ**ΔΗΛΩΣΗ ΣΥΜΜΟΡΦΩΣΗΣ ΕΚ**

Δηλώνουμε υπό την μοναδική μας ευθύνη ότι αυτός ο προϊόν βρίσκεται σε συμφωνία με τα ακόλουθα πρότυπα ή τυποποιημένα έγγραφα, EN50260, EN55014 σύμφωνα με τις Οδηγίες του Συμβουλίου, 89/336/EEC και 98/37/ΚΕ.

Yasuhiko Kanzaki CE 2001



Director	Director
Directeur	Direktør
Direktor	Direktör
Amministratore	Direktor
Directeur	Johtaja
Director	Διευθυντής

MAKITA INTERNATIONAL EUROPE LTD.

Michigan Drive, Tongwell, Milton Keynes,
Bucks MK15 8JD, ENGLAND

ENGLISH

EC-DECLARATION OF CONFORMITY

We declare under our sole responsibility that this battery charger is in compliance with the following standards or standardized documents,

EN60335, EN55014, EN61000

in accordance with Council Directives, 73/23/EEC and 89/336/EEC.

FRANÇAISE

DÉCLARATION DE CONFORMITÉ CE

Nous déclarons sous notre entière responsabilité que ce chargeur de batterie est conforme est conforme aux normes ou aux documents standardisés suivants,

EN60335, EN55014, EN61000

conformément aux Directives du Conseil, 73/23/CEE et 89/336/CEE.

DEUTSCH

CE-KONFORMITÄTSERKLÄRUNG

Hiermit erklärt wir unter unserer alleinigen Verantwortung, daß dieses Ladegerät gemäß den Ratsdirektiven 73/23/EWG und 89/336/EWG mit den folgenden Normen bzw. Normendokumenten übereinstimmen:

EN60335, EN55014, EN61000.

ITALIANO

DICHIARAZIONE DI CONFORMITÀ CON LE NORME DELLA COMUNITÀ EUROPEA

Dichiariamo sotto la nostra sola responsabilità che questo caricabatteria è conforme agli standard o documenti standardizzati seguenti:

EN60335, EN55014, EN61000

secondo le direttive del Consiglio 73/23/CEE e 89/336/CEE.

NEDERLANDS

EG-VERKLARING VAN CONFORMITEIT

Wij verklaren hierbij uitsluitend op eigen verantwoordelijkheid dat deze acculader voldoet aan de volgende normen of genormaliseerde documenten,

EN60335, EN55014, EN61000

in overeenstemming met de richtlijnen van de Raad 73/23/EEC en 89/336/EEC.

ESPAÑOL

DECLARACIÓN DE CONFORMIDAD DE LA CE

Declaramos bajo nuestra sola responsabilidad que este cargador de baterías cumple con las siguientes normas o documentos normalizados,

EN60335, EN55014, EN61000

de acuerdo con las directivas comunitarias, 73/23/EEC y 89/336/EEC.

Yasuhiko Kanzaki CE 94

Director
Directeur
Direktor
Amministratore
Directeur
Director

Director
Direktör
Direktör
Direktor
Johntaja
Διευθυντής

PORTUGUÊS

DECLARAÇÃO DE CONFORMIDADE DA CE

Declaramos sob inteira responsabilidade que este carregador de bateria obedece às seguintes normas ou documentos normalizados,

EN60335, EN55014, EN61000

de acordo com as directivas 73/23/CEE e 89/336/CEE do Conselho.

DANSK

EU-DEKLARATION OM KONFORMITET

Vi erklærer hermed på eget ansvar, at denne akkuoplader er i overensstemmelse med de følgende standardiseret eller normstættende dokumenter,

EN60335, EN55014, EN61000

i overensstemmelse med Rådets Direktiver 73/23/EEC og 89/336/EEC.

SVENSKA

EG-DEKLARATION OM ÖVERENSSTÄMMELSE

Under eget ansvar deklarerar vi härmed att denna batteriladdare överensstämmer med följande standardiserade eller standardiserade dokument,

EN60335, EN55014, EN61000

i enlighet med EG-direktiven 73/23/EEC och 89/336/EEC.

NORSK

EU's SAMSVARS-ERKLÆRING

Vi erklærer på eget ansvar at denne batteriladeren er i overensstemmelse med følgende standard eller standardiserte dokumenter:

EN60335, EN55014, EN61000,

i samsvar med Råds-direktivene, 73/23/EEC og 89/336/EEC.

SUOMI

VAKUUTUS EC-VASTAAVUUDESTA

Yksinomaisesti vastuullisina ilmoitamme, että tämähä akkulaturi on seuraavien standardien ja standardoitujen dokumenttien mukainen,

EN60335, EN55014, EN61000

neuvoston direktiivien 73/23/EEC ja 89/336/EC mukaisesti.

ΕΛΛΗΝΙΚΑ

ΔΗΛΩΣΗ ΣΥΜΜΟΡΦΩΣΗΣ ΕΚ

Δηλώνουμε υπό την μοναδική μας ευθύνη ότι αυτός ο φορτιστής μπαταρίας βρίσκεται σε συμφωνία με τα ακόλουθα πρότυπα ή τυποποιημένα έγγραφα,

EN60335, EN55014, EN61000

σύμφωνα με τις Οδηγίες του Συμβουλίου, 73/23/EEC και 89/336/ΚΕ.

MAKITA INTERNATIONAL EUROPE LTD.

Michigan Drive, Tongwell, Milton Keynes,
Bucks MK15 8JD, ENGLAND

ENGLISH

Noise and Vibration

The typical A-weighted sound pressure level is not more than 73 dB (A).

The noise level under working may exceed 85 dB (A).

– Wear ear protection. –

The typical weighted root mean square acceleration value is not more than 2,5 m/s².

FRANÇAISE

Bruit et vibrations

Le niveau de pression sonore pondéré A type ne dépasse pas 73 dB (A).

Le niveau de bruit en fonctionnement peut dépasser 85 dB (A).

– Porter des protecteurs anti-bruit. –

L'accélération pondérée ne dépasse pas 2,5 m/s².

DEUTSCH

Geräusch- und Vibrationsentwicklung

Der typische A-bewertete Schalldruckpegel beträgt nicht mehr als 73 dB (A).

Der Lärmpegel kann während des Betriebs 85 dB (A) überschreiten.

– Gehörschutz tragen. –

Der gewichtete Effektivwert der Beschleunigung beträgt nicht mehr als 2,5 m/s².

ITALIANO

Rumore e vibrazione

Il livello di pressione sonora pesata secondo la curva A non supera i 73 dB (A).

Il livello di rumore durante il lavoro potrebbe superare gli 85 dB (A).

– Indossare i paraorecchi. –

Il valore quadratico medio di accelerazione non supera i 2,5 m/s².

NEDERLANDS

Geluidsniveau en trilling

Het typische A-gewogen geluidsdruk-niveau is niet meer dan 73 dB (A).

Tijdens het werken kan het geluidsniveau 85 dB (A) overschrijden.

– Draag oorbeschermers. –

De typische gewogen effectieve versnellingswaarde is niet meer dan 2,5 m/s².

ESPAÑOL

Ruido y vibración

El nivel de presión sonora ponderada A no sobrepasa los 73 dB (A).

El nivel de ruido en condiciones de trabajo puede que sobrepase los 85 dB (A).

– Póngase protectores en los oídos. –

El valor ponderado de la aceleración no sobrepasa los 2,5 m/s².

PORTUGUÊS

Ruído e vibração

O nível normal de pressão sonora A é inferior a 73 dB (A).

O nível de ruído durante o trabalho pode exceder 85 dB (A).

– Utilize protectores para os ouvidos –

O valor médio da aceleração é inferior a 2,5 m/s².

DANSK

Lyd og vibration

Det typiske A-vægtede lydtryksniveau overstiger ikke 73 dB (A).

Støjniveauet under arbejde kan overstige 85 dB (A).

– Bær høreværn. –

Den vægtede effektive accelerationsværdi overstiger ikke 2,5 m/s².

SVENSKA

Buller och vibration

Den typiska A-vägd ljudtrycksnivån överstiger inte 73 dB (A).

Bullernivån under pågående arbete kan överstiga 85 dB (A).

– Använd hörselskydd –

Det typiskt vägd effektiva värdet för acceleration överstiger inte 2,5 m/s².

NORSK

Støy og vibrasjon

Det vanlige A-belastede lydtrykksnivå overskrider ikke 73 dB (A).

Under bruk kan støynivået overskride 85 dB (A).

– Benytt hørselvern. –

Den vanlig belastede effektiv-verdi for akselerasjon overskrider ikke 2,5 m/s².

SUOMI

Melutasa ja värinä

Tyypillinen A-painotettu äänenpainetaso ei ylitä 73 dB (A). Melutasa työpaikalla saattaa ylittää 85 dB (A).

– Käytä kuulosuojaimia. –

Tyypillinen kiihtyvyyden painotettu tehollisarvo ei ylitä 2,5 m/s².

ΕΛΛΗΝΙΚΑ

Θόρυβος και κραδασμός

Η τυπική Α-μετρούμενη ηχητική πίεση δεν ξεπερνά τα 73 dB (Α).

Η ένταση ήχου υπο συνθήκες εργασίας μπορεί να υπερβεί τα 85 dB (Α).

– Φοράτε ωτοασπίδες. –

Η τυπική αξία της μετρούμενης ρίζας του μέσου τετραγώνου της επιτάχυνσης δεν ξεπερνά τα 2,5 m/s².

Makita Corporation
Anjo, Aichi, Japan
Made in USA
884436-996