



ARTICULATED TRUCKS

327B-330B-335B-340B



Engine Horsepower	327B 235 kW/315 hp	330B 260 kW/349 hp	335B 306 kW/410 hp	340B 340 kW/456 hp
Payload	24 650 kg	28 160 kg	31 500 kg	36 000 kg
Heaped capacity	14.5 m ³	17.6 m ³	20.0 m ³	22.0 m ³
Total laden weight	46 890 kg	50 730 kg	60 000 kg	65 000 kg

POWER AND ECONOMY

The Case range of articulated dump trucks use the latest electronically-controlled Tier III diesel engines. These 10 and 13 litre powerplants have high pressure common rail fuel injection and variable geometry turbocharging to provide rapid response, high torque rise and maximum fuel economy in all operating conditions.

High performance. Low environmental impact.

EASE OF OPERATION

An electronically-controlled transmission offers a choice of fully automatic or powershift control of the six forward and three reverse gears. Finely modulated clutch engagement provides smooth gearchanges for extended component life and low fatigue for the operator.

Smooth shifting. Complete control.



OPERATOR STATION

All four trucks offer a best-in-class operator environment, with unparalleled visibility thanks to a sloping engine canopy and flat glass throughout the cabin. An optional rear view camera and in-cab monitor offer further reassurance in tight site conditions. Isolation mounting, sound proofing and standard air conditioning provide the operator with a low fatigue office throughout the working day.

Maximum comfort. Increased productivity.

SMOOTH RIDE

The B series Case articulated truck has true independent front suspension with both vertical and oscillating movement. Long stroke cylinders provide excellent damping and bump absorption. This provides a smooth ride for the operator, enabling higher travel speeds and increased productivity. **Operator comfort. Increased traction.**

WIDE LOAD

Case ADTs have a wide chassis and dump body, offering a low centre of gravity for increased stability. Tilt cylinders are mounted inside the frame for protection from damage and improved lift geometry. **Material retention. Solid stability.**

TOTAL TRACTION

All Case articulated trucks have a standard full 6x6 traction drivetrain, with limited slip differentials in the axles and a longitudinal differential lock for operation in particularly tough applications. Perfectly matched driveline components include an integral differential mounted directly to the transmission, eliminating the need for a separate drive shaft and providing maximum power transfer to all wheels.

Extreme productivity. All weather performance



MINIMUM DOWNTIME

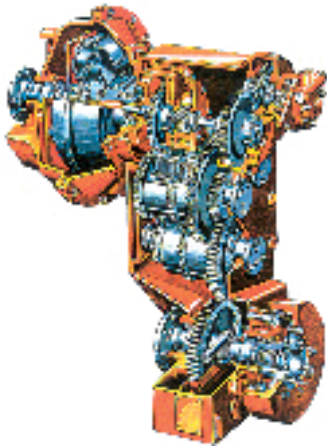
Forward power-tilt engine canopy offers excellent access to engine and service components. Centralised lubrication for axles, articulation and oscillation joints, with automatic lubrication system available as an option. Central service port for all hydraulic pressure check ports reduces diagnostic time and increases productive uptime. **Ease of service. Reduced ownership cost.**

ENGINE



The Case articulated dump truck range is powered by the latest family of Case electronically-controlled high pressure common rail diesel engines. Utilising variable geometry turbocharging, the 10 and 13 litre engine provide a high torque rise, for maximum rimpull in difficult site conditions, with low fuel consumption and reduced environmental impact. The 10 litre Tier III engine in the 327B offer 315hp (235kW) of power. In the 330B that is increased to 349hp (260kW). The larger 335B uses a 13 litre motor offering 410hp (306kW) while the same engine in the range-topping 340B comes with 456hp (340kW).

TRANSMISSION



An electronically-controlled transmission provides the operator with a choice of fully automatic operation or manual powershift control. Six forward ratios and three reverse gears enable full use of the engine power in all ground conditions. Precise clutch engagement and smooth gearshift modulation result in extended driveline component life and reduced fatigue for the operator.

DRIVETRAIN



Case ADTs come as standard with limited slip axles and longitudinal differential locks, that offer 6x6 drive for ultimate traction. An integral differential is mounted directly to the transmission output, eliminating the need for an additional driveshaft and providing maximum engine power to the wheels. Driveline components are well matched, with electronic control synchronising the operation of transmission and axles to provide high levels of tractability in all operating conditions. The 335B and 340B feature an industry-exclusive warm up circuit that uses the transmission retarder to warm the hydraulic oil on start up, reducing pressure on seals and increasing hydraulic component life.



OPERATOR'S CAB

There is no better view from an ADT cab than from the Case B series, with its sloping engine canopy and flat glass all round providing a commanding view around the truck. Large side windows and floor to ceiling glass doors provide a light, airy working environment and the ROPS/FOPS structure is isolation mounted to provide a smooth ride for the driver. An ergonomically designed console provides easy control for the operator, with push button change from manual to automatic operation of the transmission. A fully adjustable suspension seat, tilting steering wheel and standard air conditioning complete the picture, ensuring low fatigue and high productivity throughout the working day.



SUSPENSION



All B series trucks have independent front suspension offering both vertical and oscillating movement. The suspension uses long travel cylinders for excellent bump suppression, providing a smooth ride for the operator, particularly when running unladen on the return leg of a haul. The rear suspension has dual cast steel beams secured directly under the rear frame, for long term durability and reliability. This combination allows the operator to work at higher speeds, increasing productivity and reducing the cost per tonne moved on site.

DUMP BODY



The Case B series articulated truck has a wide chassis and dump body to provide a lower centre of gravity, increasing stability on rough ground and assisting the suspensions system to provide a smooth ride. The tilt cylinders are mounted within the wide frame rails, for added protection and to improve the lift geometry for rapid discharge and return to hauling position. Heaped capacities range from 14.5 m³ on the 327B to 22.0 m³ on the top of the range 340B.

SERVICEABILITY



A powered forward tilting engine canopy provides excellent access to the engine and cooling pack for regular service and maintenance. For more complete access to the transmission and hydraulic system, the cab can be tilted away from the chassis and the fenders opened for a completely unhindered view of major components. The Case trucks feature an electronic control and monitoring system (EDC) in the cab console which displays all fluid levels and temperatures when the truck is started, greatly reducing the daily checks necessary before use. In addition centralised hydraulic pressure check points assist with fault diagnosis and the trucks have swing out wheel arches for access to the front tyres and hydraulic components. Automatic lubrication is available, with all B Series Trucks having centralised lubrication for axles, articulated and oscillation joints.



327B-330B-
335B-340B





SPECIFICATIONS

ENGINE

Model _____ Case Family IV 10 liter, Tier III certified
Type _____ 4-stroke, variable geometry, turbocharged
and air to air cooled diesel
Cylinders _____ In-line 6
Bore/stroke _____ 125 x 140 mm
Displacement _____ 10.3 l
Aftercooler _____ Yes
Enginepower per SAE J1995
Gross _____ 315 hp (235 kW) @ 2100 rpm
Net _____ 300 hp (224 kW) @ 2100 rpm
Maximum torque @ 1000 rpm _____ Net 1450 Nm

TRANSMISSION

Model _____ ZF 6WG260
Type _____ Powershift
Torque converter _____ Lock up all gears
Torque converter ratio _____ 2:08-1
Gears _____ 6 forward/3 reverse
Forward travel km/h Reverse travel km/h
1st 5.4 5.4
2nd 8.4 13.2
3rd 13.2 30.0
4th 20.5 -
5th 30.0 -
6th 46.6 -
Torque proportion front/rear _____ 33.3%/66.6%
Drop box _____ Integrated
Gradeability _____ 40% max. (18°)

BRAKES

Service - calliper _____ 2 per wheel (front), 1 per wheel (rear)
outboard disc (6)
Parking - calliper _____ (1) protected disc (1) on drive shaft
Engine Brake _____ Turbo brake

TRANSFER BOX

Mounting _____ Integral
Ranges _____ 1
Front axle interlock _____ Dog Clutch type

FRONT WHEEL ENDS

Make/model _____ Kessler R81 PL488
Type _____ Outboard planetary

INTERMEDIATE AND REAR DRIVE AXLES

Make/Model _____ Kessler D81PL488
Type _____ Outboard planetary
Axle _____ Limited slip

CHASSIS

Type _____ Front/rear box frame
Linkage _____ Universal joint

STEERING/ARTICULATION

Frame connection _____ Ball bearing with 2 ball races
and 4 spherical joints
Articulation angle degrees _____ 45°
Steering turns lock-lock _____ 4.5
Secondary steering type _____ Ground driven

SUSPENSION

Front type _____ "A" frame plus tie-rod
Front suspension _____ Nitrogen-oil
Rear type _____ 2-Rocking beams
Rear suspension _____ Rubber bush

LOAD BODY

Construction _____ Ribless
Body tipping angle deg _____ 68°
Body tipping time to raise/lower _____ 13/13 sec
Tip cylinders type _____ Multi stage
Power down _____ Yes, 1st stage
Loadover height _____ 2700 mm

PAYLOAD

Payload _____ 24 650 kg
Capacity, struck _____ 10.6 m³
Capacity, heaped SAE 2:1 _____ 14.5 m³

CAPACITIES

Fuel tank _____ 380 l
Hydraulic reservoir _____ 220 l
Engine oil _____ 30.5 l
Transmission _____ 38 l
Front wheel hubs _____ 3.0 l
Drive axles
Intermediate _____ 15 l
Rear _____ 13 l

TYRES

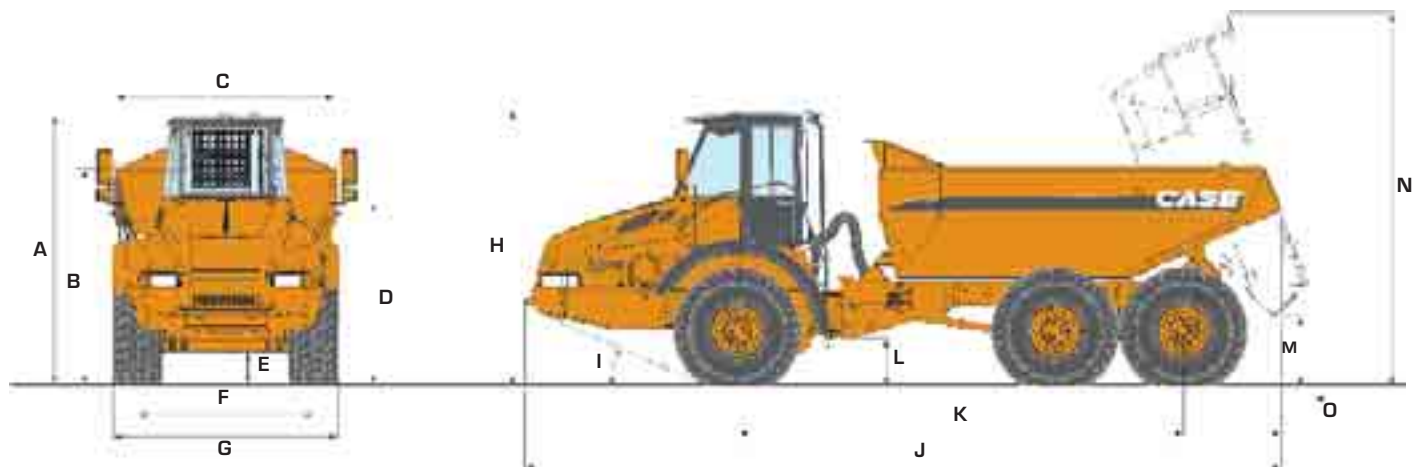
Rim _____ 5 section
Rim _____ size 19.5 x 25
Standard tyre _____ Tubeless 23.5 x R25

WEIGHT

Weight (unladen) _____ 22 240 kg
Front _____ 12 155 kg
Rear _____ 10 085 kg
Total laden weight _____ 46 890 kg



GENERAL DIMENSIONS 327B



DIMENSIONS

A	Overall height	m	3.65
B	Height to side of load body	m	2.70
C	Load body width	m	2.50
D	Height to load bed end	m	2.39
E	Ground clearance - rear differential	m	0.47
F	Tread width - centre to centre	m	2.36
G	Overall width	m	2.86
H	Height to top of cab	m	3.62
I	Approach angle		23°
J	Overall length	m	10.03
K	Wheelbase	m	5.91
L	Ground clearance @ articulation point	m	0.65
M	Dump clearance	m	0.95
N	Maximum height - dumping position	m	6.23
O	Rear dumping clearance	m	0.35

SPECIFICATIONS

ENGINE

Model _____ Case Family IV 10 liter, Tier III certified
Type _____ 4-stroke, variable geometry, turbocharged
and air to air cooled diesel
Cylinders _____ In-line 6
Bore/stroke _____ 125 x 140 mm
Displacement _____ 10.3 l
Aftercooler _____ Yes
Enginepower per SAE J1995
Gross _____ 349 hp (260 kW) @ 1900 rpm
Net _____ 334 hp (249 kW) @ 1900 rpm
Maximum torque @ 1100 rpm _____ Net 1650 Nm

TRANSMISSION

Model _____ ZF 6WG260
Type _____ Powershift
Torque converter _____ Lock up all gears
Torque converter ratio _____ 2.08:1
Gears _____ 6 forward/3 reverse
Forward travel km/h Reverse travel km/h
1st 5.4 5.4
2nd 8.4 13.2
3rd 13.2 30.0
4th 20.5 -
5th 30.0 -
6th 46.6 -
Torque proportion front/rear _____ 33.3%/66.6%
Drop box _____ Integrated
Gradeability _____ 40% max. (18°)

BRAKES

Service - calliper _____ 2 per wheel (front), 1 per wheel
(rear) outboard disc (6)
Parking - calliper _____ (1) protected disc (1) on drive shaft
Engine Brake _____ Turbo brake
Transmission retarder (optional)

TRANSFER BOX

Mounting _____ Integral
Ranges _____ 1
Front axle interlock _____ Dog Clutch type

FRONT WHEEL ENDS

Make/model _____ Kessler R81 PL488
Type _____ Outboard Planetary

INTERMEDIATE AND REAR DRIVE AXLES

Make/Model _____ Kessler DB1PL488
Type _____ Outboard Planetary
Axle _____ Limited slip

CHASSIS

Type _____ Front/rear box frame
Linkage _____ Universal joint

STEERING/ARTICULATION

Frame connection _____ Ball bearing with 2 ball races
and 4 spherical joints
Articulation angle degrees _____ 45°
Steering turns lock-lock _____ 4.5
Secondary steering type _____ Ground driven

SUSPENSION

Front type _____ "A" frame plus tie-rod
Front suspension _____ Nitrogen-oil
Rear type _____ 2-Rocking beams
Rear suspension _____ Rubber bush

LOAD BODY

Construction _____ Ribless
Body tipping angle deg _____ 68°
Body tipping time to raise/lower _____ 13/13 sec
Tip cylinders type _____ Multi stage
Power down _____ Yes, 1st stage
Loadover height _____ 2820 mm

PAYLOAD

Payload _____ 28 160 kg
Capacity, struck _____ 13.7 m³
Capacity, heaped SAE 2:1 _____ 17.6 m³

CAPACITIES

Fuel tank _____ 380 l
Hydraulic reservoir _____ 220 l
Engine oil _____ 30.5 l
Transmission _____ 38 l
Front wheel hubs _____ 3.0 l
Drive axles
Intermediate _____ 15 l
Rear _____ 13 l

TYRES

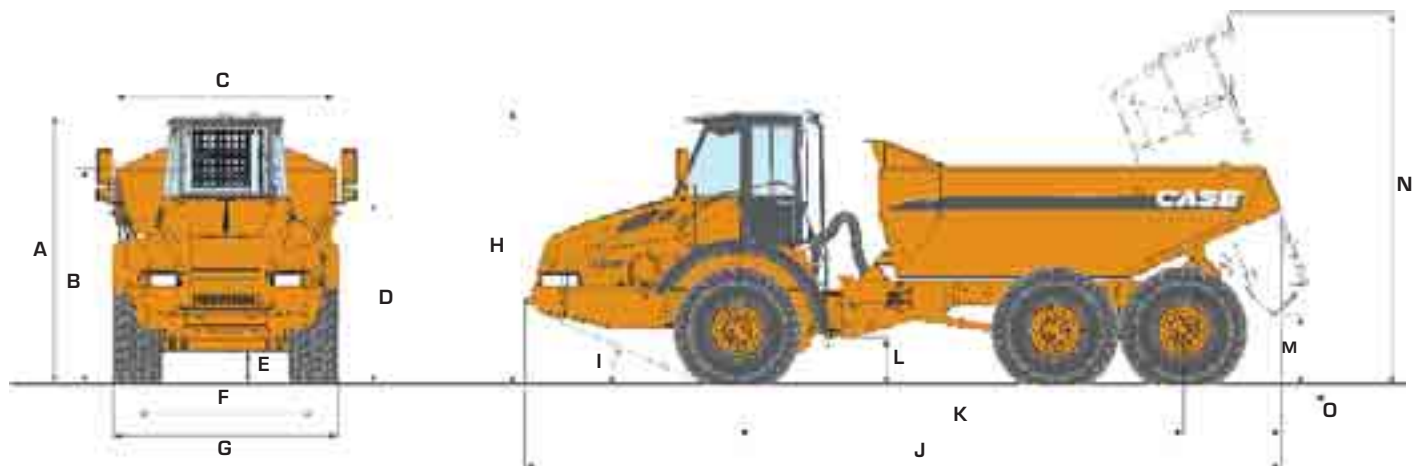
Rim _____ 5 section
Rim _____ size 19.5 x 25
Standard tyre _____ Tubeless 23.5 R25

WEIGHT

Weight (unladen) _____ 22 570 kg
Front _____ 12 000 kg
Rear _____ 10 570 kg
Total laden weight _____ 50 730 kg



GENERAL DIMENSIONS 330B



DIMENSIONS

A	Overall height	m	3.65
B	Height to side of load body	m	2.92
C	Load body width	m	2.96
D	Height to load bed end	m	2.47
E	Ground clearance - rear differential	m	0.47
F	Tread width - centre to centre	m	2.36
G	Overall width	m	2.96
H	Height to top of cab	m	3.62
I	Approach angle		23°
J	Overall length	m	10.03
K	Wheelbase	m	5.91
L	Ground clearance @ articulation point	m	0.63
M	Dump clearance	m	1.00
N	Maximum height - dumping position	m	6.31
O	Rear dumping clearance	m	0.43





SPECIFICATIONS

ENGINE

Model _____ Case Family IV 13 liter, Tier III certified
 Type _____ 4-stroke, variable geometry, turbocharged and air to aircooled diesel
 Injection _____ Electronic
 Cylinders _____ In-line 6
 Bore/stroke _____ 135 x 150 mm
 Displacement _____ 12.9 l
 Aftercooler _____ Yes
 Enginepower per SAE J1995
 Gross _____ 410 hp (306 kW) @ 2100 rpm
 Net _____ 380 hp (284 kW) @ 2100 rpm
 Maximum torque @ 1180 rpm _____ Net 1850 Nm

TRANSMISSION

Model _____ ZF 6WG310
 Type _____ Powershift
 Torque converter _____ Lock up all gears
 Torque converter ratio _____ 1.84:1
 Gears _____ 6 forward/3 reverse

	Forward travel km/h	Reverse travel km/h
1st	5.5	5.5
2nd	8.6	13.4
3rd	13.4	30.6
4th	20.9	-
5th	30.6	-
6th	47.5	-

Torque proportion front/rear _____ 33.3%/66.6%
 Drop box _____ Gearbox Integrated
 Gradeability _____ 60% max. {27°}

BRAKES

Service - calliper _____ 2 per wheel front axle and 1 per wheel rear axle, outboard dry discs (6)
 Parking - calliper (1) _____ Protected disc (1) on drive shaft (pneumatic)
 Engine Brake _____ Turbo brake
 Transmission retarder _____

TRANSFER BOX

Mounting _____ Integral
 Ranges _____ 1
 Front axle interlock _____ Dog Clutch type

FRONT WHEEL ENDS

Make/model _____ ZF/RP17
 Type _____ Outboard Planetary

INTERMEDIATE AND REAR DRIVE AXLES

Make/Model _____ ZF/MT-D3105
 Type _____ Outboard Planetary
 Axle _____ Limited slip

CHASSIS

Type _____ Front/rear box frame
 Linkage _____ Universal joint

STEERING/ARTICULATION

Frame connection _____ Ball bearing with 2 ball races and 4 spherical joints
 Articulation angle degrees _____ 45°
 Steering turns lock-lock _____ 4.5
 Secondary steering type _____ Ground driven

SUSPENSION

Front type _____ "A" frame plus tie-rod
 Front suspension _____ Nitrogen-oil
 Rear type _____ 2-Rocking beams
 Rear suspension _____ Rubber bush

LOAD BODY

Construction _____ Ribless
 Body tipping angle deg _____ 70°
 Body tipping time to raise/lower _____ 11/13 sec
 Tip cylinders type _____ Multi stage
 Power down _____ Yes, 1st stage
 Loadover height _____ 3070 mm

PAYLOAD

Payload _____ 31 500 kg
 Capacity, struck _____ 15 m³
 Capacity, heaped SAE 2:1 _____ 20 m³

CAPACITIES

Fuel tank _____ 440 l
 Hydraulic reservoir _____ 300 l
 Engine oil _____ 35 l
 Transmission _____ 35.5 l
 Front wheel hubs _____ 3.0
 Front wheel ends _____ 9 l
 Drive axles _____
 Intermediate _____ 34 l
 Rear _____ 33 l

TYRES

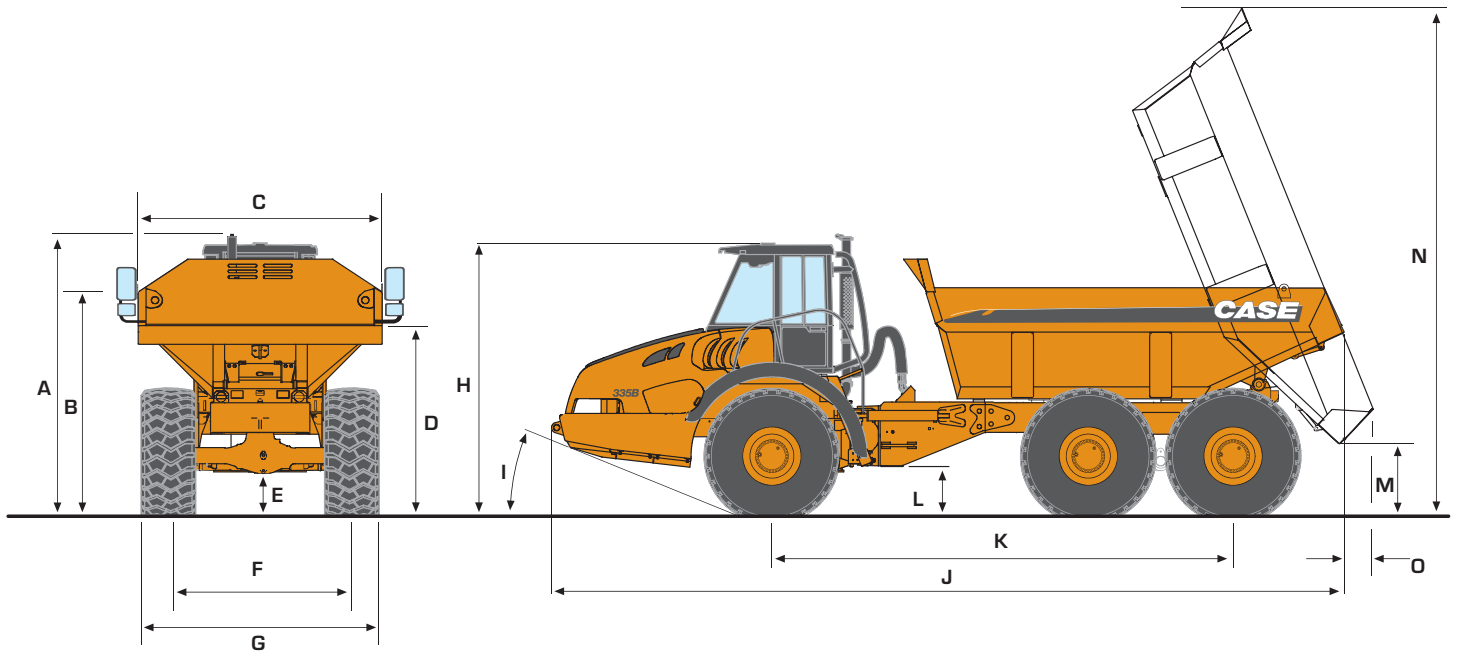
Rim _____ 5 section
 Rimsize _____ 25 x 22
 Standard tyre _____ Tubeless 26.5 x R25

WEIGHT

Weight (unladen) _____ 28 500 kg
 Front _____ 14 100 kg
 Rear _____ 14 400 kg
 Total laden weight _____ 60 000 kg



GENERAL DIMENSIONS 335B



DIMENSIONS

A	Overall height - top of muffler	m	3.80
B	Height to side of load body	m	3.07
C	Load body width	m	3.33
D	Height to load bed end	m	2.57
E	Ground clearance - rear differential	m	0.54
F	Tread width - centre to centre	m	2.52
G	Overall width	m	3.19
H	Height to top of cab	m	3.68
I	Approach angle		21°
J	Overall length	m	10.78
K	Wheelbase	m	6.27
L	Ground clearance @ articulation point	m	0.64
M	Dump clearance	m	0.94
N	Maximum height - dumping position	m	6.87
O	Rear dumping clearance	m	0.68

SPECIFICATIONS

ENGINE

Model _____ Case Family IV 13 liter, Tier III certified
Type _____ 4-stroke, variable geometry, turbocharged and air to aircooled diesel
Injection _____ Electronic
Cylinders _____ In-line 6
Bore/stroke _____ 135 x 150 mm
Displacement _____ 12.9 l
Aftercooler _____ Yes
Enginepower per SAE J1995
Gross _____ 456 hp (340 kW) @ 2000 rpm
Net _____ 426 hp (318 kW) @ 2000 rpm
Maximum torque @ 1180 rpm _____ Net 2000 Nm

TRANSMISSION

Model _____ ZF 6WG310
Type _____ Powershift
Torque converter _____ Lock up all gears
Torque converter ratio _____ 1.84:1
Gears _____ 6 forward/3 reverse
Forward travel km/h Reverse travel km/h
1st 5.9 5.9
2nd 9.1 14.3
3rd 14.3 32.6
4th 22.2 -
5th 32.6 -
6th 50.6 -
Torque proportion front/rear _____ 33.3%/66.6%
Drop box _____ Gearbox Integrated
Gradeability _____ 60% max. (27°)

BRAKES

Service _____ Multiple discs, oil cooled
Parking - calliper (1) protected disc (1) on drive shaft (pneumatic)
Engine Brake _____ Turbo brake
Transmission retarder _____

TRANSFER BOX

Mounting _____ Integral
Ranges _____ 1
Front axle interlock _____ Dog Clutch type

FRONT WHEEL ENDS

Make/model _____ ZF/RP17
Type _____ Outboard Planetary

INTERMEDIATE AND REAR DRIVE AXLES

Make/Model _____ ZFMT-D3105
Type _____ Outboard Planetary
Axle _____ Limited slip

CHASSIS

Type _____ Front/rear box frame
Linkage _____ Universal joint

STEERING/ARTICULATION

Frame connection _____ Ball bearing with 2 ball races and 4 spherical joints
Articulation angle degrees _____ 45°
Steering turns lock-lock _____ 4.5
Secondary steering type _____ Ground driven

SUSPENSION

Front type _____ "A" frame plus tie-rod
Front suspension _____ Nitrogen-oil
Rear type _____ 2-Rocking beams
Rear suspension _____ Rubber bush

LOAD BODY

Construction _____ Ribless
Body tipping angle deg _____ 70°
Body tipping time to raise/lower _____ 11/13 sec
Tip cylinders type _____ Multi stage
Power down _____ Yes, 1st stage
Loadover height _____ 3110 mm

PAYLOAD

Payload _____ 36 000 kg
Capacity, struck _____ 17 m³
Capacity, heaped SAE 2:1 _____ 22 m³

CAPACITIES

Fuel tank _____ 440 l
Hydraulic reservoir _____ 300 l
Engine oil _____ 35 l
Transmission _____ 35.5 l
Front wheel hubs _____ 9 l
Drive axles
Intermediate _____ 34 l
Rear _____ 33 l

TYRES

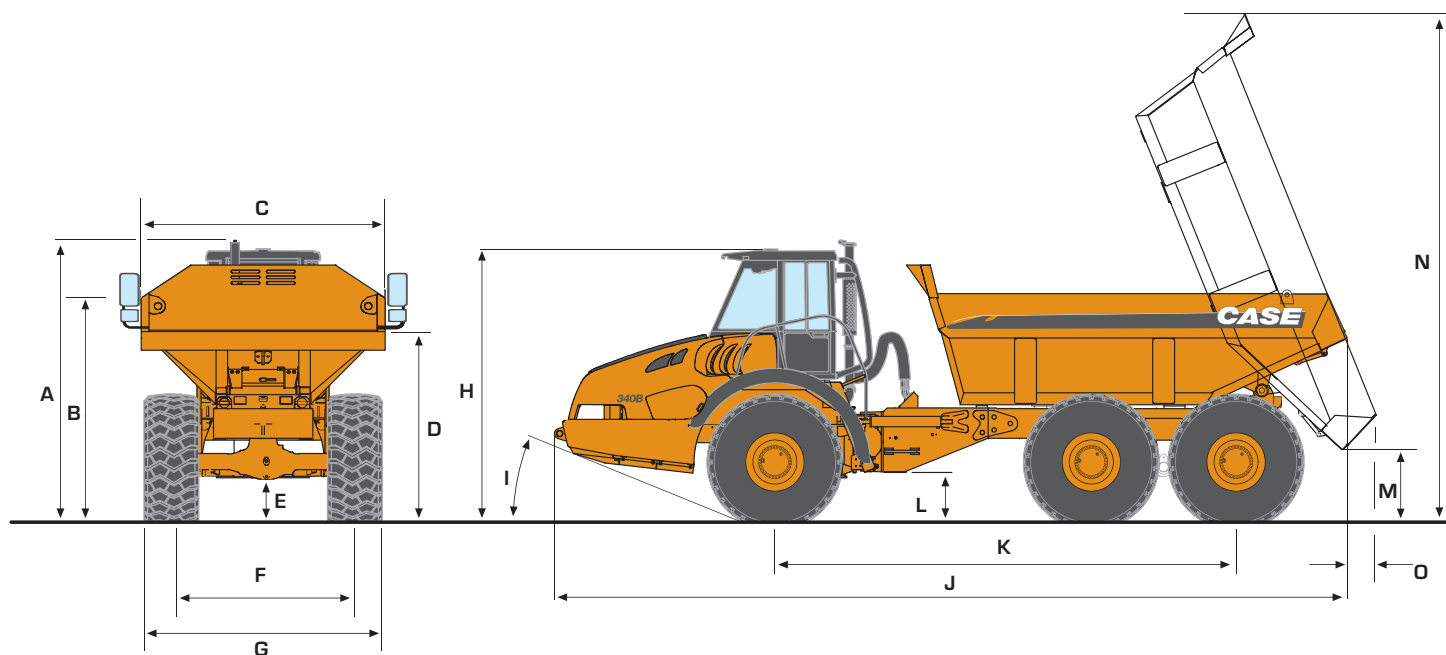
Rim _____ 5 section
Rim _____ size 25 x 22
Standard tyre _____ Tubeless 29.5 R25

WEIGHT

Weight (unladen) _____ 29 000 kg
Front _____ 14 340 kg
Rear _____ 14660 kg
Total laden weight _____ 65 000 kg

340E

GENERAL DIMENSIONS 340B



DIMENSIONS

A	Overall height - top of muffler	m	3.84
B	Height to side of load body	m	3.11
C	Load body width	m	3.34
D	Height to load bed end	m	2.61
E	Ground clearance - rear differential	m	0.58
F	Tread width - centre to centre	m	2.60
G	Overall width	m	3.34
H	Height to top of cab	m	3.72
I	Approach angle		22°
J	Overall length	m	10.78
K	Wheelbase	m	6.27
L	Ground clearance @ articulation point	m	0.68
M	Dump clearance	m	0.98
N	Maximum height - dumping position	m	6.91
O	Rear dumping clearance	m	0.68

327B-330B- 335B-340B

STANDARD EQUIPMENT & OPTIONS

STANDARD EQUIPMENT

Operator's environment

- ROPS (SAE J1040/ISO 3471)
- FOPS (SAE J7231/ISO 3449) cab
- EPA off-road certified
- Heater/defroster/pressuriser
- Air conditioner
- Windshield wiper and washer, front and side
- Rear window protection grille
- Adjustable steering column
- Outside rear view mirrors
- Air suspension driver's seat
- 5 cm wide retractable seat belt
- Training seat
- Windshield sun shade
- Cup holder
- 24V to 12V converter

Instrumentation

- Hourmeter
- Tachometer (rpm)
- Speedometer (mph and km/h)
- Fuel level
- Engine coolant temperature
- Engine oil pressure
- Transmission oil pressure
- Computer visual display unit

Indicator lights

- Alternator charging
- Turn signal
- Service brake pressure
- Parking brake engaged
- Central longitudinal differential lock
- Dump body raised
- Warning lights test button

- **For 335B/340B**
Rear longitudinal differential lock

Switches

- Two speed front wiper
- Front wiper washer
- Side wiper washer
- Interior lights
- Horn
- 12-volt cigarette lighter w/ ashtray
- Hazard warning
- Reverse alarm
- Hi-beam lights
- Turn signal

Transmission

- **For 335B/340B**
Hydraulic retarder

Engine

- Tier III certified
- Engine turbo brake
- Electronic Fuel Injection
- Air cleaner - pre-cleaner

Electrical

- 24-volt system
- Head light, stop light, reverse light
- Front and rear turn signals/flashers
- Electrically operating tilt up hood
- 12-volt plus (2)
- 12-volt wiring for radio and CB

- **For 327B/330B**
140 amp hour batteries (2) - 1200 CCA
70 amp alternator

- **For 335B/340B**
170 amp hour batteries (2) - 1200 CCA
90 amp alternator

Hydraulics

- Flow amplified steering

- Hydraulic diagnostic quick couplers
- **Emergency steering system**
- Ground driven steering pump (1)

Miscellaneous

- Cold start aid - Grid heater
- Cab tilting system
- **For 327B/335B**
Centralised lube
- **For 335B/340B**
Auto Lube System
- **For 340B**
Wet brakes, oil cooled

OPTIONS

Body

- Spillguard
- Body heating kit+spillguard
- Rock body
- Ultra heavy duty rock body
- Rear mechanical tail gate
- Body extensions

Tyres

- **For 327B/330B**
23.5R25 XADN
650/65R25 XADN
- **For 335B**
26.5R25 XADN Michelin
- **For 340B**
29.5R25 XADN Michelin

Transmission

- **For 330B**
Hydraulic retarder

Operator's environment

- Rotating Beacon

- Closed circuit TV (rear view camera & monitor)

Miscellaneous

- Ground line start
- 4 Work lights cab mounted
- Radio

- **For 327B/330B**

Auto lube system

- **For 330B/335B/340B**

Auto warm up with retarder

- **For 335B/340B**

Auxiliary Tipping Brake

- **For 330B**

Wet brakes, oil cooled

Standard and optional equipment shown can vary by country.

Worldwide Case Construction Equipment Contact Information

EUROPE/AFRICA/MIDDLE EAST:
Centre D'affaires EGB
5, Avenue Georges Bataille - BP 40401
60671 Le Plessis-Belleville - FRANCE

NORTH AMERICA/MEXICO:
700 State Street
Racine, WI 53404 U.S.A.

LATIN AMERICA:
Av. General David Sarnoff 2237
32210 - 900 Contagem - MG
Belo Horizonte BRAZIL

ASIA PACIFIC:
Unit 1 - 1 Foundation Place - Prospect
New South Wales - 2148 AUSTRALIA

CHINA:
No. 29, Industrial Premises, No. 376,
De Bao Road, Waigaoqiao Ftz, Pudong,
SHANGHAI, 200131, P.R.C.

CASE Customer Assistance
00800-2273-7373

The call is free from a land line. Check in advance with your Mobile Operator if you will be charged.

NOTE: Standard and optional fittings can vary according to the demands and specific regulations of each country. The illustrations may include optional rather than standard fittings - consult your Case dealer. Furthermore, CNH reserves the right to modify machine specifications without incurring any obligation relating to such changes.



Conforms to directive 98/37/CE

CASE Construction Equipment

CNH UK Ltd
Unit 4,
Hayfield Lane Business Park,
Field Lane, Auckley,
Doncaster,
DN9 3FL
Tel. 00800-2273-7373
Fax +44 1302 802829

www.casece.com

CASE
CONSTRUCTION