

WX

SERIES

WHEELED EXCAVATORS

WX95-WX125

CASE



P R O F E S S I O N A L P A R T N E R

MAINTENANCE

- Latest generation CASE Family III engine with longer (500 hours) oil change intervals
- Three wide, seagull wing type, side panels with gas springs, allow excellent all round maintenance and serviceability of almost all main components from ground level
- Self diagnosis integrated into the electronic management system and monitored by the high definition and multi-function monitor
- Standard ecological engine oil drainage cap and hose

COMFORT

- Mechanically suspended operator seat, adjustable in all directions
- New innovative and comfortable "High Space" cab: the same space available in cabs mounted on bigger class machines to provide maximum operator comfort along with perfect all around visibility thanks to the wide glass surface and transparent cab roof
- Swing brake automatically applied and hydraulically released
- Autoidling device
- Independent fine control of dozer blade and stabilisers on joystick
- Automatic front axle lock integrated in the working brake pedal
- Forward/reverse movements controlled by the accelerator pedal
- Continuous tiltable steering column
- Electric refuel pump (optional)
- One key for all locking functions



NEW GENERATION... NEW



EASY ACCESS TO ALL MAIN COMPONENTS.



EASY SERVICEABILITY FROM GROUND LEVEL.



OUTSTANDING "HIGH SPACE" CAB.

PERFORMANCE

- Easy operation in narrow job sites thanks to compact upper structure and minimum front swing radius
- “Digging wall” capability due to standard hydraulic boom foot articulation
- 33 km/h top speed (if requested by local laws, top speed can be limited to 20 Km/h)
- New Family III engine giving superior power output whilst respecting the strict European Tier 2 Rules
- High swing torque
- Exceptional tractive effort
- Full stabilisers and blade independence
- Total chassis versatility
- Hydraulic circuit load sensing closed centre type, with integrated priority swing system
- Piping for clamshell bucket operation and rotation are standard
- Main valve with provision for hydraulic hammer and crusher

SAFETY

- Patented antidrop safety valves are standard on boom and dipper cylinders
- Lock valves standard on positioning and boom foot articulation cylinders
- Overload warning device standard
- Lifting hook standard on bucket linkage
- Road travel mode with automatic swing and attachment circuit cut out
- Automatic battery cut off
- Cab structure designed and tested for installing optional front grid and/or FOPS protection

DESIGN... CASE CONTINUITY



HYDRAULIC BOOM FOOT ARTICULATION FOR EASY DIGGING ALONGSIDE WALLS.



PATENTED ANTIDROP VALVES ON BOOM AND DIPPER CYLINDERS.



INDEPENDENTLY CONTROLLED DOZER BLADE AND STABILISERS.



STANDARD HOOK IN ACCORDANCE WITH OBJECT HANDLING REGULATIONS.

/ ENGINE

	WX95	WX125
Make	CASE - Family III	
Model	439TC-M2	439TA-M2 (intercooled)
Type	4 cyl. turbo charged, direct injection	
Displacement	3.9 l	
Bore x stroke	102 x 120 mm	
Output power (ISO 14396)	74 kW/99 hp	87 kW/117 hp
Rated speed	2100 rpm	2000 rpm

The latest generation CASE Family III engines comply with the EU Tier 2 directive. Modern, quiet, with low fuel consumption and designed for reliability, the CASE engine reduces owning and operating costs. Engine auto idle can be activated manually.



/ UNDERCARRIAGE

Both new machines are equipped with a two gear range transmission. The maximum travel speed is increased to 33 km/h, to reduce on road down time. The typical CASE manoeuvrability allows safe and accurate movements. Modular frame allows the assembly of all possible chassis configurations, according to customer requests:

Machine manoeuvrability

- 2 wheel steering
- 4 wheel steering (with the possibility to choose: 2 wheel steering only; 4 wheel double steering for minimum turning circle diameter and crab steering for diagonal movement).



2 wheels

4 wheels

Crab

- Turning circle diameter

	WX95	WX125
2 wheel steering	12.6 m	12.5 m
4 wheel steering	7.7 m	8.4 m



Machine flexibility in applications

- rear blade
- rear stabilisers
- front blade and rear stabilisers
- four stabilisers

The stabilisers and blade are fully independent (front/rear and left/right), controlled by the boom joystick and easily selectable by switches. Right hand side spacious tool box under the steps is standard.

	WX95	WX125
Maximum travel speed (field range)	11 km/h	
Maximum travel speed (road range)	33 km/h	
Maximum drawbar pull (field range)	62 kN	79 kN

According to operator choice the front axle can be automatically blocked when the working brake pedal is applied.

/ HYDRAULIC CIRCUIT

MAIN PUMP

		WX95	WX125
Total max. flow	l/min	151	182
Attachment max. pressure	bar	350	350
Travel max. pressure	bar	350	350
Swing max. pressure	bar	190	200

- New hydraulic system for perfect controllability and simultaneity of all movements.
- New generation on-board computer and engine speed sensing control device for total hydraulic power exploitation.
- Automatic priority system device.
- Swing pressure control for outstanding controllability and high operator comfort in upperstructure acceleration/stop.
- Flow pump saving and shockless system circuits to minimise oil at discharge and to ensure perfectly homogeneous movements.



/ CAB

“High space” new cab, as roomy as on higher class excavators, designed with the operator in mind:

- Spacious and ergonomic environment with tinted glass.
- Offering outstanding all-round visibility.
- Modular total or partial opening windscreen with front sunshade and transparent rain shield.
- Large transparent cab roof with sunshade.
- Fully adjustable suspension seat.
- Steering column with continuously adjustable inclination.
- Exceptionally quiet cab.
- Easy to operate joystick controls and pedals.
- High definition multifunction monitor incorporating:
 - Clock
 - Maintenance programme
 - Self diagnosis system
 - Travel speed
 - Engine RPM

For operator convenience, most of the major operating controls are located on the joysticks. Forward and reverse movements are easily controlled by the accelerator pedal.



NOISE LEVELS

		WX95	WX125
LwA	dBA	102	101
LpA	dBA	73	74

ELECTRICAL CIRCUIT

(Same for both models)

Voltage	24 V
Batteries	2 x 12 V - 100 Ah
Alternator	70 A
Starter motor	4 kW

BRAKE SYSTEM

Service brakes: oil bath disc type.

Work brake: acts on service brakes and locks front axle oscillation.

Parking brake: spring type mechanical acting on rear service brake.

Emergency brake: double braking circuit and automatic brake actuation with the engine shut down.

TYRES

	WX95	WX125
4 Wheels	500/45-20	600/40-22.5
8 Wheels with twinning rings	8.25-20	10.00 - 20

SWING

The swing function is operated by the main hydraulic Load Sensing circuit with an integrated automatic priority system coupled with swing motor reducer and automatic static brake:

	WX95	WX125
Swing speed	8.0 rpm	8.3 rpm
Swing torque	23.0 kNm	26.0 kNm



CAPACITIES

	WX95	WX125
Engine oil	13 l	13 l
Cooling circuit	22 l	22 l
Fuel tank	128 l	162 l
Hydraulic tank	94 l	110 l
Swing gear	3 l	3 l

UPPERSTRUCTURE

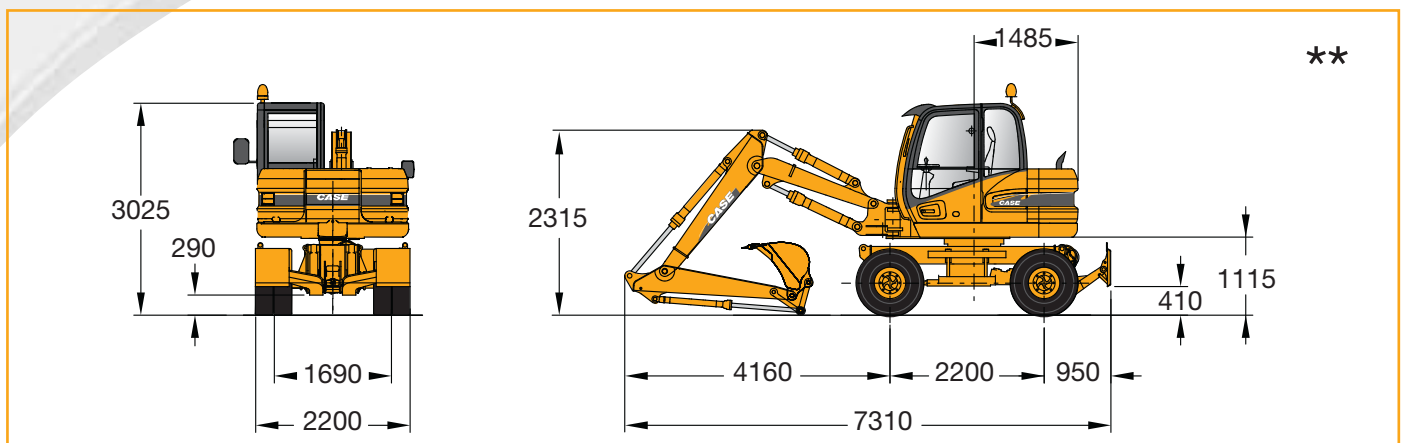
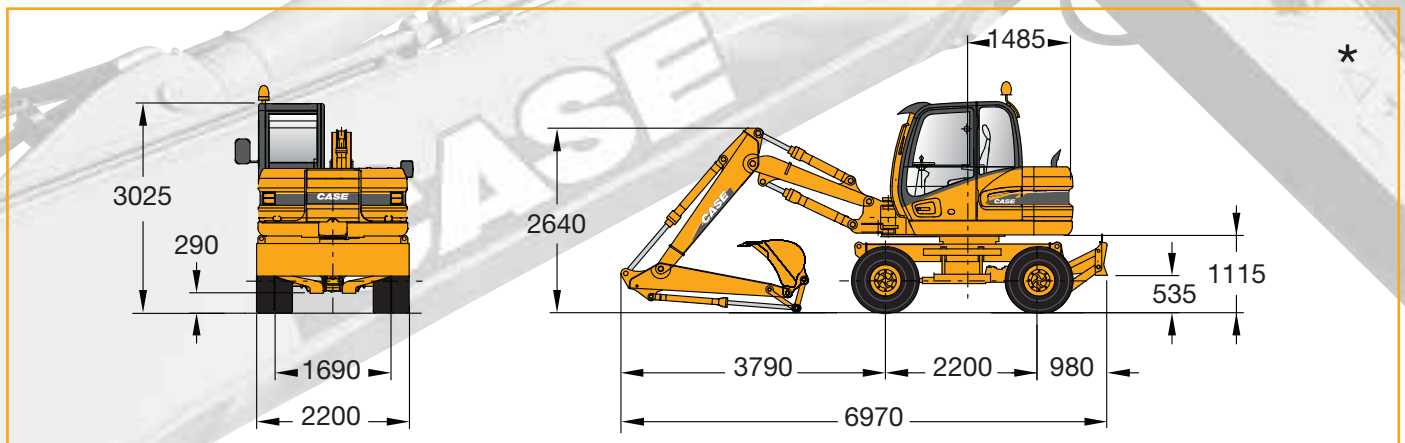
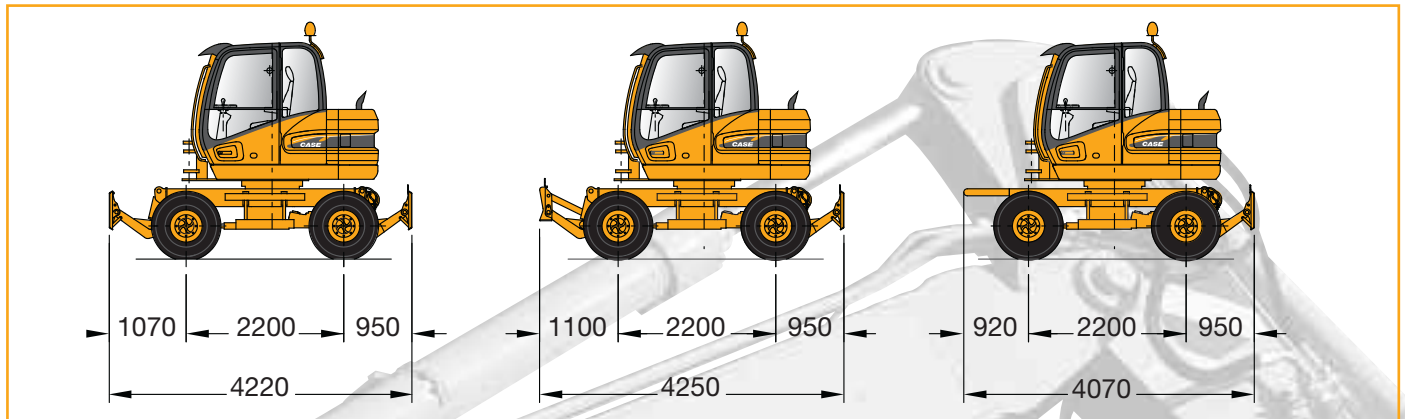
The new CASE WX offer as standard a compact upperstructure, integrating longitudinal engine. Even with a reduced tail radius, the service point accessibility is enhanced and the best access for service and maintenance is granted from ground level.

	WX95	WX125
Tail swing radius	1485 mm	1670 mm



WX95 OVERALL D

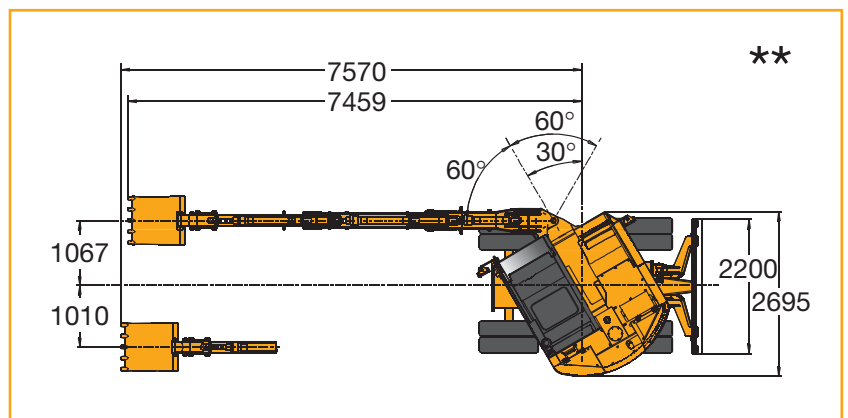
Machine equipped with twin tyres 8.25-20 14PR



Dimensions are indicated in mm

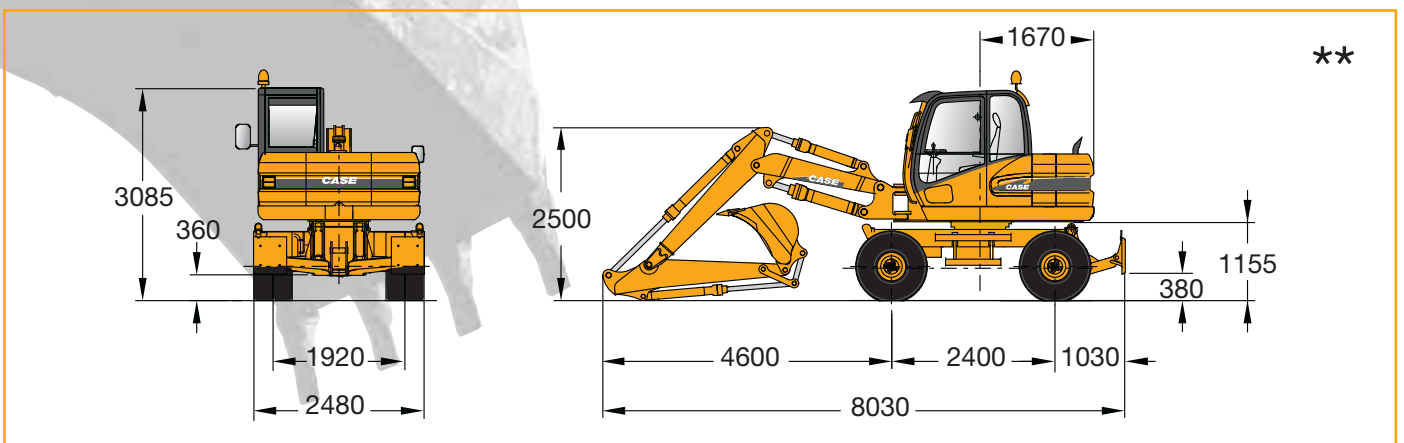
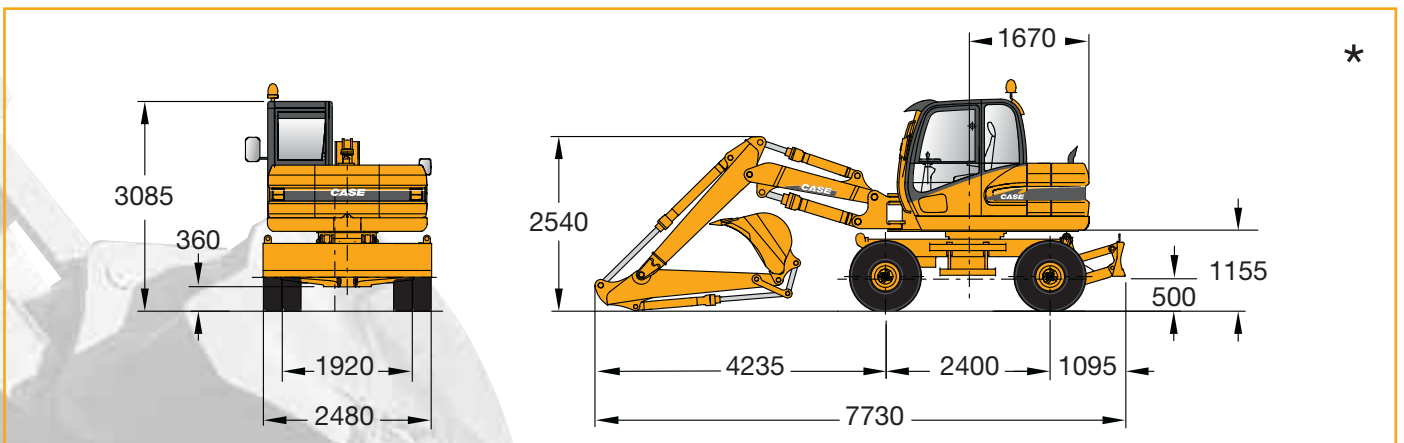
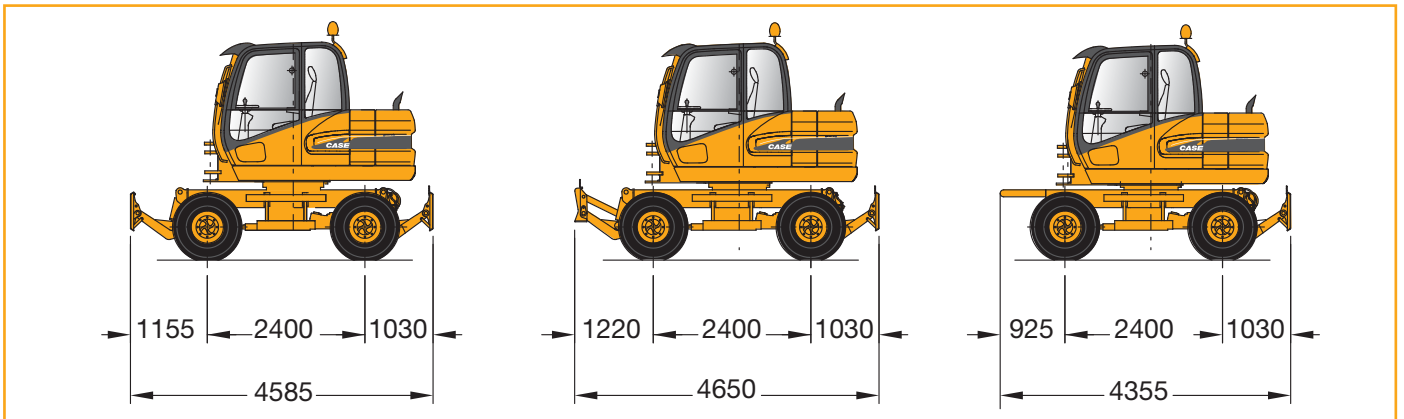
* Machine equipped with dipper 1850 mm long

** Machine equipped with dipper 2200 mm long



DIMENSIONS WX125

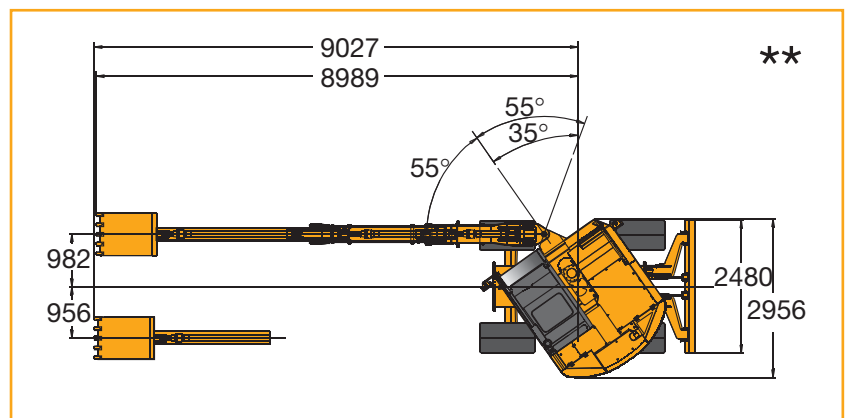
Machine equipped with twin tyres 10.00-20 16PR



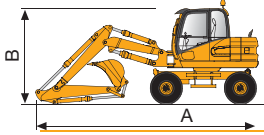




Dimensions are indicated in mm

* Machine equipped with dipper 2000 mm long

** Machine equipped with dipper 2350 mm long



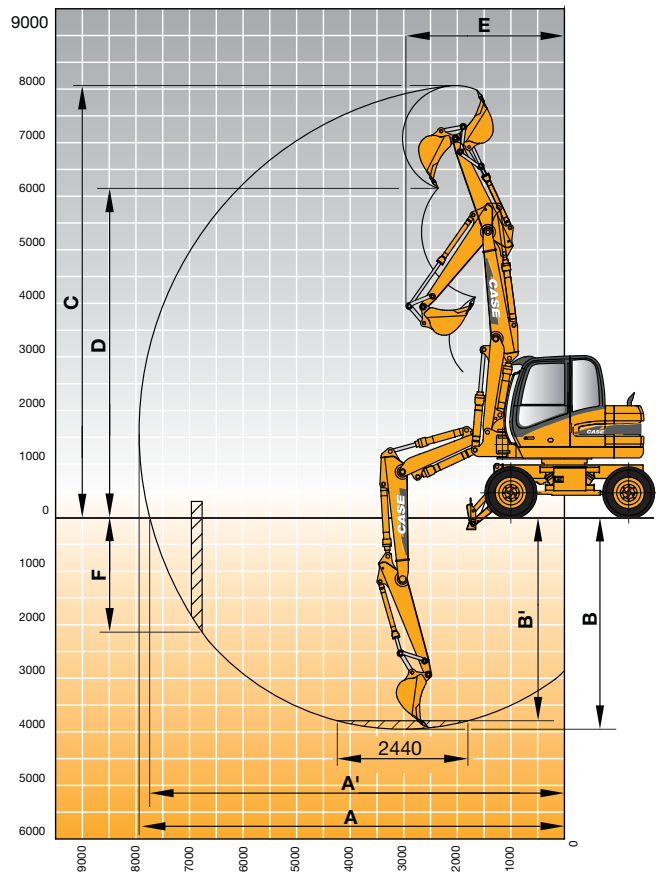
/ SHIPPING DIMENSIONS AND WEIGHT

		PL Rear Blade			P2A Rear Stabilisers			P2AL Front Blade + Rear Stab.			P4A 4 Stabilisers		
		A mm	B mm	 kg	A mm	B mm	 kg	A mm	B mm	 kg	A mm	B mm	 kg
WX95	Dipper 1.85 m	6970	3025	9550	6940	3025	9400	6940	3025	9950	6940	3025	9800
	Dipper 2.20 m	7340	3025	9600	7310	3025	9450	7310	3025	10000	7310	3025	9850
WX125	Dipper 2.00 m	7730	3085	12050	7665	3085	11850	7665	3085	12550	7665	3085	12350
	Dipper 2.35 m	8095	3085	12100	8030	3085	11900	8030	3085	12600	8030	3085	12400

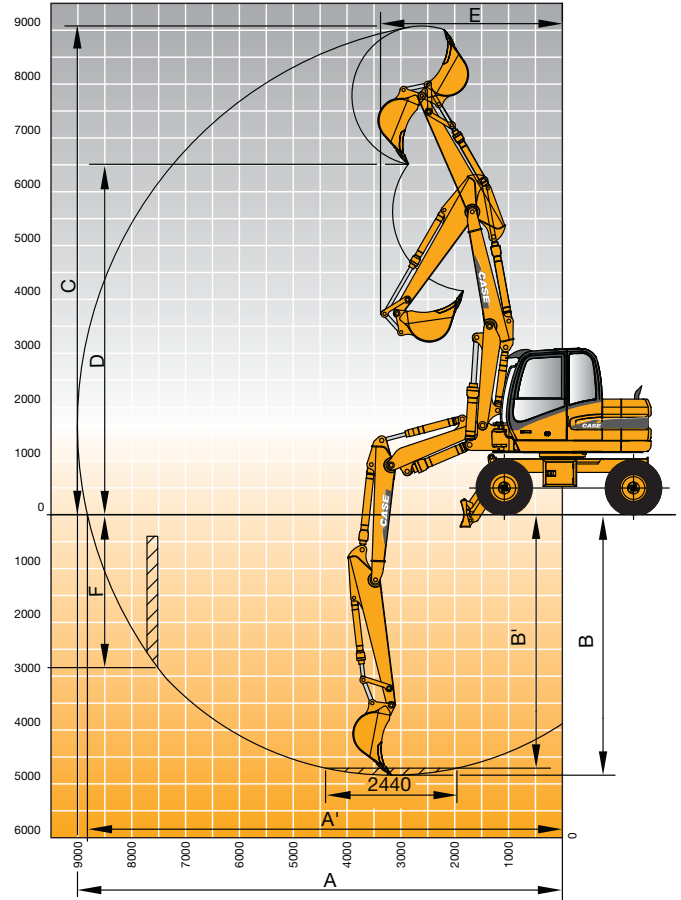


WORKING RANGE

WX95



WX125



WX95

WX125

DIPPERSTICK	mm	WX95		WX125	
		1850	2200	2000	2350
A Max. digging reach	mm	7941	8282	8668	9008
A' Max. digging reach at ground level	mm	7743	8095	8474	8824
B Max. digging depth	mm	3951	4298	4491	4838
B' Max. depth of cut for 2440 mm level bottom	mm	3793	4151	4352	4708
C Max. digging height	mm	8066	8397	8759	9080
D Max. loading height	mm	6147	6490	6201	6510
E Min. front swing radius	mm	2959	3189	3174	3378
F Max. digging depth of vertical wall	mm	2138	2403	2570	2841
Bucket breakout force (350 bar)	daN	4600	4600	7300	7300
Stick crowd force (350 bar)	daN	4530	4010	6290	5670

BUCKETS

General purpose for WX95

Capacity SAE	l	96	135	193	237	280
Width	mm	350	450	600	700	800
Weight	kg	95	110	130	140	145

General purpose for WX125

Capacity SAE	l	232	297	364	433	503	574
Width	mm	500	600	700	800	900	1000
Weight	kg	195	210	230	245	270	285

BASE BOOM: 1.75 m
TOP BOOM: 2.00 m
BUCKET (CECE): 0.193 m³ (130 Kg)

PL up - DIPPERSTICK 1.85 m

Height	Reach						At max reach		
	3.5 m		4.5 m		6.0 m		Front	Side	Max reach
	Front	Side	Front	Side	Front	Side			
6.0 m	2.9*	2.3	2.0	1.5	0	0	1.7	1.3	5.0
4.5 m	2.9*	2.3	2.0	1.5	1.2	0.9	1.1	0.8	6.3
3.0 m	2.8	2.1	1.9	1.4	1.2	0.9	1.0	0.7	6.9
1.5 m	0	0	1.8	1.3	1.2	0.9	0.9	0.7	7.1
0.0 m	2.4	1.7	1.7	1.2	1.1	0.8	0.9	0.7	6.9
-1.5 m	2.4	1.8	1.7	1.2	1.1	0.8	1.0*	0.8	6.2
-2.5 m	0	0	1.2	1.2	0	0	1.2	1.2	4.7

PL up - DIPPERSTICK 2.20 m

Height	Reach						At max reach		
	3.5 m		4.5 m		6.0 m		Front	Side	Max reach
	Front	Side	Front	Side	Front	Side			
6.0 m	0	0	2.0	1.5	0	0	1.4	1.1	5.5
4.5 m	0	0	2.0	1.5	1.3	0.9	1.0	0.8	6.7
3.0 m	2.8	2.1	1.9	1.4	1.2	0.9	0.9	0.6	7.3
1.5 m	0	0	1.8	1.3	1.2	0.9	0.8	0.6	7.5
0.0 m	2.4	1.7	1.7	1.2	1.1	0.8	0.9	0.6	7.2
-1.5 m	2.4	1.7	1.7	1.2	1.1	0.8	1.0	0.7	6.6
-2.5 m	0	0	1.2	1.2	0	0	1.2	1.2	4.9

PL down - DIPPERSTICK 1.85 m

Height	Reach						At max reach		
	3.5 m		4.5 m		6.0 m		Front	Side	Max reach
	Front	Side	Front	Side	Front	Side			
6.0 m	2.9*	2.7	2.5*	1.8	0	0	1.8*	1.5	5.0
4.5 m	2.9*	2.7	2.4*	1.8	2.0*	1.1	1.5*	1.0	6.3
3.0 m	4.0*	2.5	2.8*	1.7	2.1*	1.1	1.5*	0.8	6.9
1.5 m	0	0	3.2*	1.5	2.1*	1.0	1.6*	0.8	7.1
0.0 m	4.0*	2.1	3.0*	1.5	1.9*	1.0	1.4*	0.8	6.9
-1.5 m	2.6*	2.1	2.1*	1.5	1.2*	1.0	1.0*	1.0	6.2
-2.5 m	0	0	1.2	1.2	0	0	1.2	1.2	4.7

PL down - DIPPERSTICK 2.20 m

Height	Reach						At max reach		
	3.5 m		4.5 m		6.0 m		Front	Side	Max reach
	Front	Side	Front	Side	Front	Side			
6.0 m	0	0	2.2*	1.8	0	0	1.5*	1.3	5.5
4.5 m	0	0	2.2*	1.8	1.9	1.1	1.3*	0.9	6.7
3.0 m	3.6*	2.5	2.7*	1.7	2.0*	1.1	1.2*	0.8	7.3
1.5 m	0	0	3.2*	1.6	2.1*	1.0	1.3*	0.7	7.5
0.0 m	4.4*	2.1	3.1*	1.5	2.0*	1.0	1.3*	0.8	7.2
-1.5 m	3.1*	2.1	2.4*	1.5	1.5*	1.0	1.0*	0.9	6.6
-2.5 m	0	0	1.2	1.2	0	0	1.2	1.2	4.9

P2A down - DIPPERSTICK 1.85 m

Height	Reach						At max reach		
	3.5 m		4.5 m		6.0 m		Front	Side	Max reach
	Front	Side	Front	Side	Front	Side			
6.0 m	2.9*	2.3	2.5*	1.5	0	0	1.8*	1.2	5.0
4.5 m	2.9*	2.3	2.4*	1.5	2.0*	0.9	1.5*	0.8	6.3
3.0 m	4.0*	2.1	2.8*	1.4	2.1*	0.9	1.5*	0.7	6.9
1.5 m	0	0	3.2*	1.3	2.1*	0.8	1.6*	0.7	7.1
0.0 m	4.0*	1.7	3.0*	1.2	1.9*	0.8	1.4*	0.7	6.9
-1.5 m	2.6*	1.8	2.1*	1.2	1.2*	0.8	1.0*	0.8	6.2
-2.5 m	0	0	1.2	1.2	0	0	1.2	1.2	4.7

P2A down - DIPPERSTICK 2.20 m

Height	Reach						At max reach		
	3.5 m		4.5 m		6.0 m		Front	Side	Max reach
	Front	Side	Front	Side	Front	Side			
6.0 m	0	0	2.2*	1.5	0	0	1.5*	1.1	5.5
4.5 m	0	0	2.2*	1.5	1.9	0.9	1.3*	0.8	6.7
3.0 m	3.6*	2.1	2.7*	1.4	2.0*	0.9	1.2*	0.6	7.3
1.5 m	0	0	3.2*	1.3	2.1*	0.8	1.3*	0.6	7.5
0.0 m	4.4*	1.7	3.1*	1.2	2.0*	0.8	1.3*	0.6	7.2
-1.5 m	3.1*	1.7	2.4*	1.2	1.5*	0.8	1.0*	0.7	6.6
-2.5 m	0	0	1.2	1.2	0	0	1.2	1.2	4.9

P2AL down - DIPPERSTICK 1.85 m

Height	Reach						At max reach		
	3.5 m		4.5 m		6.0 m		Front	Side	Max reach
	Front	Side	Front	Side	Front	Side			
6.0 m	2.9*	2.9	2.5*	1.9	0	0	1.8*	1.6	5.0
4.5 m	2.9*	2.9	2.4*	1.9	2.0*	1.2	1.5*	1.1	6.3
3.0 m	4.0*	2.6	2.8*	1.8	2.1*	1.2	1.5*	0.9	6.9
1.5 m	0	0	3.2*	1.7	2.1*	1.1	1.6*	0.9	7.1
0.0 m	4.0*	2.3	3.0*	1.6	1.9*	1.1	1.4*	0.9	6.9
-1.5 m	2.6*	2.3	2.1*	1.6	1.2*	1.1	1.0*	1.0	6.2
-2.5 m	0	0	1.2	1.2	0	0	1.2	1.2	4.7

P2AL down - DIPPERSTICK 2.20 m

Height	Reach						At max reach		
	3.5 m		4.5 m		6.0 m		Front	Side	Max reach
	Front	Side	Front	Side	Front	Side			
6.0 m	0	0	2.2*	1.9	0	0	1.5*	1.4	5.5
4.5 m	0	0	2.2*	1.9	1.9	1.2	1.3*	1.0	6.7
3.0 m	3.6*	2.7	2.7*	1.8	2.0*	1.2	1.2*	0.8	7.3
1.5 m	0	0	3.2*	1.7	2.1*	1.1	1.3*	0.8	7.5
0.0 m	4.4*	2.3	3.1*	1.6	2.0*	1.1	1.3*	0.8	7.2
-1.5 m	3.1*	2.3	2.4*	1.6	1.5*	1.1	1.0*	1.0	6.6
-2.5 m	0	0	1.2	1.2	0	0	1.2	1.2	4.9

P4A down - DIPPERSTICK 1.85 m

Height	Reach						At max reach		
	3.5 m		4.5 m		6.0 m		Front	Side	Max reach
	Front	Side	Front	Side	Front	Side			
6.0 m	2.9*	2.4	2.5*	1.6	0	0	1.8*	1.3	5.0
4.5 m	2.9*	2.4	2.4*	1.6	2.0*	1.0	1.5*	0.9	6.3
3.0 m	4.0*	2.2	2.8*	1.5	2.1*	1.0	1.5*	0.8	6.9
1.5 m	0	0	3.2*	1.4	2.1*	0.9	1.6*	0.7	7.1
0.0 m	4.0*	1.9	3.0*	1.3	1.9*	0.9	1.4*	0.7	6.9
-1.5 m	2.6*	1.9	2.1*	1.3	1.2*	0.9	1.0*	0.9	6.2
-2.5 m	0	0	1.2	1.2	0	0	1.2	1.2	4.7

P4A down - DIPPERSTICK 2.20 m

Height	Reach						At max reach		
	3.5 m		4.5 m		6.0 m		Front	Side	Max reach
	Front	Side	Front	Side	Front	Side			
6.0 m	0	0	2.2*	1.6	0	0	1.5*	1.1	5.5
4.5 m	0	0	2.2*	1.6	1.9	1.0	1.3*	0.8	6.7
3.0 m	3.6	2.3	2.7*	1.5	2.0*	1.0	1.2*	0.7	7.3
1.5 m	0	0	3.2*	1.4	2.1*	0.9	1.3*	0.7	7.5
0.0 m	4.4*	1.8	3.1*	1.3	2.0*	0.9	1.3*	0.7	7.2
-1.5 m	3.1*	1.9	2.4*	1.3	1.5*	0.9	1.0*	0.8	6.6
-2.5 m	0	0	1.2	1.2	0	0	1.2	1.2	4.9

- Lift capacities are taken in accordance with SAE J 1097/ISO 10567/DIN 15019-2.
 - Lift capacities shown in tons do not exceed 75% of the tipping load or 87% of the hydraulic lift capacity.
 - Capacities that are marked with an asterisk are hydraulic limited.

- If the machine is equipped with a quick coupler, subtract the weight of the quick coupler from the load shown in the tables to calculate the real lifting capacity.
 - The machine must be parked on firm, level ground, with stabilisers and/or blade on the ground.

CAPACITY WX125

TED BOOM

BASE BOOM: 1.85 m
TOP BOOM: 2.15 m
BUCKET (CECE): 0.433 m³ (245 Kg)

PL up - DIPPERSTICK 2.00 m									
Height	Reach						At max reach		
	4.5 m		6.0 m		7.5 m		Front	Side	Max reach
	Front	Side	Front	Side	Front	Side			
6.0 m	2.6	2.3	0	0	0	0	1.6	1.5	5.7
4.5 m	2.6	2.3	1.5	1.4	0	0	1.1	1.1	6.9
3.0 m	2.4	2.1	1.5	1.4	0	0	1.0	0.9	7.4
1.5 m	2.1	1.9	1.4	1.3	0.9	0.8	0.9	0.8	7.6
0.0 m	2.0	1.8	1.3	1.2	0	0	1.0	0.9	7.3
-1.5 m	2.0	1.8	1.3	1.2	0	0	1.1	1.0	6.7
-3.0 m	1.8	1.6	0	0	0	0	1.8	1.6	4.9

PL up - DIPPERSTICK 2.35 m									
Height	Reach						At max reach		
	4.5 m		6.0 m		7.5 m		Front	Side	Max reach
	Front	Side	Front	Side	Front	Side			
6.0 m	2.3	2.4	1.6	1.4	0	0	1.4	1.3	6.2
4.5 m	2.6	2.3	1.6	1.4	0	0	1.1	1.0	7.2
3.0 m	2.4	2.1	1.5	1.3	1.0	0.9	0.9	0.8	7.8
1.5 m	2.2	1.9	1.4	1.2	1.0	0.8	0.9	0.8	7.9
0.0 m	2.0	1.8	1.3	1.2	0.9	0.8	0.9	0.8	7.7
-1.5 m	2.0	1.7	1.3	1.1	0	0	1.0	0.9	7.1
-3.0 m	1.8	1.6	0	0	0	0	1.8	1.6	4.9

PL down - DIPPERSTICK 2.00 m									
Height	Reach						At max reach		
	4.5 m		6.0 m		7.5 m		Front	Side	Max reach
	Front	Side	Front	Side	Front	Side			
6.0 m	4.1*	2.7	0	0	0	0	2.5*	1.7	5.7
4.5 m	4.3*	2.6	3.6*	1.6	0	0	2.2*	1.2	6.9
3.0 m	5.3*	2.4	3.8*	1.7	0	0	2.2*	1.0	7.4
1.5 m	6.3*	2.2	3.9	1.5	2.7	1.0	2.3*	1.0	7.6
0.0 m	6.0*	2.1	3.8	1.5	0	0	2.6*	1.0	7.3
-1.5 m	4.6*	2.1	3.1*	1.4	0	0	2.2*	1.2	6.7
-3.0 m	2.5*	1.9	0	0	0	0	2.5*	1.9	4.9

PL down - DIPPERSTICK 2.35 m									
Height	Reach						At max reach		
	4.5 m		6.0 m		7.5 m		Front	Side	Max reach
	Front	Side	Front	Side	Front	Side			
6.0 m	3.7*	2.7	2.8*	1.6	0	0	2.1*	1.5	6.2
4.5 m	3.9*	2.7	3.4*	1.6	0	0	1.9*	1.1	7.2
3.0 m	4.9*	2.5	3.7*	1.5	2.7*	1.0	1.8*	1.0	7.8
1.5 m	6.1*	2.2	3.9	1.4	2.7	1.0	1.9*	1.0	7.9
0.0 m	6.2*	2.1	3.8	1.4	2.7	1.0	2.2*	0.9	7.7
-1.5 m	5.0*	2.1	3.3*	1.4	0	0	2.2*	1.1	7.1
-3.0 m	2.5*	1.9	0	0	0	0	2.5*	1.9	4.9

P2A down - DIPPERSTICK 2.00 m									
Height	Reach						At max reach		
	4.5 m		6.0 m		7.5 m		Front	Side	Max reach
	Front	Side	Front	Side	Front	Side			
6.0 m	4.1*	2.3	0	0	0	0	2.5*	1.5	5.7
4.5 m	4.3*	2.3	3.2	1.4	0	0	2.2*	1.0	6.9
3.0 m	5.1	2.1	3.1	1.4	0	0	2.2*	0.9	7.4
1.5 m	4.8	1.9	3.0	1.3	2.1	0.8	2.1	0.8	7.6
0.0 m	4.7	1.8	3.0	1.2	0	0	2.2	0.9	7.3
-1.5 m	4.6*	1.8	3.0	1.2	0	0	2.2*	1.0	6.7
-3.0 m	2.5*	1.6	0	0	0	0	2.5*	1.6	4.9

P2A down - DIPPERSTICK 2.35 m									
Height	Reach						At max reach		
	4.5 m		6.0 m		7.5 m		Front	Side	Max reach
	Front	Side	Front	Side	Front	Side			
6.0 m	3.7*	2.4	2.8*	1.4	0	0	2.1*	1.3	6.2
4.5 m	3.9*	2.3	3.2	1.4	0	0	1.9*	0.9	7.2
3.0 m	4.9*	2.1	3.1	1.3	2.2	0.9	1.8*	0.8	7.8
1.5 m	4.9	1.9	3.0	1.2	2.1	0.8	1.9*	0.8	7.9
0.0 m	4.7	1.7	2.9	1.1	2.1	0.8	2.0	0.8	7.7
-1.5 m	4.7	1.7	2.9	1.1	0	0	2.2*	0.9	7.1
-3.0 m	2.5*	1.6	0	0	0	0	2.5*	1.6	4.9

P2AL down - DIPPERSTICK 2.00 m									
Height	Reach						At max reach		
	4.5 m		6.0 m		7.5 m		Front	Side	Max reach
	Front	Side	Front	Side	Front	Side			
6.0 m	4.1*	2.9	0	0	0	0	2.5*	1.9	5.7
4.5 m	4.3*	2.9	3.6*	1.8	0	0	2.2*	1.4	6.9
3.0 m	5.3*	2.7	3.6	1.8	0	0	2.2*	1.2	7.4
1.5 m	5.5	2.4	3.5	1.7	2.5	1.1	2.3*	1.1	7.6
0.0 m	5.4	2.3	3.4	1.6	0	0	2.5	1.1	7.3
-1.5 m	4.6*	2.3	3.1*	1.5	0	0	2.2*	1.3	6.7
-3.0 m	2.5*	2.1	0	0	0	0	2.5*	2.1	4.9

P2AL down - DIPPERSTICK 2.35 m									
Height	Reach						At max reach		
	4.5 m		6.0 m		7.5 m		Front	Side	Max reach
	Front	Side	Front	Side	Front	Side			
6.0 m	3.7*	2.9	2.8*	1.8	0	0	2.1*	1.6	6.2
4.5 m	3.9*	2.9	3.4*	1.8	0	0	1.9*	1.2	7.2
3.0 m	4.9*	2.7	3.6	1.7	2.5	1.1	1.8*	1.1	7.8
1.5 m	5.6	2.5	3.5	1.6	2.4	1.1	1.9*	1.0	7.9
0.0 m	5.4	2.3	3.4	1.5	2.4	1.1	2.2*	1.1	7.7
-1.5 m	5.0*	2.3	3.3*	1.5	0	0	2.2*	1.2	7.1
-3.0 m	2.5*	2.1	0	0	0	0	2.5*	2.1	4.9

P4A down - DIPPERSTICK 2.00 m									
Height	Reach						At max reach		
	4.5 m		6.0 m		7.5 m		Front	Side	Max reach
	Front	Side	Front	Side	Front	Side			
6.0 m	4.1*	2.5	0	0	0	0	2.5*	1.6	5.7
4.5 m	4.3*	2.4	3.5	1.5	0	0	2.2*	1.1	6.9
3.0 m	5.3*	2.3	3.4	1.5	0	0	2.2*	1.0	7.4
1.5 m	5.3	2.0	3.3	1.4	2.4	0.9	2.3	0.9	7.6
0.0 m	5.2	1.9	3.3	1.3	0	0	2.4	0.9	7.3
-1.5 m	4.6*	1.9	3.1*	1.3	0	0	2.2*	1.1	6.7
-3.0 m	2.5*	1.7	0	0	0	0	2.5*	1.7	4.9

P4A down - DIPPERSTICK 2.35 m									
Height	Reach						At max reach		
	4.5 m		6.0 m		7.5 m		Front	Side	Max reach
	Front	Side	Front	Side	Front	Side			
6.0 m	3.7*	2.5	2.8*	1.5	0	0	2.1*	1.4	6.2
4.5 m	3.9*	2.5	3.4*	1.5	0	0	1.9*	1.0	7.2
3.0 m	4.9*	2.3	3.5	1.4	2.4	0.9	1.8*	0.9	7.8
1.5 m	5.4	2.0	3.3	1.3	2.3	0.9	1.9*	0.8	7.9
0.0 m	5.2	1.9	3.3	1.3	2.3	0.9	2.2*	0.9	7.7
-1.5 m	5.0*	1.9	3.2	1.2	0	0	2.2*	1.0	7.1
-3.0 m	2.5*	1.7	0	0	0	0	2.5*	1.7	4.9

- Lift capacities are taken in accordance with SAE J 1097/ISO 10567/DIN 15019-2.
 - Lift capacities shown in tons do not exceed 75% of the tipping load or 87% of the hydraulic lift capacity.
 - Capacities that are marked with an asterisk are hydraulic limited.

- If the machine is equipped with a quick coupler, subtract the weight of the quick coupler from the load shown in the tables to calculate the real lifting capacity.
 - The machine must be parked on firm, level ground, with stabilisers and/or blade on the ground.

BASIC EQUIPMENT

- 2 wheel steering
- Robust, shielded arc-welded, modular chassis in box section design
- Large toolbox under the right step
- Latest generation CASE Family III Tier 2 diesel engines, current European emissions standards
- Direct injection with turbo charger (charge air cooling on WX125)
- Water-cooled, low-consumption and low-exhaust compliant to EU directive
- Automatic battery main switch (coupled to ignition key)
- Pump Management System
- Hydraulic servo control
- Single pump hydraulic load sensing system with two service pumps
- Engine and pump monitoring by power limit control
- 6 selectable gears; maximum travel speed 33 Km/h
- Encased ball bearing slew ring with long-life lubrication
- Swing drive with low-wearing disc brake
- Noise-insulated and flexibly mounted cabin in soft design
- Tinted safety glazing all around, full up and over windscreen
- Sun blinds, transparent roof and rain protection
- LCD with integrated error diagnosis function
- Steering column incline infinitely variable
- Ergonomic design of arm rests and foot pedals
- Driver suspension seat individually adjustable for height and incline
- Consoles adjustable for height and length
- Forward/Reverse shifting on accelerator
- Independent control of blade and each stabiliser
- Automatic axle locking system
- Travel and swing hydrostatic braking
- Centralised control of blade and stabilisers on right joystick
- Safety load hook on bucket linkage
- Patented safety valves for hoist mode
- Hydraulic system provision for hammer and shears

POSSIBLE ADDITIONAL OPTIONS

- 4 wheel steering
- 20 km/h forward speed
- Single or twin tyres
- Dozer blade with hydraulic parallel guidance
- Stabilisers with large, lockable pads
- Transport holder for clamshell grab
- Radio with 12 V electrical auxiliary supply in cab
- Front guard
- FOPS protection for cab
- Air conditioning
- Electric diesel filling system
- Cold starting kit
- Biodegradable oil
- Rotating beacon
- Piping for hammer and shears

Standard and optional equipment shown can vary by country.



SERVICE & SUPPORT
THE CASE DEALER
YOUR PROFESSIONAL PARTNER



NOTE: Standard and optional fittings can vary according to the demands and specific regulations of each country. The illustrations may include optional rather than standard fittings - consult your Case dealer. Furthermore, CNH reserves the right to modify machine specifications without incurring any obligation relating to such changes.

CNH UK Ltd.
Armstrong House
The Finningley Estate
Hayfield Lane
Doncaster
DN9 3XA
Fax +44 (0)1302 802126

WORLDWIDE CASE CONSTRUCTION EQUIPMENT CONTACT INFORMATION

EUROPE/AFRICA/MIDDLE EAST:
CENTRE D'AFFAIRES EGB
5, AVENUE GEORGES BATAILLE - BP 40401
60671 LE PLESSIS-BELLEVILLE - FRANCE

NORTH AMERICA/MEXICO:
700 STATE STREET
RACINE, WI 53404 U.S.A.

LATIN AMERICA:
AV. GENERAL DAVID SARNOFF 2237
32210 - 900 CONTAGEM - MG
BELO HORIZONTE BRAZIL

ASIA PACIFIC:
UNIT 1 - 1 FOUNDATION PLACE - PROSPECT
NEW SOUTH WALES - 2148 AUSTRALIA

CHINA:
No. 29, INDUSTRIAL PREMISES, No. 376,
DE BAO ROAD, WAIGAOQIAO FTZ, PUDONG,
SHANGHAI, 200131, P.R.C.

Conforms to directive 98/37/CE



www.casece.com

CASE
PROFESSIONAL PARTNER