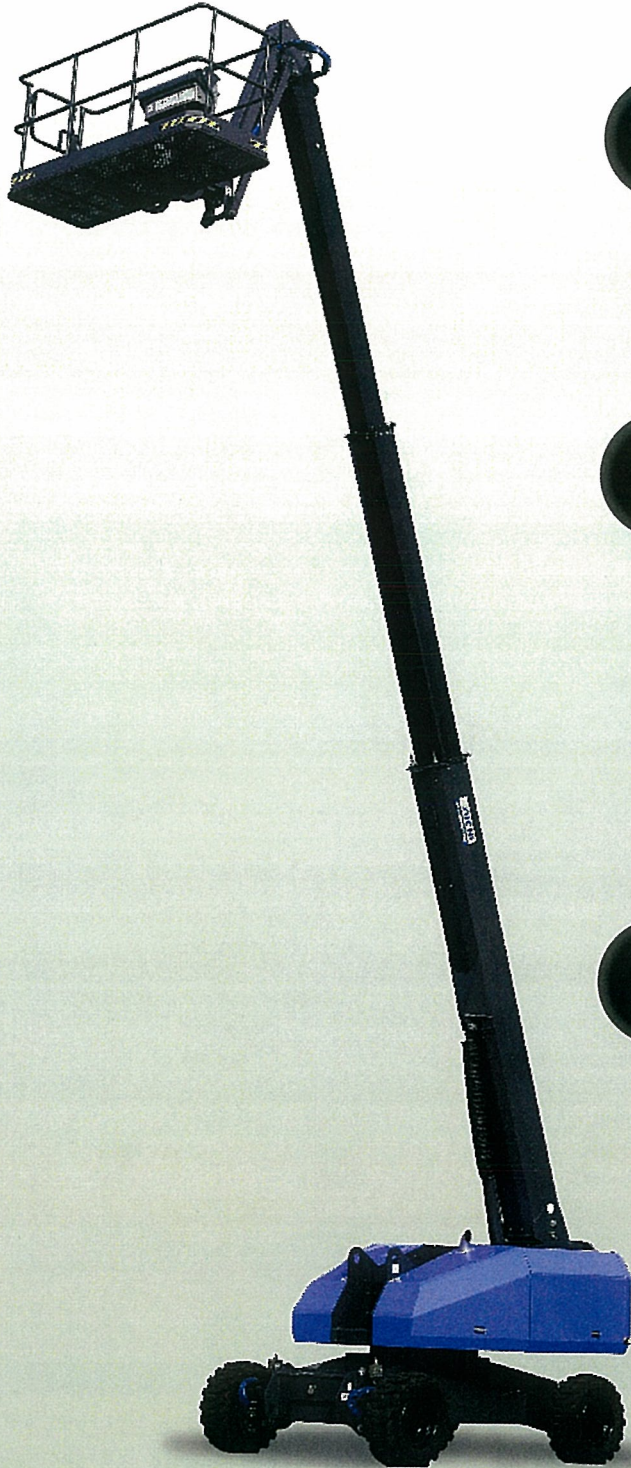


# SKYMASTER

# SP12C SP14CJ

## AICHI GLOBAL SERIES BOOM MODEL

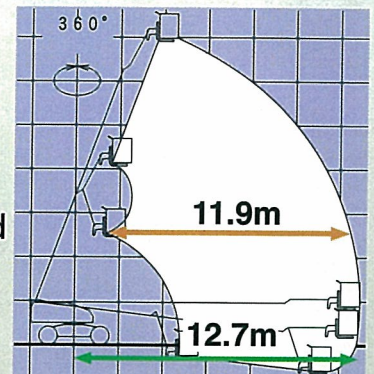


### 1 COMPACT BODY

SKYMASTER SP12C & SP14CJ provide low and short dimensions in stowed position. This compact style allows high maneuverability and effective transportability.

### 2 WIDE WORKING RANGE

Maximum horizontal outreach and boom fold down position provide wide working range with 3 stages telescopic booms and fly jib.



### 3 SIMPLE & SMOOTH OPERATION SYSTEM

Individual proportional control levers provide smooth operation.

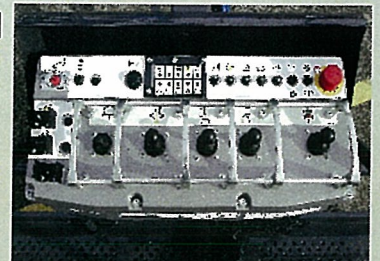


Photo: Upper control box

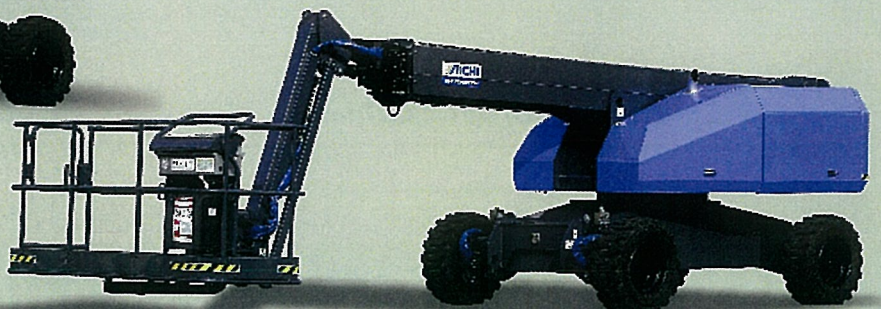


Photo: Stowed Style ( SP14CJ)

[CAUTION]  
ALL PHOTOS: SP14CJ  
OPTION DEVICES EQUIPPED,  
STANDARD PAINTING COLOR



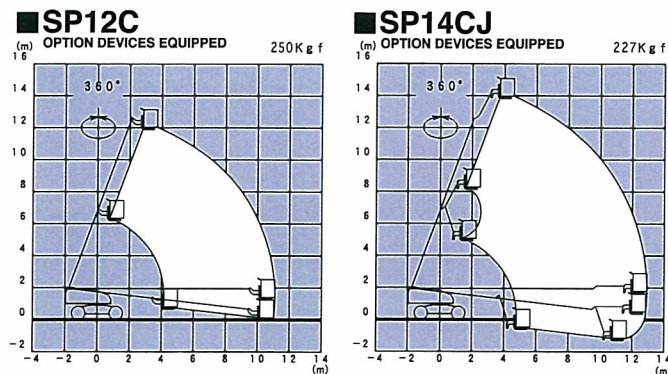
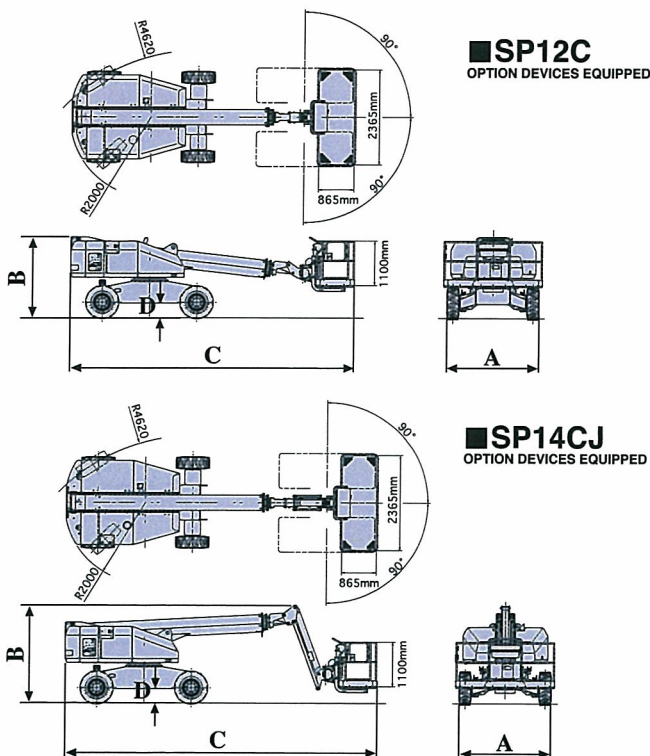


**THE LARGE INSPECTION HATCH**  
It can provide efficient comfortable inspection environment.



**PULL-OUT CABLE SYSTEM**  
Internal hoses and cables can be pulled out by cartridge

### DIMENSIONS



### MAJOR SPECIFICATIONS

#### For European Market

●MODEL		SP12C	SP14CJ
Model		SP12C	SP14CJ
●BASKET			
Basket Capacity	6ft	250kg	
	8ft	227kg	
Basket Height		12.0m	13.9m
Basket Outreach		10.9m	12.7m
Basket Size	6ft	1.76m×0.76m×1.1m	
	8ft	2.36m×0.83m×1.1m	
Basket Rotator		180degree	
●BOOM			
Type		3 stage synchronized telescopic action	
Boom Length		5.34m — 11.29m	
Extension Speed		30s	
Retraction Speed		25s	
Boom Angle		-7 — 70degree	
Elevation Speed		45s	
●FLY JIB ARTICULATION			
Length		-	1.75m
Articulating Angle		-	-60 — 70degree
Elevation Speed (up)		-	27s
Elevation Speed (down)		-	20s
●ROTATION DEVICE			
Angle		360degrees (continuous)	
Speed		80s (360degree)	
●TRAVEL DEVICE			
Speed (Max)		7.2km/h (Stowed) 1.2km/h (Lifted)	
Gradeability		24degrees	
Axle Oscillation (Stowed)		100mm	
●DIMENSION			
A Overall Width		2.30m	
B Overall Height		2.00m	2.43m
C Overall Length		6.86m	7.56m
D Ground Clearance		330mm	
Vehicle Weight		7,015kg	8,200kg
●POWER SOURCE			
Engine		YANMAR 4TNV88 (Diesel)	
Fuel Tank Capacity		120L	
Hydraulic Tank Capacity		190L	
●OPTIONAL EQUIPMENTS			
8feet basket			

**AICHI CORPORATION**  
Overseas Sales & Marketing Department  
<http://www.aichi-corp.jp>

### DISTRIBUTORS

### The AICHI "2 - 3 - 5 " Warranty

AICHI CORPORATION backs its products with its exclusive "2 - 3 - 5 " Warranty.

two (2) years ; Basic warranty parts  
three (3) years.; Specified Hydraulic components  
five (5) years.; Structural components

Note; Due to continuous products improvements,  
we reserve the right to make specification  
and / or equipment changes without prior notification.