

MANIHOE

MLB 625 T



 **MANITOU**

Reach where others stop...

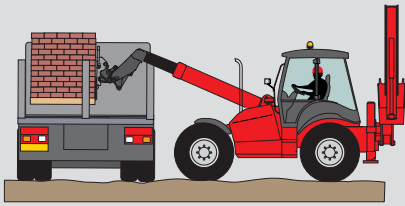


The telescopic arm of the MANIHOE enables a 5 m lift height and 3 m forward reach. These two features offer an **ease of work and productivity** second to none.

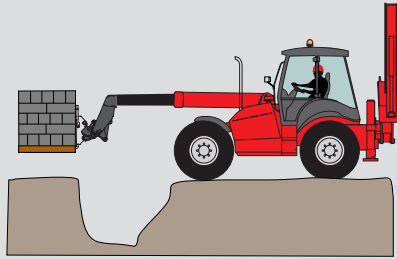
Return on investment

Productivity

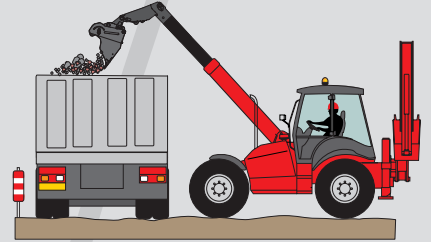
Loading / unloading pallets



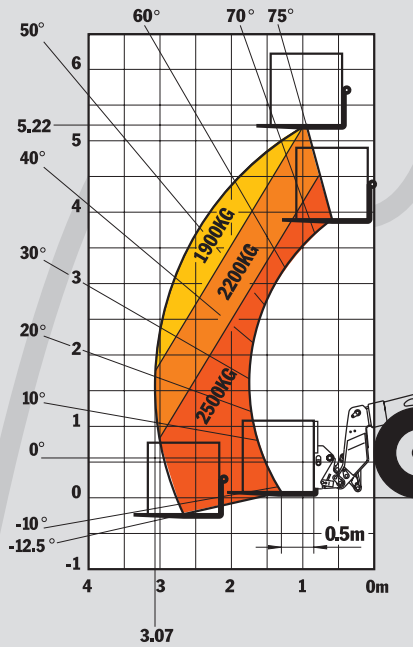
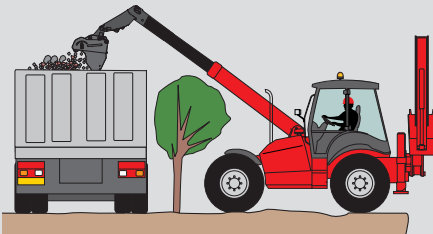
Reaching over trenches



Loading trucks



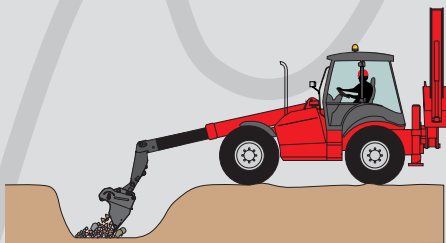
Reaching over obstacles



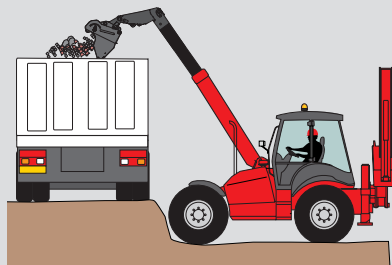
Ponds digging



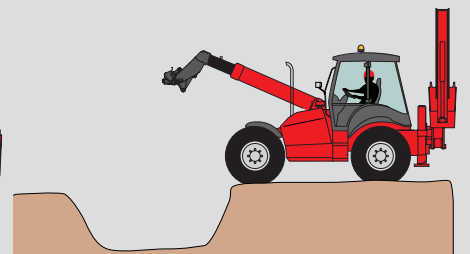
Trench backfilling



Stone clearing/grading

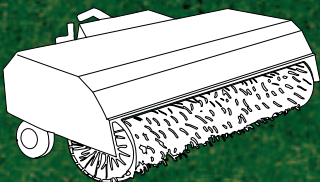


Other applications...

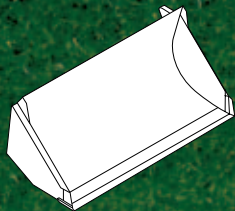


Ease of work

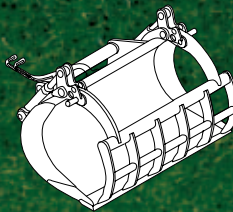
Versatility in a few seconds...



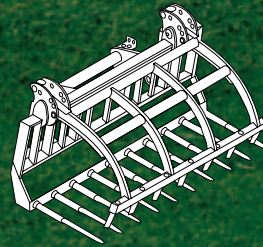
Road sweeper



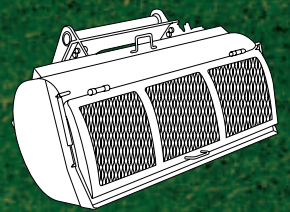
Agricultural bucket



Bucket with grab



Muck forks



Concrete Mixer bucket

The **MANIHOE** is fitted with an **attachment quick coupling carriage** whose strength and reliability have already been proven on more than 100,000 MANITOU machines.

Forks, buckets and many other attachments can be fitted in few seconds, hence enabling you to work with **a specifically designed attachment for each task.**

5 seconds



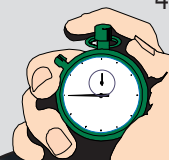
Removing 4x1 bucket

25 seconds



Hooking on the forks

45 seconds



Locking the attachment

A perfect visibility on your attachment

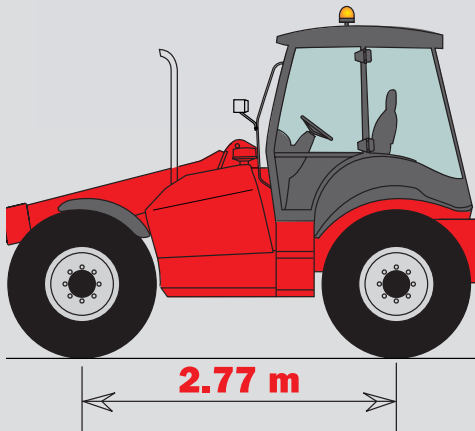
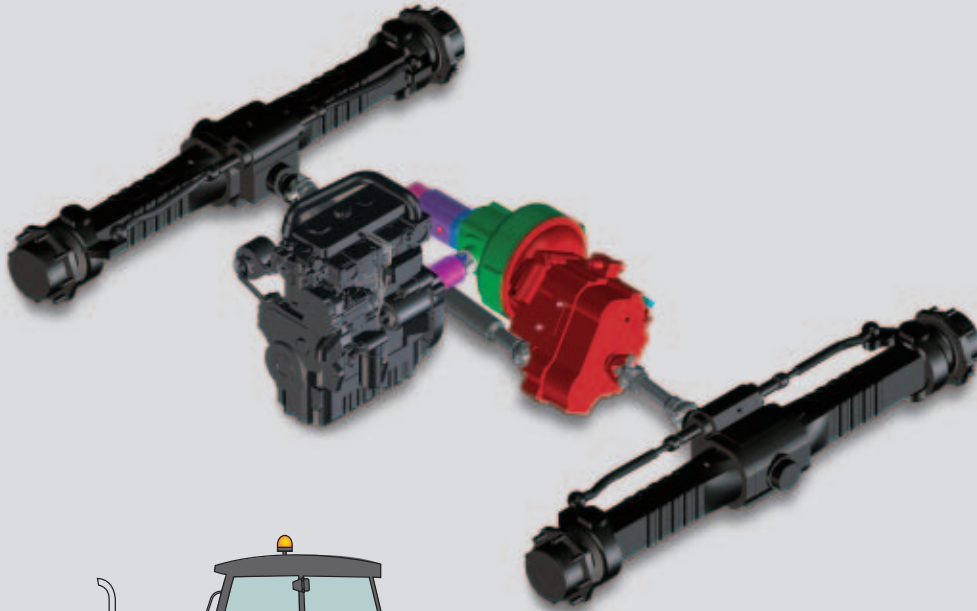


Heavy duty dynamic performances...



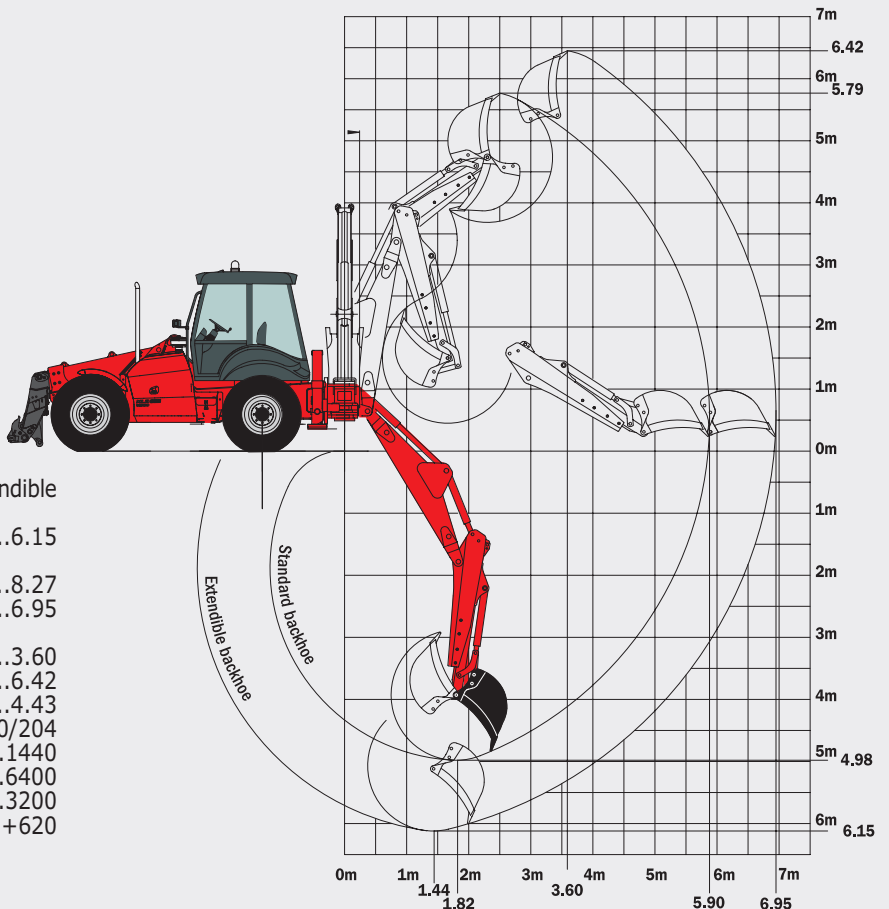
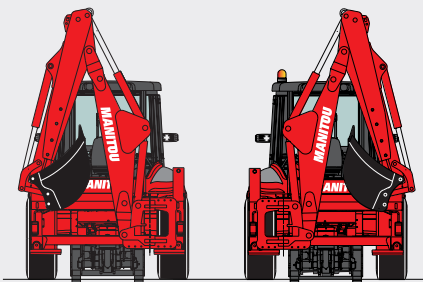
Stone clearing, earthmoving and all heavy duty applications have been taken into account in the design of the MANIHOE.

Engine, gear box and axles offer an optimum output with a **drawbar pull of 8200 daN**.



The 2770 mm wheel base enables a perfect longitudinal stability with a better contact of the 4 wheels with the ground.

This results in a **perfect traction** on uneven grounds and a major **decrease of floating** at high speed.



Backhoe type	standard	extendible
Max. Digging depth (m)	4.98	6.15
Max. reach (m)			
from rear axle (m)	7.19	8.27
from slew centre (m)	5.90	6.95
Reach at maximum height			
from slew centre (m)	2.50	3.60
Maxi working height (m)	5.79	6.42
Loading height (m)	3.80	4.43
Attachment rotation (°)	160/204	160/204
Lifting capacity (kg)	2100	1440
Tear out force with bucket (daN)	6400	6400
Tear out force with dipper (daN)	4620	3200
Side shift (from the axle)	+ 620	+620

Bucket specifications
Widthfrom 300 to 1500 mm

Spacious operator environment



Because comfort leads to more productivity, the MANIHOE cabin offers space and ergonomics. All windows can be opened to ensure ventilation within all the cabin environment.



Keeping servicing time down to increase availability

Side mounted engine, radiator and tanks procure an easy access to all servicing points.

The choice of world wide famous components for their longevity and reliability is a guaranty for minimal downtime and full concentration on your activity.



MLB 625 T



Lifting capacity.....2500 kg



Lifting height.....5.22 m



Engine
 Model.....Perkins Turbo 1104C44 T
 Power(ISO TR14396)
100 CV/74.5 kW à 2200 tr/mn
 Torque: (ISO TR14396) ...412 Nm à 1400 tr/mn
 Cooling.....water



Transmission
 Type.....Torque converter
 Gears Fwd/Rev4/4
 Fwd/Rev selector.....Electro-hydraulic
 Travelling speed.....25 km/h
 Limited slip differential on both axles



Brakes
 Type...Oil immersed multidisc brakes on both axles



Tyres
 Type.....440/70 R 24



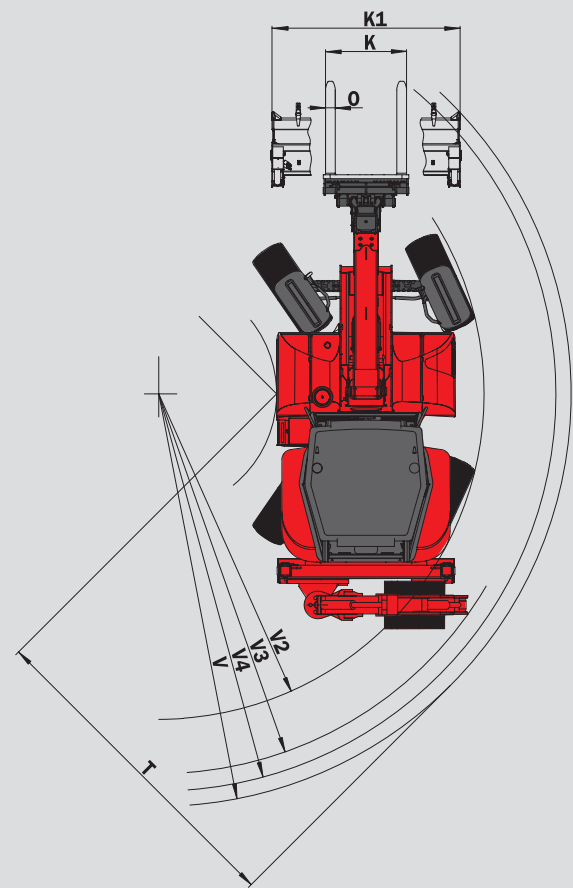
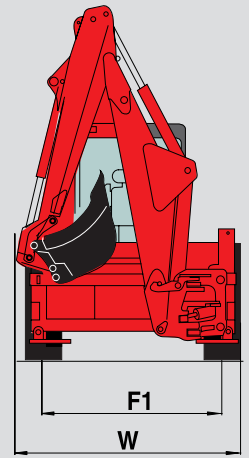
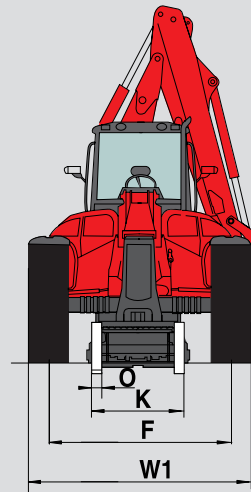
Hydraulic
 Number of pumps2
 Typegear
 Flow.....184 l/mn
 Pressure270 Bars
 Flow divider with priority to brakes and steering



Operating weight
 Operating weight with forks.....8860 kg

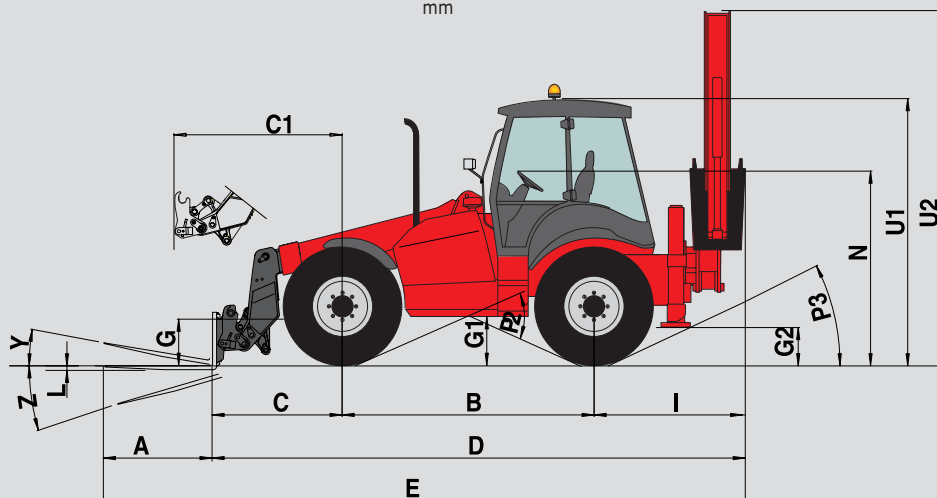


Capacities
 Cooling circuit.....21 l.
 Engine oil8.5 l.
 Diesel.....138.5 l.
 Hydraulic oil.....134 l.



MLB 625 T	
A	1200
B	2770
C	1416
C1	1350
D	5753
E	6953
F	1920
F1	1920
G	475
G1	430
G2	445
I	1567
K	1040
K1	2450
L	40
N	2105 a 2145
O	125
P2	42°
P3	21°
T	4224
U1	2915
U2	3965
V	5300
V2	4111
V3	4875
V4	5100
W	2493
W1	2372
Y	10°
Z	151°

mm





Manitou, material handling world leader

Inventor of the rough terrain forklift truck, Manitou offers today the most comprehensive range to meet all specific handling and personal lifting requirements :

Telescopic trucks

MANISCOPIIC

*Rough terrain
and semi industrial
masted trucks*

MANITOU

*Access
equipment*

MANIACCESS

*Truck mounted
forklifts*

MANITRANSIT

*Swinging arm
and articulated
wheeled loaders*

MANILOADER



A network of skilled professionals at your service

With a network of 500 service and parts centres in more than 100 countries, Manitou provides an efficient after-sales support based on the expertise of 2000 factory trained technicians.

This publication in no way constitutes an offer and the company reserves the right to alter specification without prior notice. The MANITOU models presented in this brochure can be supplied complete with optional equipment attachments.



MANITOU BF SA
B.P. 249 - 44158 Ancenis Cedex - France
Tél. : 33 2 40 09 10 11 / Export Department Fax : 33 2 40 09 10 97
www.manitou.com

700056EN

