

## INDUSTRIAL TRUCK-MOUNTED FORKLIFT

- Weight unladen : only 825 kg
- Nominal load capacity : 1200 kg at 1.80 m
- Integrated side - shift 200 mm



# TMD 12



**Load capacity** .....1 200 kg  
at 500 mm load center



**Mast**  
Standard lift height.....1800 mm  
Lifting speed laden.....0.16 m/sec



**Wheels**  
Front tyres .....3.00 - 4 ht  
Rear tyre.....18 x 7.8 16 PR LT  
Rear tyre pressure.....9 bar  
Number of drive wheel .....1



**Engine** .....KUBOTA Z482-E  
Capacity.....2 cyl. - 479 cm<sup>3</sup>  
Power (ISO/ DIN 70020).....13.2 HP/9.7 Kw



**Transmission**  
Type.....Hydrostatic  
Reversing shift .....électromagnétique  
Maximum travel speed.....10.3 km/h



**Capacities**  
Fuel tank.....13 l.  
Hydraulic oil .....26 l.



**Dimensions**  
Overall length (with forks).....2511 mm  
Overall width .....1589 mm  
Overall height (mast lowered).....1438 mm  
Turning radius (outside wheels).....2456 mm  
Rear Overhang .....935 mm  
Weight unladen.....825 kg



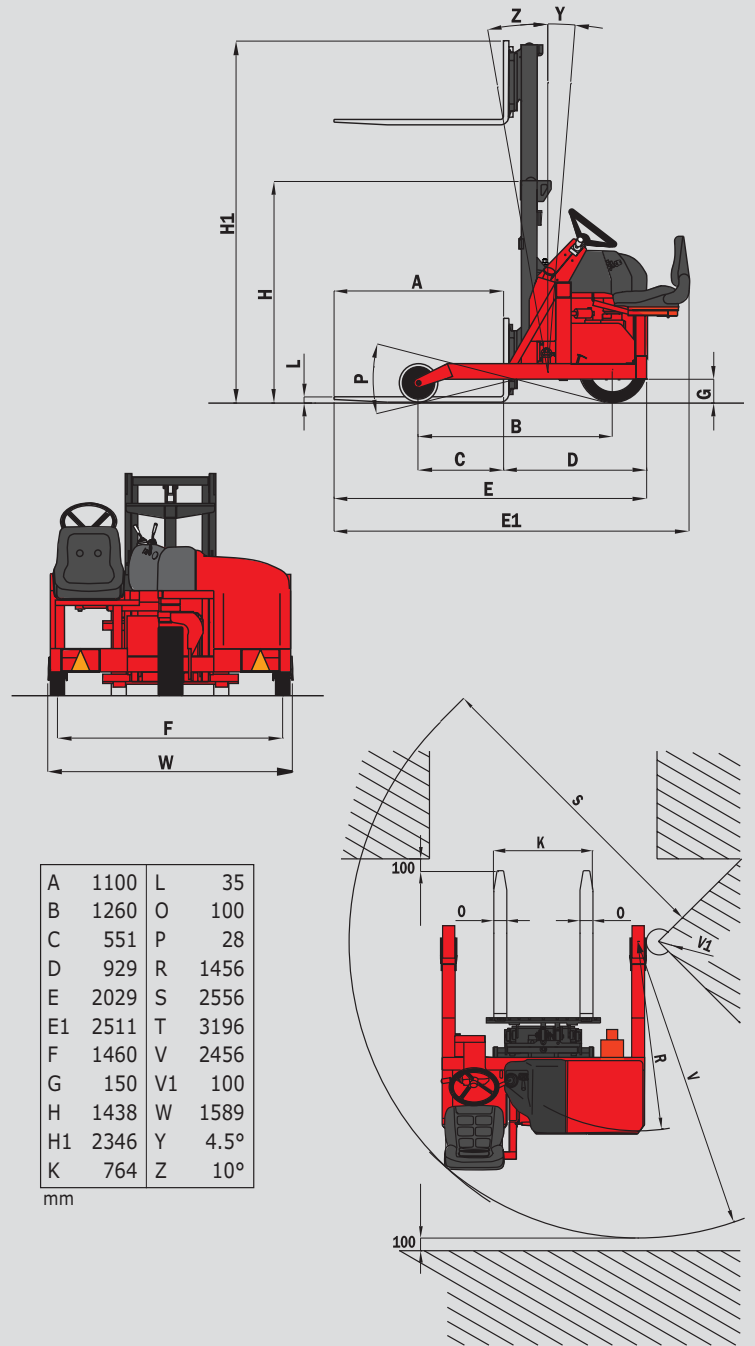
**Design and safety**  
Stability testings under EN 1726-1 C regulation  
Full visibility  
Closed frame for full protection of components  
Low cost and easy maintenance



**Hooking** (in option)  
Mounting kit with crash bar  
Fitting and load study  
Possible adaptation to any existing mounting kit

### Options

- Load backrest (880 x 476 mm)
- Hydraulic line for attachments
- Rotating beacon and road lights
- Light on reversing shift and working lights
- Slings ring
- Seat cover
- Security webbing



This publication in no way constitutes an offer and the company reserves the right to alter specification without prior notice.  
The MANITOU models presented in this brochure can be supplied complete with optional equipment attachments.  
IMPORTANT : All regulations relating to vehicles apply to vehicles equipped with truck-mounted forklifts.



MANITOU BF SA

B.P. 249 - 44158 Ancenis Cedex - France  
Tél. : 33 2 40 09 10 11 / Export Department Fax : 33 2 40 09 10 97  
www.manitou.com

700145EN

