



Manitou, material handling world leader

Inventor of the rough terrain forklift truck, Manitou offers today the most comprehensive range to meet all specific handling and personal lifting requirements :

Telescopic trucks

MANISCOPIC

Rough terrain
and semi industrial
masted trucks

MANITOU

Access
equipment

MANIACCESS

Compact telescopic
handler

Twiso

Truck mounted forklifts

MANITRANSIT

Backhoe/Loader
with telescopic boom

MANIHOE

Swinging arm
and articulated
wheeled loaders

MANILOADER

MANISCOPIC

MHT 860 L Turbo



- Capacity : 6000 kg
- Lift height : 8,10 m
- Engine : 132 cv
- 4 wheel steer - 4 wheel drive
- Hydrostatic transmission
- Frame levelling 10°/10°



A network of skilled professionals at your service

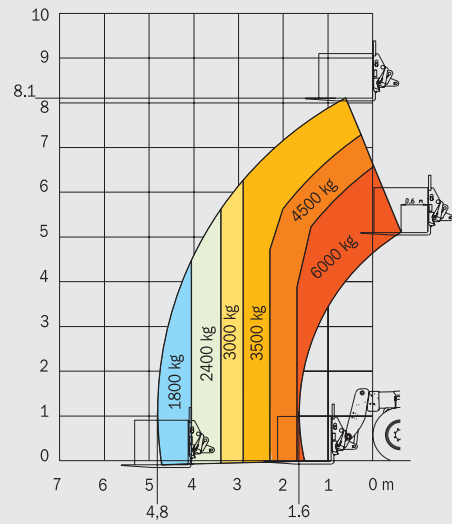
With a network of 500 service and parts centres in more than 100 countries, Manitou provides an efficient after-sales support based on the expertise of 2000 factory trained technicians.

This publication in no way constitutes an offer and the company reserves the right to alter specification without prior notice. The MANITOU models presented in this brochure can be supplied complete with optional equipment attachments.

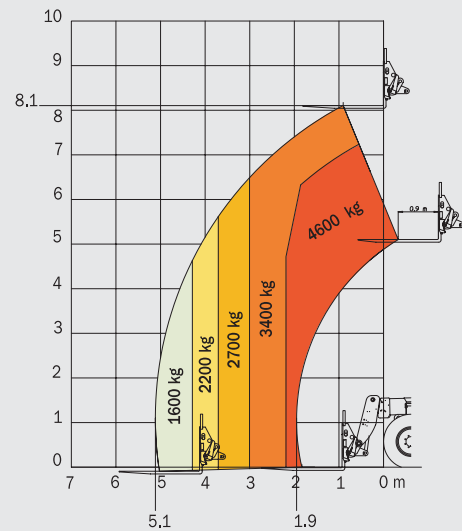


MHT 860 L TURBO

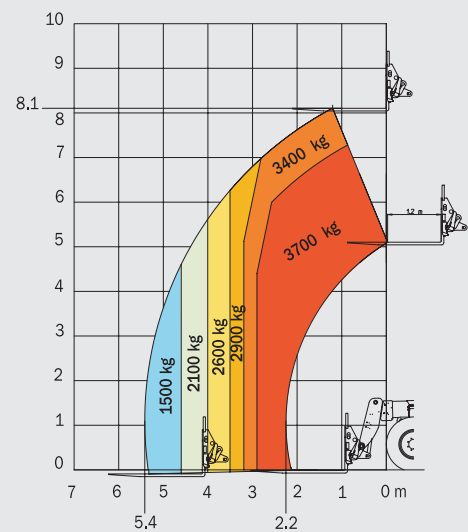
LOAD CENTRE AT 600 MM



LOAD CENTRE AT 900 MM



LOAD CENTRE AT 1200 MM



ENGINE

Diesel PERKINS 1104C-44 TA
 Capacity : 4 cylinders/4400 cm³
 Power (ISO/TR 14396): 132 HP/97 kw
 Rated speed 2200 r.p.m.
 Maximum torque at 1200 r.p.m. : 500 Nm
 Injection directe
 Fan : puller
 Cooling : water
 Anti-polluting standards : EUR2
 Battery : 12 Volts
 Capacity : 120 Ah

LIFT CAPACITY / HEIGHT

Load centre	at 600 mm	at 900 mm	at 1200 mm
Lift capacity :	6000 kg	4600 kg	3700 kg
Capacity at max. height :	3500 kg	3400 kg	3400 kg
Capacity at max. front reach :	1800 kg	1600 kg	1500 kg
Lift height :	8,10 m	8,10 m	8,10 m

Maximum front reach : 4,80 m 5,10 m 5,40 m

TRANSMISSION

Hydrostatic transmission
 Hydrostatic pump with variable flow and continuous speed regulation
 Reversing shift : electro-magnetic
 Differential central : NO
 2 forward and reverse speeds :
 Low speed : 10 km/h
 Fast speed : 35 km/h

HYDRAULICS

Main pump : Piston Load Sensing Haute pression
 Maximum pressure : 275 bar
 Capacity : 165 L/min

Steering pump
 Type : Load Sensing
 Maximum pressure : 170 bar

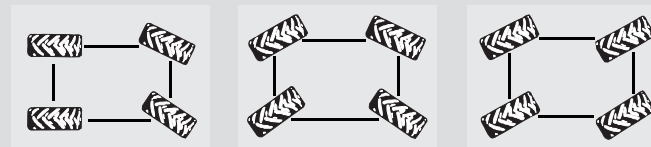
Drive Type : Proportional hydraulic joystick with 3 movement combination
 1- Lifting / Crowding
 2- Boom extension / Attachment
 3- Lifting / Boom extension

AXLES

HURTH "Heavy Duty", oil bath with epicycloidal reduction with 4 satellites Integrated steering cylinders with double action in high position

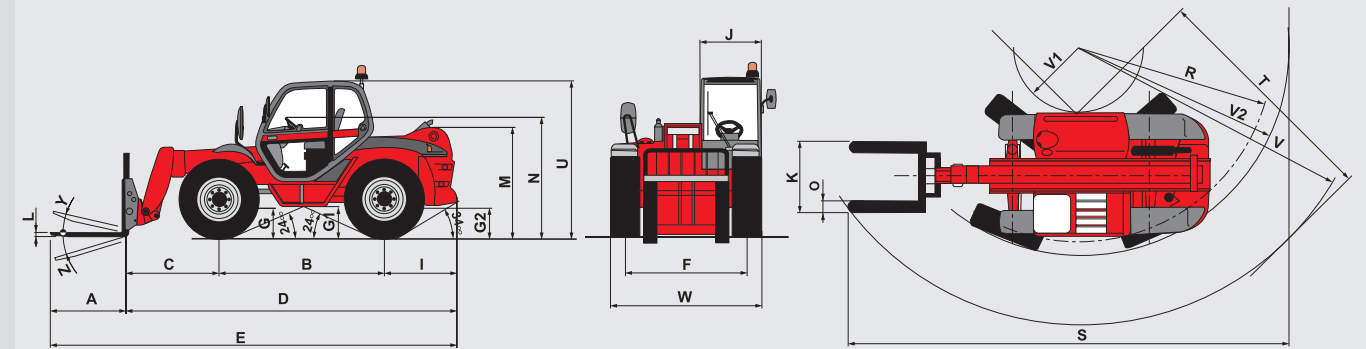
Frame levelling 10°/10° on front axle

3 steering modes:



2 wheel steering 4 wheel steering Crabsteer

DIAGRAMS



A	B	C	D	E	F	G	G1	G2	I	K	L	M	O	R	S	T	U	V	V1	V2	W	Y	Z
1200	2730	1540	5365	6565	1930	465	500	465	1095	1750	60	1725	200	3550	7950	4050	2450	4850	1130	3750	2400	11°	125°

BRAKES

Type : oil bath multidisc
 Drive type : hydraulic
 On axle : front + rear
 Parking brake on front and rear axles :
 Oil bath multidisc negative parking brake.

TYRES

Model : 18 - 22,5 16 PR
 Pressure : 5 bar
 Drawbar pull : 8800 daN

LIFTING/TELESCOPING MOTIONS

Unladen lifting : 10,2 sec
 Unladen lowering : 6 sec
 Unladen extending internal telescope : 6,4 sec
 Unladen retracting internal telescope : 9,2 sec

FORKS

Dimensions : 200 x 60 x 1200 mm
 Weight of forks : 560 kg

WEIGHT

Total weight without equipment : 10735 kg
 Total weight with equipment : 11515 kg
 Total weight laden with forks : 17515 kg
Load on axle with standard equipment (unladen)
 On front axle, boom retracted : 4500 kg
 On rear axle, boom retracted : 7015 kg
Load on axle with standard equipment (laden)
 On front axle, boom retracted : 15825 kg
 On rear axle, boom retracted : 1690 kg

CAPACITIES

Cooling circuit : 15 L
 Engine oil : 8,1 L
 Equipment hydraulic oil : 120 L
 Fuel tank : 118 L

STANDARD EQUIPMENTS

- ROPS-FOPS cabin
- GRAMMER seat
- Front and rear wipers
- Driving lights
- Rotating beacon
- Left rearview mirror
- Safety device with automatic lock of aggravating movements
- Safety valves on cylinders
- Heating

OPTIONS

- Air conditioning
- Comfort seat
- Roof wipers
- Cabin rearview mirror
- Tyres 445/70 R24

MHT 860 L TURBO