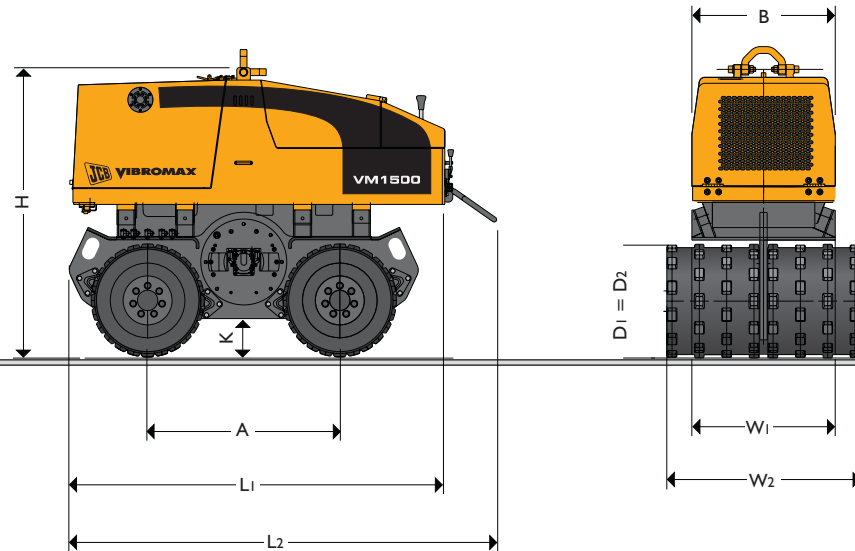




## JCB VIBROMAX – COMPACTION EQUIPMENT VIBRATORY TRENCH ROLLER VM1500



DRUM WIDTH: 850mm (33.5in) / 630mm (24.8in)  
OPERATING WEIGHT: 1500kg (3307lb)



### STATIC DIMENSIONS

Dimensions in millimetres (in)		
A	Wheelbase	850 (33.5)
B	Overall width	630 (24.8)
D1=D2	Drum diameter	500 (19.7)
H	Overall height	1280 (50.4)
K	Ground clearance	170 (6.7)
L1	Length	1650 (65)
L2	Total travel length roller width	1870 (73.6)
W1	Roller width	630 (24.8)
W2	Roller width	850 (33.5)

### OPERATING DATA

Operating weight (CECE)	kg (lb)	1500 (3307) / 1590 (3507)
Operating axle load front / rear	kg (lb)	750 (1654) / 750 (1654)
Exciter frequency	Hz	31
Nominal amplitude	mm (in)	2.4 (0.09)
Centrifugal force	kN (lbf)	84 (18880)
Compaction depth up to	cm (in)	80 (31.5)
Travel speed (forward/reverse) 1st gear max.	km/h (mph) / m/min (yd/min)	0-1.1 (0.07) / 0-18.3 (0-20)
Travel speed (forward/reverse) 2nd gear max.	km/h (mph) / m/min (yd/min)	0-2.5 (0-1.6) / 0-41.7 (0-45.6)
Gradeability up to with vibration / without vibration	degrees (%)	24 (45) / 29 (55)



## JCB VIBROMAX – COMPACTION EQUIPMENT VIBRATORY TRENCH ROLLER VM1500



### ENGINE

Three-cylinder, watercooled, four-stroke Diesel engine.

Make		Kubota
Model		D1005-BB-EC
Piston displacement	cm <sup>3</sup> (in <sup>3</sup> )	1000 (61)
Performance – DIN 6271	kW (hp)	16.8 (22.8)
Operating speed	rpm	3000
Starting device		Electric motor
Air cleaner		Dry cartridge
Fuel filter		Cartridge
Fuel consumption	l/h (US gal/h)	2.57 (0.7)

### PROPULSION

Hydrostatic, with variable displacement pump and two circuit drive to all four drums.

### EXCITER DRIVE

Hydrostatic drive.

### EXCITER

Single-shaft circular exciter (drive direction reversible).

### STEERING SYSTEM

Two circuit propulsion drive.

### BRAKING SYSTEM

**Service brake:** Hydrostatic propulsion system.

**Parking brake:** Hydraulically released multi-disk brake on rear drums.

### ELECTRICAL SYSTEM

Voltage	V	12
Battery capacity	Ah	66
Alternator	V(A)	14 (40 maximum)

### SERVICE CAPACITIES

Fuel	litres (US gal)	22 (5.8)
Engine oil (engine)	litres (US qt)	4 (4.2)
Engine oil (exciter)	litres (US qt)	0.5 (0.53)
Hydraulic oil	litres (US gal)	70 (18.5)

### INDICATORS AND SWITCHES

Battery charging current, hour meter, engine oil pressure, engine temperature, pre-heating.

### FEATURES

- Trench roller with high centrifugal force and compaction depth
- Powerful 3-cylinder, watercooled, diesel engine
- Automatic engine shut down for low oil pressure
- High torque drive motors on all four drums for unmatched gradeability
- Hydrostatic parking brake
- Wide opening enclosures for easy access to service and maintenance points
- Choice of drum widths
- Optional remote control for maximum safety in trench applications



JCB Vibromax Compaction Equipment GmbH, PO Box 230149, 40087 Düsseldorf, Germany, Erkrather Straße 343, 40231 Düsseldorf, Germany. Tel: +49 (0) 2 11 - 9 86 63. Fax: +49 (0) 2 11 - 9 86 65 55. Web: <http://www.jcbvibromax.de>

JCB Vibromax America Inc, 2823 Carlisle-Avenue, Racine, WI, 53404, USA. Tel: +1 262-637-8111. Fax: +1 262-637-8211.

JCB Vibromax Singapore, Representative Office, 72 Pasir Ris Heights, Singapore 519279. Tel: +65 6583 8297. Tel: +65 6583 8301.

JCB cares for the environment. This paper has been produced without the use of elemental chlorine chemicals in the bleaching process.

JCB reserves the right to change specifications without notice. Illustrations shown may include optional equipment and accessories. The JCB logo is a registered trademark of J C Bamford Excavators Ltd.



9999/5141 11/06 Issue 2

A Product  
of Hard Work