

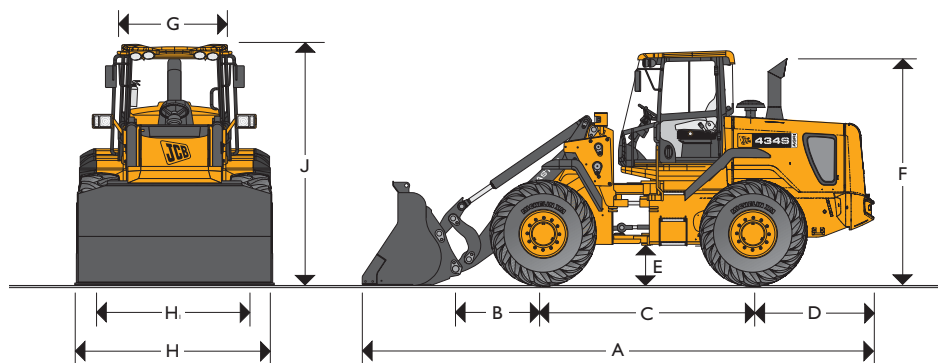


# JCB WHEELED LOADING SHOVEL | 434S AGRI

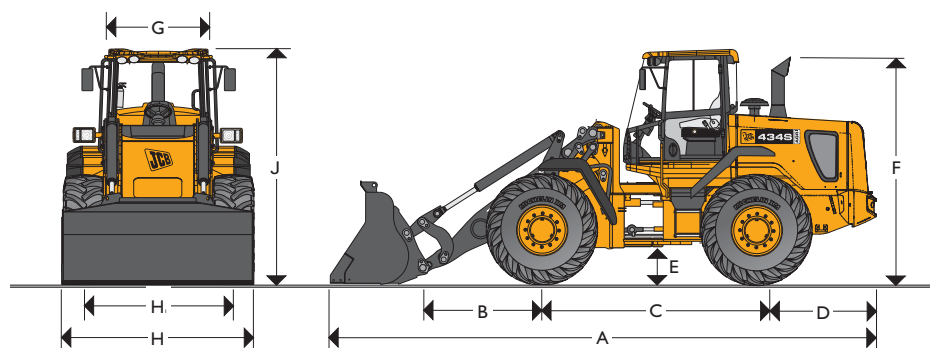


MAX. ENGINE POWER: 171kW (230hp)  
 MAX. OPERATING WEIGHT: 14210kg (31333lb)  
 MAX. LOADER CAPACITY: 2.7m<sup>3</sup> (3.5yd<sup>3</sup>)

## STATIC DIMENSIONS – Standard height arm



## STATIC DIMENSIONS – High lift arm



## STATIC DIMENSIONS – Standard height arm

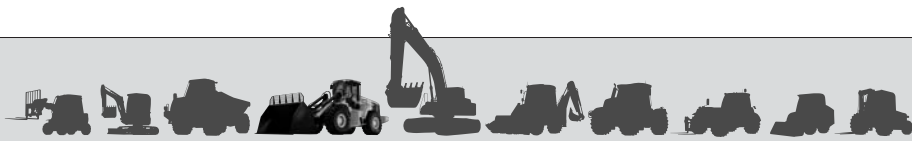
		mm (ft-in)
A	Overall length with standard bucket	6831 (22-5)
B	Axle to pivot pin	1096 (3-7)
C	Wheel base	3000 (9-10)
D	Axle to counterweight face	1816 (5-11)
E	Minimum ground clearance	494 (1-7)
F	Height over exhaust	3244 (10-8)
G	Width over cab	1400 (4-7)
H	Width over tyres	2740 (9-0)
Hi	Wheel track	2152 (7-0)
J	Height over cab	3387 (11-1)
	Pin height (maximum)	3958 (13-0)
	Overall operating height	5147 (16-11)
	Front axle weight	kg (lb) 5940 (13095)
	Rear axle weight	kg (lb) 7180 (15829)
	Total weight	kg (lb) 13120 (28924)
	Inside radius	2791 (9-2)
	Maximum radius	5790 (19-0)
	Articulation angle	degrees ±40°

## STATIC DIMENSIONS – High lift arm

		mm (ft-in)
A	Overall length with standard bucket	7244 (23-9)
B	Axle to pivot pin	1509 (4-11)
C	Wheel base	3000 (9-10)
D	Axle to counterweight face	1816 (5-11)
E	Minimum ground clearance	494 (1-7)
F	Height over exhaust	3244 (10-8)
G	Width over cab	1400 (4-7)
H	Width over tyres	2740 (9-0)
Hi	Wheel track	2152 (7-1)
J	Height over cab	3387 (11-1)
	Pin height (maximum)	4388 (14-5)
	Overall operating height	5577 (18-3)
	Front axle weight	kg (lb) 6235 (13746)
	Rear axle weight	kg (lb) 7155 (15774)
	Total weight	kg (lb) 13390 (29520)
	Inside radius	2791 (9-2)
	Maximum radius	5985 (19-8)
	Articulation angle	degrees ±40°

Data based on machine equipped with a quickhitch mounted 1.9m<sup>3</sup> bucket with bolt-on toeplates and 620/75 R26 MEGA XBIB tyres.

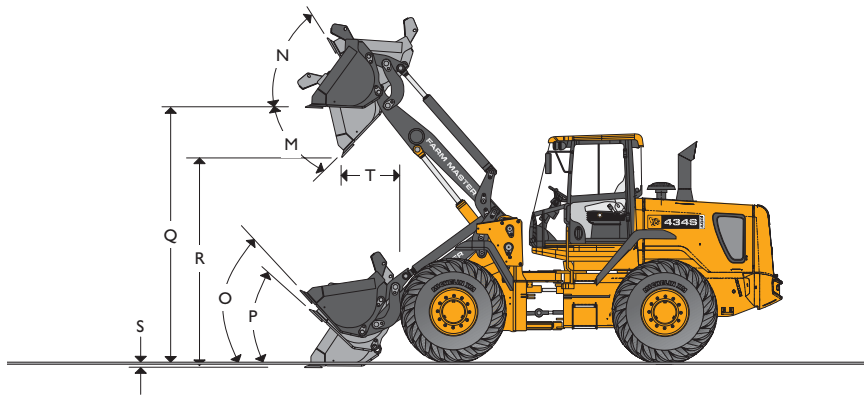
Data based on machine equipped with a quickhitch mounted 1.9m<sup>3</sup> bucket with bolt-on toeplates and 620/75 R26 MEGA XBIB tyres.



# JCB WHEELED LOADING SHOVEL | 434S AGRI



## LOADER DIMENSIONS – Standard height arm



## CHANGES TO OPERATING PERFORMANCE AND DIMENSIONS

Width Tyre size	Manufacturer	Type	Operating Weight kg (lb)	Tipping loads		Dimensions	
				Straight kg (lb)	Full Turn kg (lb)	Height mm	Width mm
750/75 R26	Michelin	X BIB	+272 (600)	+183 (403)	+161 (355)	+10	2958
620/75 R26	Goodyear	DT824	+148 (326)	+100 (220)	+88 (194)	-6	2767
750/65 R26	Goodyear	DT820	+384 (847)	+259 (571)	+228 (503)	+16	2994
Extra Counterweight	-	-	+380 (838)	+707 (1559)	+598 (1318)	0	0
Heavy Duty Counterweight	-	-	+890 (1962)	-	-	0	0

Assumes the machine is fitted with 1.9m<sup>3</sup> shovel with toeplates and Michelin 20.5R25 XHA (L3) tyres.

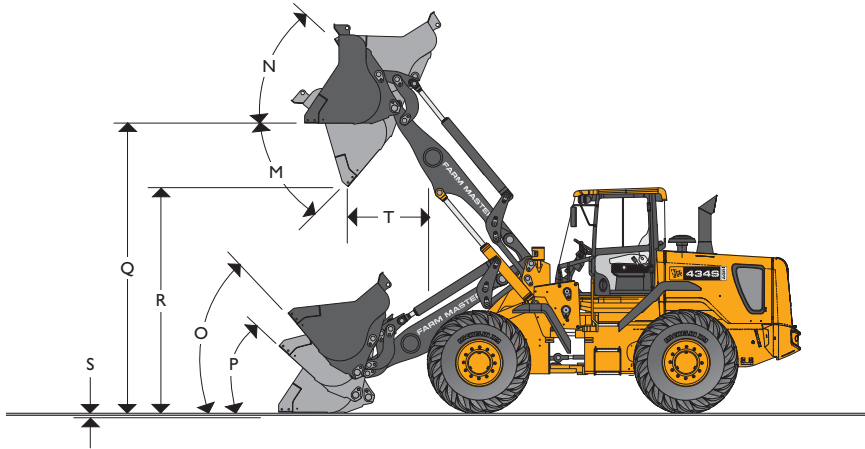
	Direct		Direct		Direct		Quickhitch		Quickhitch		Quickhitch		
	General Purpose	General Purpose	General Purpose	General Purpose	General Purpose	General Purpose	General Purpose	General Purpose	General Purpose	General Purpose	General Purpose	General Purpose	
Bucket mounting	Direct	Direct	Direct	Direct	Direct	Direct	Quickhitch	Quickhitch	Quickhitch	Quickhitch	Quickhitch	Quickhitch	
Bucket type	General Purpose	General Purpose	General Purpose	General Purpose	General Purpose	General Purpose	General Purpose	General Purpose	General Purpose	General Purpose	General Purpose	General Purpose	
Bucket equipment	Tipped teeth	Tipped teeth	Reversible t/plate	Reversible t/plate	Reversible t/plate	Reversible t/plate	Tipped teeth	Tipped teeth	Reversible t/plate	Reversible t/plate	Reversible t/plate	Reversible t/plate	
Bucket capacity (SAE heaped)	m <sup>3</sup> (yd <sup>3</sup> )	1.8 (2.4)	2.0 (2.6)	1.9 (2.5)	2.1 (2.8)	2.4 (3.1)	2.7 (3.5)	1.8 (2.4)	2.0 (2.6)	1.9 (2.5)	2.1 (2.8)	2.4 (3.1)	2.7 (3.5)
Bucket capacity (struck)	m <sup>3</sup> (yd <sup>3</sup> )	1.556 (2.035)	1.765 (2.309)	1.616 (2.114)	1.830 (2.394)	2.057 (2.691)	2.346 (3.068)	1.554 (2.033)	1.749 (2.288)	1.594 (2.085)	1.787 (2.337)	2.057 (2.691)	2.346 (3.068)
Bucket width	mm (ft-in)	2550 (8-4)	2550 (8-4)	2550 (8-4)	2550 (8-4)	2700 (8-10)	2700 (8-10)	2550 (8-4)	2550 (8-4)	2550 (8-4)	2550 (8-4)	2700 (8-10)	2700 (8-10)
Bucket weight	kg (lb)	810 (1786)	850 (1875)	810 (1786)	850 (1875)	1136 (2500)	1211 (2664)	800 (1765)	850 (1875)	800 (1765)	850 (1875)	1136 (2500)	1211 (2664)
Maximum material density	kg/m <sup>3</sup> (lb/yd <sup>3</sup> )	2332 (3931)	2068 (3486)	2209 (3723)	1969 (3319)	1655 (2790)	1439 (2426)	2125 (3582)	1884 (3176)	2013 (3393)	1794 (3024)	1508 (2542)	1311 (2210)
Tipping load straight	kg (lb)	9819 (21647)	9797 (21599)	9819 (21647)	9797 (21599)	9334 (20578)	9147 (20166)	8983 (19804)	8859 (19531)	8983 (19804)	8859 (19531)	8554 (18858)	8384 (18483)
Tipping load full turn	kg (lb)	8396 (18510)	8271 (18234)	8396 (18510)	8271 (18234)	7944 (17514)	7774 (17139)	7650 (16865)	7537 (16616)	7650 (16865)	7537 (16616)	7243 (15968)	7085 (15619)
Payload	kg (lb)	4198 (9254)	4136 (9118)	4198 (9254)	4136 (9118)	3972 (8757)	3887 (8569)	3825 (8433)	3768 (8307)	3825 (8433)	3768 (8307)	3621 (7983)	3542 (7809)
Maximum break out force	kN (lbf)	138 (31000)	128 (28800)	138 (31000)	128 (28800)	123 (27620)	115 (25820)	121 (27270)	113 (25490)	121 (27270)	113 (25490)	106 (23800)	99 (22240)
<b>M</b> Dump angle maximum	degrees	49°	49°	49°	49°	49°	49°	49°	49°	49°	49°	49°	49°
<b>N</b> Roll back angle at full height	degrees	58°	58°	58°	58°	58°	58°	58°	58°	58°	58°	58°	58°
<b>O</b> Roll back at carry	degrees	48°	48°	48°	48°	48°	48°	48°	48°	48°	48°	48°	48°
<b>P</b> Roll back at ground level	degrees	43°	43°	43°	43°	43°	43°	43°	43°	43°	43°	43°	43°
<b>Q</b> Load over height	mm (ft-in)	3627 (11-11)	3627 (11-11)	3612 (11-10)	3612 (11-10)	3610 (11-10)	3610 (11-10)	3627 (11-11)	3627 (11-11)	3612 (11-10)	3612 (11-10)	3610 (11-10)	3610 (11-10)
<b>R</b> Dump height (45° dump)	mm (ft-in)	2831 (9-3)	2781 (9-1)	2944 (9-8)	2896 (9-6)	2860 (9-4)	2796 (9-2)	2711 (8-11)	2661 (8-9)	2848 (9-4)	2775 (9-0)	2739 (9-0)	2676 (8-9)
<b>S</b> Dig depth	mm (ft-in)	32 (0-1.25)	32 (0-1.25)	47 (0-4.5)	47 (0-4.5)	47 (0-4.5)	47 (0-4.5)	32 (0-1.25)	32 (0-1.25)	47 (0-4.5)	47 (0-4.5)	47 (0-4.5)	47 (0-4.5)
<b>T</b> Reach at dump height	mm (ft-in)	1081 (3-6)	1131 (3-8)	946 (3-1)	996 (3-3)	1028 (3-4)	1092 (3-7)	1201 (3-11)	1250 (4-1)	1052 (3-5)	1118 (3-8)	1149 (3-9)	1213 (4-0)
Reach maximum (45° dump)	mm (ft-in)	1828 (6-0)	1878 (6-2)	1693 (5-7)	1743 (5-8)	1775 (5-10)	1839 (6-0)	1948 (6-5)	1997 (6-6)	1800 (5-11)	1865 (6-1)	1896 (6-3)	1960 (6-5)
Operating weight (includes 80kg operator and full fuel tank)	kg (lb)	12700 (27999)	12740 (28087)	12700 (27999)	12740 (28087)	13025 (28715)	13100 (28881)	12980 (28616)	13030 (28726)	12980 (28616)	13030 (28726)	13316 (29356)	13390 (29520)



# JCB WHEELED LOADING SHOVEL | 434S AGRI



## LOADER DIMENSIONS – High lift arm



## CHANGES TO OPERATING PERFORMANCE AND DIMENSIONS

Width	Tyre size	Manufacturer	Type	Operating Weight kg (lb)	Tipping loads		Dimensions	
					Straight kg (lb)	Full Turn kg (lb)	Height mm	Width mm
750/75 R26	Michelin	X BIB	+272 (600)	+183 (403)	+161 (355)	+10	2958	
620/75 R26	Goodyear	DT824	+148 (326)	+100 (220)	+88 (194)	-6	2767	
750/65 R26	Goodyear	DT820	+384 (847)	+259 (571)	+228 (503)	+16	2994	
Extra Counterweight	-	-	+380 (838)	+707 (1559)	+598 (1318)	0	0	
Heavy Duty Counterweight	-	-	+890 (1962)	-	-	0	0	

Assumes the machine is fitted with 1.9m<sup>3</sup> shovel with toeplates and Michelin 20.5R25 XHA (L3) tyres.

	General Purpose		Reversible t/plate		Quickhitch		Quickhitch		Quickhitch		Quickhitch		
	Direct	Direct	Direct	Direct	Direct	Direct	Quickhitch	Quickhitch	Quickhitch	Quickhitch	Quickhitch	Quickhitch	
Bucket mounting	Direct	Direct	Direct	Direct	Direct	Direct	Quickhitch	Quickhitch	Quickhitch	Quickhitch	Quickhitch	Quickhitch	
Bucket type	General Purpose	General Purpose	General Purpose	General Purpose	General Purpose	General Purpose	General Purpose	General Purpose	General Purpose	General Purpose	General Purpose	General Purpose	
Bucket equipment	Tipped teeth	Tipped teeth	Reversible t/plate	Reversible t/plate	Reversible t/plate	Reversible t/plate	Tipped teeth	Tipped teeth	Reversible t/plate	Reversible t/plate	Reversible t/plate	Reversible t/plate	
Bucket capacity (SAE heaped)	m <sup>3</sup> (yd <sup>3</sup> )	1.8 (2.4)	2.0 (2.6)	1.9 (2.5)	2.1 (2.8)	2.4 (3.1)	2.7 (3.5)	1.8 (2.4)	2.0 (2.6)	1.9 (2.5)	2.1 (2.8)	2.4 (3.1)	2.7 (3.5)
Bucket capacity (struck)	m <sup>3</sup> (yd <sup>3</sup> )	1.556 (2.035)	1.765 (2.309)	1.616 (2.114)	1.830 (2.394)	2.057 (2.691)	2.346 (3.068)	1.554 (2.033)	1.749 (2.288)	1.594 (2.085)	1.787 (2.337)	2.057 (2.691)	2.346 (3.068)
Bucket width	mm (ft-in)	2550 (8-4)	2550 (8-4)	2550 (8-4)	2550 (8-4)	2700 (8-10)	2700 (8-10)	2550 (8-4)	2550 (8-4)	2550 (8-4)	2550 (8-4)	2700 (8-10)	2700 (8-10)
Bucket weight	kg (lb)	810 (1786)	850 (1875)	810 (1786)	850 (1875)	1136 (2500)	1211 (2664)	800 (1765)	850 (1875)	800 (1765)	850 (1875)	1136 (2500)	1211 (2664)
Maximum material density	kg/m <sup>3</sup> (lb/yd <sup>3</sup> )	1947 (3282)	1726 (2909)	1844 (3108)	1644 (2771)	1381 (2328)	1201 (2024)	1774 (2990)	1573 (2651)	1681 (2833)	1498 (2525)	1260 (2124)	1095 (1846)
Tipping load straight	kg (lb)	8199 (18076)	8180 (18033)	8199 (18076)	8180 (18033)	7794 (17183)	7638 (16839)	7501 (16537)	7397 (16308)	7501 (16537)	7397 (16308)	7142 (15754)	7000 (15432)
Tipping load full turn	kg (lb)	7010 (15454)	6906 (15225)	7010 (15454)	6906 (15225)	6633 (14623)	6491 (14310)	6388 (14083)	6293 (13874)	6388 (14083)	6293 (13874)	6048 (13334)	5916 (13043)
Payload	kg (lb)	3505 (7727)	3453 (7613)	3505 (7727)	3453 (7613)	3316 (7311)	3245 (7154)	3194 (7042)	3146 (6936)	3194 (7042)	3145 (6936)	3024 (6667)	2958 (6521)
Maximum break out force	kN (lbf)	138 (31000)	128 (28800)	138 (31000)	128 (28800)	123 (27620)	115 (25820)	121 (27270)	113 (25490)	121 (27270)	113 (25490)	106 (23800)	99 (22240)
<b>M</b> Dump angle maximum	degrees	45°	45°	45°	45°	45°	45°	45°	45°	45°	45°	45°	45°
<b>N</b> Roll back angle at full height	degrees	58°	58°	58°	58°	58°	58°	58°	58°	58°	58°	58°	58°
<b>O</b> Roll back at carry	degrees	50°	50°	50°	50°	50°	50°	50°	50°	50°	50°	50°	50°
<b>P</b> Roll back at ground level	degrees	48°	48°	48°	48°	48°	48°	48°	48°	48°	48°	48°	48°
<b>Q</b> Load over height	mm (ft-in)	4057 (13-4)	4057 (13-4)	4042 (13-3)	4042 (13-3)	4040 (13-3)	4040 (13-3)	4057 (13-4)	4057 (13-4)	4042 (13-3)	4042 (13-3)	4040 (13-3)	4040 (13-3)
<b>R</b> Dump height (45° dump)	mm (ft-in)	3261 (10-8)	3211 (10-6)	3374 (11-1)	3326 (10-11)	3290 (10-10)	3226 (10-7)	3141 (10-4)	3091 (10-2)	3278 (10-9)	3205 (10-6)	3169 (10-4)	3106 (10-2)
<b>S</b> Dig depth	mm (ft-in)	95 (0-4)	95 (0-4)	110 (0-4)	110 (0-4)	110 (0-4)	110 (0-4)	95 (0-4)	95 (0-4)	110 (0-4)	110 (0-4)	110 (0-4)	110 (0-4)
<b>T</b> Reach at dump height	mm (ft-in)	1243 (4-1)	1293 (4-3)	1108 (3-8)	1158 (3-10)	1190 (3-11)	1254 (4-1)	1363 (4-6)	1412 (4-8)	1214 (4-0)	1280 (4-2)	1311 (4-3)	1375 (4-6)
Reach maximum (45° dump)	mm (ft-in)	2176 (7-2)	2226 (7-4)	2041 (6-8)	2091 (6-10)	2123 (7-0)	2187 (7-2)	2296 (7-6)	2345 (7-8)	2148 (7-0)	2213 (7-3)	2244 (7-4)	2308 (7-4)
Operating weight (includes 80kg operator and full fuel tank)	kg (lb)	12970 (28594)	13010 (28682)	12970 (28594)	13010 (28682)	13925 (30699)	13370 (29476)	13250 (29211)	13300 (29321)	13250 (29211)	13300 (29321)	13586 (29952)	13660 (30115)



# JCB WHEELED LOADING SHOVEL | 434S AGRI



## LOADER

Widely spaced four ram geometry provides the combination of excellent visibility with high bucket torque characteristics throughout the working arc. The pin, bush and sealing design on all pivot points provide extended maintenance intervals.

## ENGINE

6-cylinder wastegated turbo-charged, liquid cooled, common rail injection diesel. Air-to-air charge-air cooling ensure low emissions and provides minimum fuel consumption. A remote sump oil drain facility simplifies servicing.

Type	4 stroke direct injection	
Model	QSB6.7	
Capacity	litres (in <sup>3</sup> )	6.7 (409)
Bore	mm (in)	104 (4.1)
Stroke	mm (in)	132 (5.2)
Aspiration	Turbo charged	
Cylinders	6	
Max gross power to SAE J1995/ISO 14396	kW (hp) @ 2000rpm	172 (230)
Rated gross power to SAE J1995/ISO 14396	kW (hp) @ 2200rpm	164 (220)
Nett power to SAE J1349/EEC 80/1269	kW (hp) @ 2200rpm	154 (206)
Max torque	Nm (lb.ft) @ 1600rpm	949 (700)

### Emissions:-

Relevant standards EUNR MM Tier 3

(Complies with EU/EPA "Off Highway" Construction Equipment Regulation Stage 2).

## TRANSMISSION

4 wheel drive, automatic smooth shift transmission electrically operated selector and gear change incorporating a speed inhibitor and modulation for smooth, responsive on-the-move direction and ratio changes. Single stage integral torque converter 6 forward and 3 reverse gears.

Type	Smooth shift powershift	
Make & model	ZF 6WG 210	
Torque converter stall ratio	3.060 : 1	
1st gear	kph (mph)	5.9 (3.7)
2nd gear	kph (mph)	9.0 (5.6)
3rd gear	kph (mph)	14.6 (9.1)
4th gear	kph (mph)	21.6 (13.4)
5th gear	kph (mph)	32.8 (20.4)
6th gear	kph (mph)	40 (24.9)

## AXLES

Type	Epicyclic hub reduction	
Make & model	Graziano PR 12 Front & Rear	
Overall axle ratio	21.098 : 1	
Rear axle oscillation	16°	

## STEERING

Priority steer hydraulic system with emergency steering. Piston pump meters flow through steer valve @ 190 bar (2870 lb/in<sup>2</sup>) to provide smooth low effort response. Steering angle  $\pm 40^\circ$ . Steer rams located high in the chassis fabrication to provide protection from damage. Adjustable steering column.

## BRAKES

Hydraulic power braking on all wheels, operating pressure 80 bar (1160psi). Dual circuit with accumulator back-up provide maximum safety under all conditions. Out-board mounted, oil immersed, multi-plate disc brakes with organic brake linings are environmentally acceptable. Parking brake, mechanical disc type operating on transmission output shaft.

## TYRES

A variety of tyre options are available including:

20.5-25 SGL (L2). 20.5R25 XLTA (L2). 20.5R25 XHA (L3). Michelin 620/75 R26. Michelin 750/65 R26.

Goodyear DT822 750/65 R26.

## LOADER HYDRAULICS

Twin variable displacement piston pumps feed a "load sensing" system providing a fuel efficient and responsive distribution of power as required. Main services are servo actuated from a single lever (joystick) loader control. Auxiliary circuits controlled via additional lever or joystick mounted electrical buttons. Accumulator back-up is available to control loader in the event of loss of pump pressure.

Pump type	Twin variable displacement piston pumps				
Pump 1 max. flow	l/min (UK gal/min)	132 (29)			
Pump 1 max. pressure	bar (lb/in <sup>2</sup> )	250 (3625)			
Pump 2 max. flow	l/min (UK gal/min)	132 (29)			
Pmp 2 max. pressure	bar (lb/in <sup>2</sup> )	160 (2320)			
<b>Hydraulic cycle times at full engine revs</b>		<b>seconds</b>			
Arms raise (full bucket)		4.4			
Bucket dump (full bucket)		1.0			
Arms lower (empty bucket)		2.7			
Total cycle		8.1			
<b>Ram dimensions</b>					
	<b>Bore</b>	<b>Rod</b>	<b>Closed centres</b>	<b>Stroke</b>	
Bucket ram x2	mm (in)	100 (3.9)	60 (2.4)	1600 (63.0)	1055 (41.5)
Lift ram x2	mm (in)	110 (4.3)	60 (2.4)	1260 (49.6)	820 (32.3)
Steer ram x2	mm (in)	80 (3.1)	50 (2.0)	621 (24.4)	312 (12.3)



# JCB WHEELED LOADING SHOVEL | 434S AGRI



## ELECTRICAL SYSTEM

24 volt negative ground system, 70 Amp alternator with 2 x 126 Amp hour low maintenance batteries. Isolator located in rear of machine. Ignition key start/stop and pre-heat cold start. Primary fuse box. Other electrical equipment includes quartz halogen, twin filament working lights, front/rear wash/wipe, heated rear screen, full road going lights, clock, gauge and warning light monitoring. Connectors to IP67 standard.

System voltage	Volt	24
Alternator output	Amp hour	70
Battery capacity	Amp hour	2 x 145

## CAB

Resiliently mounted ROPS/FOPS structure (tested in accordance with EN13510 : 2000/EN13627 : 2000 (Level 2)). De - luxe operator environment combines ergonomically located controls with a high level of appointment and low internal noise levels. Entry/exit is via large rear hinged door and anti - slip steps. Excellent forward visibility is provided by a 3 section curved, laminated windscreen and full glazing below waistline. Extensive instrumentation includes electronic monitoring panel and display (EMS). Heating / ventilation provides balanced and filtered air distribution throughout the cab via a powerful 8 kW capacity heater. The unitary construction allows easy sealing and prevents ingress of dust. A transmission lock on the selector prevents inadvertent engagement and the loader controls can be isolated for safe road travel.

Exterior power level : 73 Lp (A)  
106 Lw (A)

## ATTACHMENTS

An extensive range of attachments including pallet forks, crane jibs, high dumping buckets and timber grapples are available to fit directly or via the JCB quickhitch mounting.

## SERVICE FILL CAPACITIES

	litres (UK gal)
Hydraulic system	210 (46.3)
Fuel tank	230 (50.7)
Engine oil sump	17.5 (3.9)
Transmission oil system	32.5 (7.1)
Axle oil (front)	39 (8.6)
Axle oil (rear)	39 (8.6)
Engine coolant system	35 (7.7)

## STANDARD EQUIPMENT

**Loader:** Bucket reset mechanism, loader arm kickout mechanism, loader control isolator, single lever servo control, high torque true parallel lift geometry combines with excellent visibility between the arms.

**Engine:** Air cleaner – 2 stage dry type – cyclonic with primary and safety elements, black silencer and exhaust stack, sedimenter, twin bowl fuel filters, fan guards.

**Transmission:** Single lever shift control, speed inhibitor, neutral start, disconnect on footbrake and loader lever, disconnect isolator switch, direction changes and kickdown on gear selector and loader control lever.

**Axles:** Epicyclic wheel hub reduction, fixed front, oscillating rear.

**Brakes:** Multi-plate wet disc brakes, organic linings, dual circuit hydraulic power assisted. Parking disc brake on transmission output shaft.

**Hydraulics:** Piston pumps with priority steer, emergency steer back-up, 2 spool loader circuit with accumulator support, 3rd spool auxiliary hydraulic circuit as standard. Hydraulic tank located in the rear chassis fabrication.

**Steering:** Adjustable steering column, "soft feel" steering wheel 5 turns lock to lock, resilient stops on max lock.

**Cab:** ROPS/FOPS safety structure, cigar lighter, ashtray, interior reading light, centre mounted master warning light. Electronic monitoring panel with LCD message display. Two speed intermittent front windscreen wipe/wash and self park, single speed rear windscreen wipe/wash and self park. 3 speed heater/demisting with replaceable air filter, LH and RH opening windows, sun visor, sun blind, internal rear view mirror, heated external mirrors, adjustable suspension seat with belt and headrest, operator storage facilities, laminated windscreen, heated rear screen, loader control isolator, horn, fire extinguisher.

**Electrical:** Road lights front and rear, parking lights, front and rear working lights, reverse alarm and light, rear fog light, battery isolator, radio wiring and speakers, 70 amp alternator, rotating beacon.

**Bodywork:** Front and rear fenders, side and rear access panels, flexible bottom step, full width rear counterweight, recovery hitch, lifting lugs.

## OPTIONAL EQUIPMENT

Auxiliary 4th spool hydraulic service, air conditioning, limited slip differentials front/rear axles, additional counterweight, oil bath air cleaner, turbo 2 pre-cleaner, visibowl pre-cleaner, tooth guard, replaceable bucket wearparts, epoxy coated radiator/coolers, stainless steel brake pipes, Smooth ride system (SRS), hydraulic quickhitch, full rear fenders, reversing camera (colour), auto greasing system, auxiliary control buttons on joystick, spark arrester, 24V to 12V in cab converter, cab screen guards, air suspension seat, front chassis apron mat.



## A GLOBAL COMMITMENT TO QUALITY

JCB's total commitment to its products and customers has helped it grow from a one-man business into Britain's largest privately owned manufacturer of backhoe loaders, crawler excavators, wheeled excavators, telescopic handlers, wheeled loaders, dump trucks, rough terrain fork lifts, industrial fork lifts, mini/midi excavators, skid steer loaders and tractors.

By making constant and massive investments in the latest production technology, the JCB factories have become some of the most advanced in Europe.

By leading the field in innovative research and design, extensive testing and stringent quality control, JCB machines have become renowned all over the world for performance, value and reliability.

And with a global sales and service network of over 400 distributors and agents, the company exports over 70% of its production to all five continents.

Through setting the standards by which others are judged, JCB has become one of Britain's most impressive success stories.

