

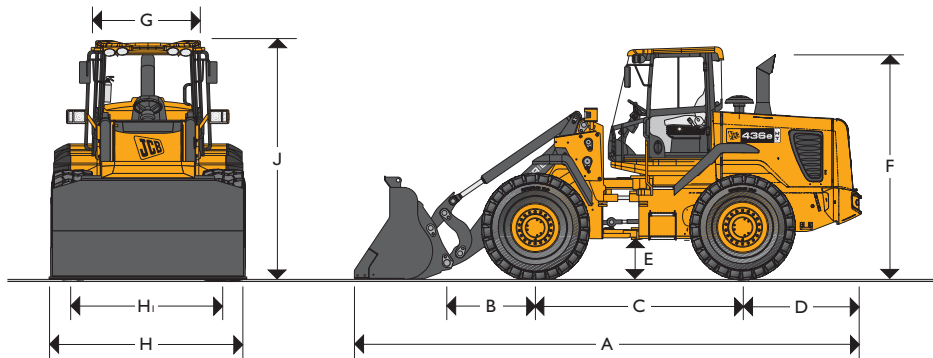


# JCB WHEELED LOADING SHOVEL | 436e HT

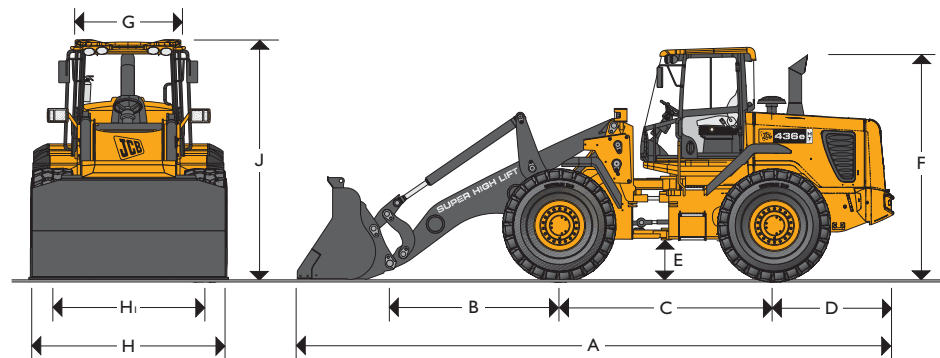


**MAX. ENGINE POWER:** 133kW (178hp)  
**MAX. OPERATING WEIGHT:** 16897kg (37251lb)  
**MAX. LOADER CAPACITY:** 2.7m<sup>3</sup> (3.5yd<sup>3</sup>)

## STATIC DIMENSIONS – Standard height arm



## STATIC DIMENSIONS – Hi-Lift & Super high lift arm



## STATIC DIMENSIONS – Standard height arm

		HT
A	Overall length	mm (ft-in) 6926 (22-9)
B	Axle to pivot pin	mm (ft-in) 1143 (3-9)
C	Wheel base	mm (ft-in) 3000 (9-10)
D	Axle to counterweight face	mm (ft-in) 1816 (5-11)
E	Minimum ground clearance	mm (ft-in) 459 (1-6)
F	Height over exhaust	mm (ft-in) 3192 (10-6)
G	Width over cab	mm (ft-in) 1400 (4-7)
H	Width over tyres	mm (ft-in) 2597 (8-6)
Hi	Wheel track	mm (ft-in) 2070 (6-9)
J	Height over cab	mm (ft-in) 3335 (10-11)
	Pin height (maximum)	mm (ft-in) 3996 (13-1)
	Overall operating height	mm (ft-in) 5305 (17-4)
	Front axle weight	kg (lb) 6013 (13256)
	Rear axle weight	kg (lb) 8490 (18717)
	Total weight	kg (lb) 14503 (31974)
	Inside radius	mm (ft-in) 2825 (9-3)
	Maximum radius	mm (ft-in) 5860 (19-3)
	Articulation angle	degrees ± 40°

## STATIC DIMENSIONS – Hi-Lift & Super high lift arm

		Hi-Lift	SHL
A	Overall length	mm (ft-in) 7282 (23-11)	7726 (25-4)
B	Axle to pivot pin	mm (ft-in) 1499 (4-11)	2366 (7-9)
C	Wheel base	mm (ft-in) 3000 (9-10)	3000 (9-10)
D	Axle to counterweight face	mm (ft-in) 1816 (5-11)	1816 (5-11)
E	Minimum ground clearance	mm (ft-in) 459 (1-6)	459 (1-6)
F	Height over exhaust	mm (ft-in) 3192 (10-10)	3192 (10-10)
G	Width over cab	mm (ft-in) 1400 (4-7)	1400 (4-7)
H	Width over tyres	mm (ft-in) 2597 (8-6)	2597 (8-6)
Hi	Wheel track	mm (ft-in) 2070 (6-9)	2070 (6-9)
J	Height over cab	mm (ft-in) 3335 (10-11)	3335 (10-11)
	Pin height (maximum)	mm (ft-in) 4650 (15-3)	5213 (17-1)
	Overall operating height	mm (ft-in) 5959 (19-6)	6522 (21-5)
	Front axle weight	kg (lb) 7133 (15726)	7968 (17566)
	Rear axle weight	kg (lb) 7860 (17328)	7577 (16704)
	Total weight	kg (lb) 14993 (33054)	15545 (34271)
	Inside radius	mm (ft-in) 2825 (9-3)	2825 (9-3)
	Maximum radius over shovel	mm (ft-in) 6000 (19-6)	6196 (20-4)
	Articulation angle	degrees ± 40°	± 40°

\*Data based on machine equipped with 2.4m<sup>3</sup> bucket with toe plates and Michelin 20.5R25 XHA (L3) radial tyres.

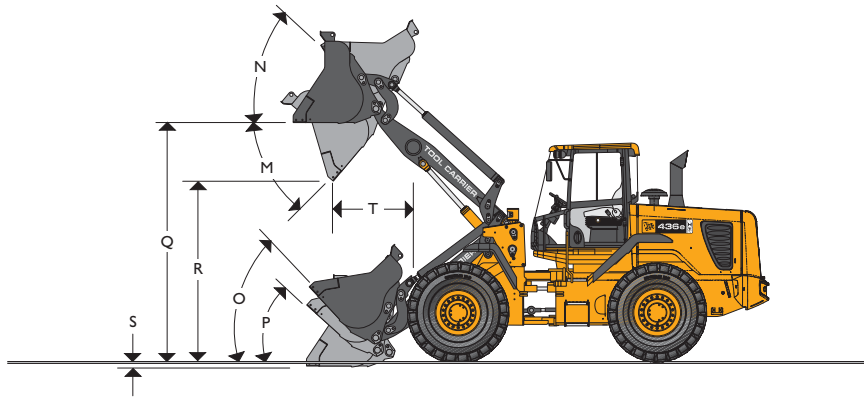
\*Data based on machine equipped with 2.4m<sup>3</sup> bucket with toe plates and Michelin 20.5R25 XHA (L3) radial tyres.



# JCB WHEELED LOADING SHOVEL | 436e HT



## LOADER DIMENSIONS – Standard height arm



## CHANGES TO OPERATING PERFORMANCE AND DIMENSIONS

Tyre size	Manufacturer	Type	Rating	Op. weight kg (lb)	Tipping loads		Dimensions	
					Straight kg (lb)	Full turn kg (lb)	Vertical mm (in)	Width mm (in)
20.5 - 25 (crossply)	Firestone		L2	-348 (-767)	-208 (-459)	-201 (-443)	-9 (-0.354)	+5 (+0.197)
20.5 - 25 (crossply)	Goodyear	SGL	L2	-54 (-119)	-32 (-71)	-31 (-68)	-9 (-0.354)	+5 (+0.197)
20.5 R25 (radial)	Goodyear	RL - 2 +	L2	+76 (+168)	+45 (+99)	+44 (+97)	-9 (-0.354)	+5 (+0.197)
20.5 R25 (radial)	Bridgestone	VJUT	L2	-160 (-353)	-96 (-212)	-93 (-205)	0	0
20.5 R25 (radial)	Michelin	XTLA	L2	-160 (-353)	-96 (-212)	-93 (-205)	-9 (-0.354)	+5 (+0.197)
20.5 R25 (radial)	Bridgestone	VMT	L3	0	0	0	0	0
550/65 R25 (radial)	Michelin	XLD	L3	-120 (-265)	-71 (-157)	-69 (-157)	0	0
20.5 R25 (radial)	Michelin	XRD1A	L4	+456 (+1006)	+272 (+600)	+264 (+582)	+29 (+1.142)	+8 (+0.315)
20.5 R25 (radial)	Michelin	XMINED2	L5	+680 (+1500)	+407 (+897)	+393 (+867)	+29 (+1.142)	-3 (-0.118)
20.5 R25 (radial)	Goodyear	RL - 5K	L5	+600 (+1323)	+358 (+789)	+347 (+765)	+29 (+1.142)	-3 (-0.118)
Optional heavy counterweight		-	-	+380 (+839)	+680 (+1499)	+570 (+1257)	0	0

Assumes the machine is fitted with Michelin 20.5R25 XHA (L3) tyres.

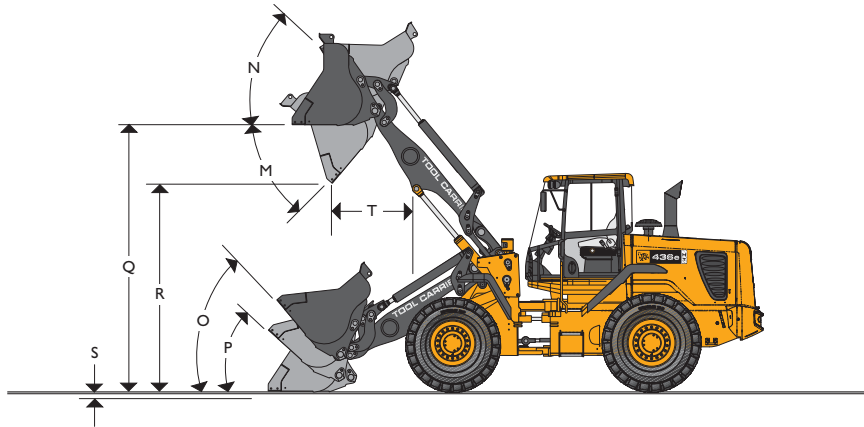
	Direct		Direct		Quickhitch		Quickhitch	
	General purpose	General purpose	General purpose	General purpose	General purpose	General purpose	General purpose	General purpose
Bucket mounting	Direct	Direct	Direct	Direct	Quickhitch	Quickhitch	Quickhitch	Quickhitch
Bucket type	General purpose	General purpose	General purpose	General purpose	General purpose	General purpose	General purpose	General purpose
Bucket equipment	Tipped teeth	Tipped teeth	Reversible toeplate	Reversible toeplate	Tipped teeth	Tipped teeth	Reversible toeplate	Reversible toeplate
Bucket capacity (SAE heaped)	m <sup>3</sup> (yd <sup>3</sup> )	2.3 (3.0)	2.6 (3.4)	2.4 (3.1)	2.7 (3.5)	2.3 (3.0)	2.6 (3.4)	2.4 (3.1)
Bucket capacity (struck)	m <sup>3</sup> (yd <sup>3</sup> )	1.984 (2.593)	2.270 (2.967)	2.057 (2.691)	2.346 (3.068)	1.984 (2.593)	2.270 (2.967)	2.057 (2.691)
Bucket width	mm (ft-in)	2740 (9-0)	2740 (9-0)	2700 (8-10)	2700 (8-10)	2740 (9-0)	2740 (9-0)	2700 (8-10)
Bucket weight	kg (lb)	1151 (2532)	1224 (2693)	1163 (2559)	1236 (2719)	1124 (2473)	1199 (2638)	1211 (2664)
Maximum material density	kg/m <sup>3</sup> (lb/yd <sup>3</sup> )	2082 (3509)	1814 (3058)	1995 (3363)	1747 (2945)	1958 (3300)	1706 (2876)	1876 (3062)
Tipping load straight	kg (lb)	11467 (25280)	11310 (24934)	11467 (25280)	11310 (24934)	10828 (23872)	10676 (23537)	10828 (23872)
Tipping load full turn	kg (lb)	9578 (21116)	9436 (20803)	9578 (21116)	9436 (20803)	9009 (19861)	8870 (19555)	9009 (19861)
Payload	kg (lb)	4789 (10558)	4718 (10401)	4789 (10558)	4718 (10401)	4504 (9930)	4435 (9777)	4504 (9903)
Maximum break out force	kN (lbf)	147 (33048)	134 (30240)	147 (33048)	134 (30240)	131 (29592)	122 (27432)	131 (29592)
<b>M</b> Dump angle maximum	degrees	50°	50°	50°	50°	50°	50°	50°
<b>N</b> Roll back angle full height	degrees	58°	58°	58°	58°	58°	58°	58°
<b>O</b> Roll back at carry	degrees	48°	48°	48°	48°	48°	48°	48°
<b>P</b> Roll back at ground level	degrees	43°	43°	43°	43°	43°	43°	43°
<b>Q</b> Load over height	mm (ft-in)	3755 (12-3)	3755 (12-3)	3755 (12-3)	3755 (12-3)	3755 (12-3)	3755 (12-3)	3755 (12-3)
<b>R</b> Dump height (45° dump)	mm (ft-in)	2825 (9-3)	2761 (9-0)	2974 (9-8)	2883 (9-6)	2740 (9-0)	2676 (8-9)	2862 (9-5)
<b>S</b> Dig depth	mm (ft-in)	114 (0-4)	114 (0-4)	106 (0-4)	106 (0-4)	114 (0-4)	114 (0-4)	106 (0-4)
<b>T</b> Reach at dump height	mm (ft-in)	1154 (3-9)	1213 (4-0)	1044 (3-5)	1103 (3-7)	1231 (4-0)	1289 (4-3)	1121 (3-8)
Reach maximum (45° dump) – horizontal arm	mm (ft-in)	1993 (6-6)	2057 (6-9)	1883 (6-2)	1947 (6-5)	1778 (5-10)	2142 (7-0)	1968 (6-5)
Operating weight (includes 80kg operator and full fuel tank)	kg (lb)	14491 (31947)	14564 (32108)	14503 (31973)	14576 (32135)	14788 (32602)	14863 (32767)	14800 (32628)



# JCB WHEELED LOADING SHOVEL | 436e HT

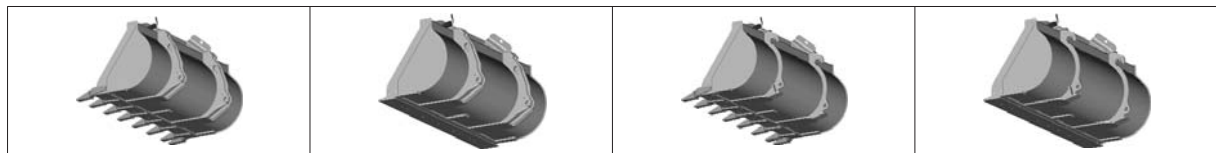


## LOADER DIMENSIONS – Hi-Lift



## CHANGES TO OPERATING PERFORMANCE AND DIMENSIONS

Tyre size	Manufacturer	Type	Rating	Op. weight kg (lb)	Tipping loads		Dimensions	
					Straight kg (lb)	Full turn kg (lb)	Vertical mm (in)	Width mm (in)
20.5 - 25 (crossply)	Firestone		L2	-348 (-767)	-168 (-370)	-164 (-362)	-9 (-0.354)	+5 (+0.197)
20.5 - 25 (crossply)	Goodyear	SGL	L2	-54 (-119)	-25 (-55)	-24 (-53)	-9 (-0.354)	+5 (+0.197)
20.5 R25 (radial)	Goodyear	RL - 2 +	L2	+76 (+168)	+36 (+79)	+35 (+76)	-9 (-0.354)	+5 (+0.197)
20.5 R25 (radial)	Bridgestone	VUT	L2	-160 (-353)	-78 (-172)	-76 (-168)	0	0
20.5 R25 (radial)	Michelin	XTLA	L2	-160 (-353)	-78 (-172)	-76 (-168)	-9 (-0.354)	+5 (+0.197)
20.5 R25 (radial)	Bridgestone	VMT	L3	0	0	0	0	0
550/65 R25 (radial)	Michelin	XLD	L3	-120 (-265)	-55 (-128)	-55 (-121)	0	0
20.5 R25 (radial)	Michelin	XRD1A	L4	+456 (+1006)	+219 (+483)	+215 (+476)	+29 (+1.142)	+8 (+0.315)
20.5 R25 (radial)	Michelin	XMINED2	L5	+680 (+1500)	+321 (+708)	+321 (+708)	+29 (+1.142)	-3 (-0.118)
20.5 R25 (radial)	Goodyear	RL - 5K	L5	+600 (+1323)	+289 (+637)	+283 (+625)	+29 (+1.142)	-3 (-0.118)
Optional heavy counterweight		-	-	+380 (+839)	+550 (+1213)	+466 (+1027)	0	0



Assumes the machine is fitted with Michelin 20.5R25 XHA (L3) tyres.

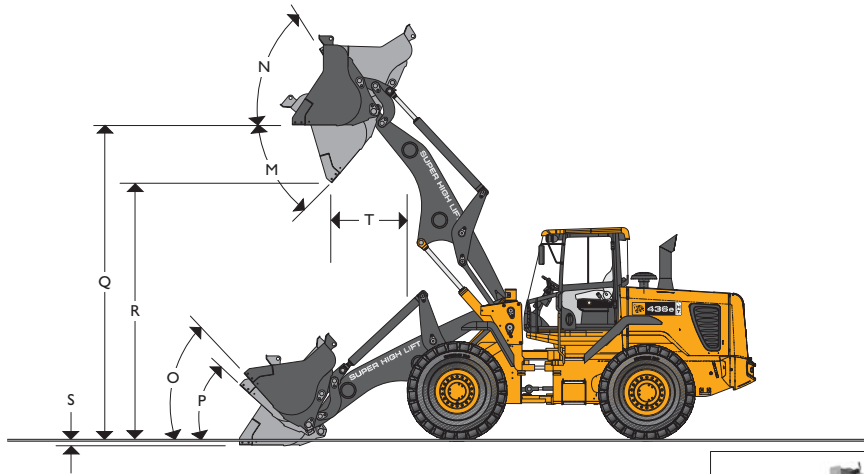
		Direct	Direct	Direct	Direct	Quickhitch	Quickhitch	Quickhitch	Quickhitch
		General purpose	General purpose	General purpose	General purpose	General purpose	General purpose	General purpose	General purpose
		Tipped teeth	Tipped teeth	Reversible toeplate	Reversible toeplate	Tipped teeth	Tipped teeth	Reversible toeplate	Reversible toeplate
Bucket capacity (SAE heaped)	m <sup>3</sup> (yd <sup>3</sup> )	2.3 (3.0)	2.6 (3.4)	2.4 (3.1)	2.7 (3.5)	2.3 (3.0)	2.6 (3.4)	2.4 (3.1)	2.7 (3.5)
Bucket capacity (struck)	m <sup>3</sup> (yd <sup>3</sup> )	1.984 (2.593)	2.270 (2.967)	2.057 (2.691)	2.346 (3.068)	1.984 (2.593)	2.270 (2.967)	2.057 (2.691)	2.346 (3.068)
Bucket width	mm (ft-in)	2740 (9-0)	2740 (9-0)	2700 (8-10)	2700 (8-10)	2740 (9-0)	2740 (9-0)	2700 (8-10)	2700 (8-10)
Bucket weight	kg (lb)	1151 (2532)	1224 (2693)	1163 (2559)	1236 (2719)	1124 (2473)	1199 (2638)	1136 (2499)	1211 (2664)
Maximum material density	kg/m <sup>3</sup> (lb/yd <sup>3</sup> )	1582 (2667)	1379 (2324)	1516 (2555)	1327 (2237)	1488 (2508)	1396 (2353)	1426 (2404)	1248 (2104)
Tipping load straight	kg (lb)	8715 (19213)	8595 (18949)	8715 (19213)	8595 (18949)	8229 (18142)	8114 (17888)	8229 (18142)	8114 (17888)
Tipping load full turn	kg (lb)	7279 (16047)	7171 (15809)	7279 (16047)	7171 (15809)	6847 (15095)	6741 (14861)	6847 (15095)	6741 (14861)
Payload	kg (lb)	3639 (8023)	3585 (7904)	3639 (8023)	3585 (7904)	3423 (7546)	3370 (7430)	3423 (7546)	3370 (7430)
Maximum break out force	kN (lbf)	147 (33048)	134 (30240)	147 (33048)	134 (30240)	131 (29592)	122 (27432)	131 (29592)	122 (27432)
<b>M</b> Dump angle maximum	degrees	45°	45°	45°	45°	45°	45°	45°	45°
<b>N</b> Roll back angle full height	degrees	60°	60°	60°	60°	60°	60°	60°	60°
<b>O</b> Roll back at carry	degrees	54°	54°	54°	54°	54°	54°	54°	54°
<b>P</b> Roll back at ground level	degrees	45°	45°	45°	45°	45°	45°	45°	45°
<b>Q</b> Load over height	mm (ft-in)	4409 (14-6)	4409 (14-6)	4409 (14-6)	4409 (14-6)	4409 (14-6)	4409 (14-6)	4409 (14-6)	4409 (14-6)
<b>R</b> Dump height (45° dump)	mm (ft-in)	3479 (11-5)	3415 (11-2)	3628 (11-11)	3537 (11-7)	3394 (11-2)	3330 (10-11)	3516 (11-6)	3452 (11-4)
<b>S</b> Dig depth	mm (ft-in)	109 (0-4)	109 (0-4)	101 (0-4)	101 (0-4)	109 (0-4)	109 (0-4)	101 (0-4)	101 (0-4)
<b>T</b> Reach at dump height	mm (ft-in)	1154 (3-9)	1213 (4-0)	1044 (3-5)	1103 (3-7)	1231 (4-0)	1289 (4-3)	1121 (3-8)	1179 (3-10)
Reach maximum (45° dump) – horizontal arm	mm (ft-in)	2483 (8-2)	2547 (8-4)	2373 (7-9)	2437 (8-0)	2268 (7-5)	2632 (8-8)	2458 (8-11)	2522 (8-3)
Operating weight (includes 80kg operator and full fuel tank)	kg (lb)	14981 (33027)	15054 (33188)	14993 (32922)	15066 (33215)	15278 (33682)	15353 (33848)	15290 (33709)	15365 (33874)



# JCB WHEELED LOADING SHOVEL | 436e HT



## LOADER DIMENSIONS – Super high lift arm



## CHANGES TO OPERATING PERFORMANCE AND DIMENSIONS

Tyre size	Manufacturer	Type	Rating	Op. weight kg (lb)	Tipping loads			Dimensions	
					Straight kg (lb)	Full turn kg (lb)	Vertical mm (in)	Width mm (in)	
20.5 - 25 (crossply)	Firestone		L2	-348 (-767)	-135 (-298)	-130 (-287)	-9 (-0.354)	+5 (+0.197)	
20.5 - 25 (crossply)	Goodyear	SGL	L2	-54 (-119)	-21 (-46)	-20 (-44)	-9 (-0.354)	+5 (+0.197)	
20.5 R25 (radial)	Bridgestone	VUT	L2	-160 (-353)	-73 (-161)	-64 (-141)	0	0	
20.5 R25 (radial)	Goodyear	RL - 2 +	L2	+76 (+168)	+29 (+64)	+28 (+62)	-9 (-0.354)	+5 (+0.197)	
20.5 R25 (radial)	Michelin	XTLA	L2	-160 (-353)	-73 (-161)	-64 (-141)	-9 (-0.354)	+5 (+0.197)	
20.5 R25 (radial)	Bridgestone	VMT	L3	0	0	0	0	0	
550/65 R25 (radial)	Michelin	XLD	L3	-120 (-265)	-46 (-101)	-45 (-99)	0	0	
20.5 R25 (radial)	Michelin	XRD1A	L4	+456 (+1006)	-177 (-390)	-171 (-377)	+29 (+1.142)	+8 (+0.315)	
20.5 R25 (radial)	Michelin	XMINED2	L5	+680 (+1500)	+264 (+582)	+255 (+562)	+29 (+1.142)	-3 (-0.118)	
20.5 R25 (radial)	Goodyear	RL-5K	L5	+600 (+1323)	+232 (+512)	-225 (496)	+29 (+1.142)	-3 (-0.118)	
Optional heavy counterweight		-	-	+380 (+839)	+421 (+928)	+353 (+778)	0	0	

Assumes the machine is fitted with Michelin 20.5R25 XHA (L3) tyres.

	Direct		Direct		Quickhitch		Quickhitch	
Bucket mounting	Direct	Direct	Direct	Direct	Quickhitch	Quickhitch	Quickhitch	Quickhitch
Bucket type	General purpose	General purpose	General purpose	General purpose	General purpose	General purpose	General purpose	General purpose
Bucket equipment	Tipped teeth	Tipped teeth	Reversible toeplate	Reversible toeplate	Tipped teeth	Tipped teeth	Reversible toeplate	Reversible toeplate
Bucket capacity (SAE heaped)	m <sup>3</sup> (yd <sup>3</sup> )	2.3 (3.0)	2.6 (3.4)	2.4 (3.1)	2.7 (3.5)	2.3 (3.0)	2.6 (3.4)	2.4 (3.1)
Bucket capacity (struck)	m <sup>3</sup> (yd <sup>3</sup> )	1.984 (2.593)	2.270 (2.967)	2.057 (2.691)	2.346 (3.068)	1.984 (2.593)	2.270 (2.967)	2.057 (2.691)
Bucket width	mm (ft-in)	2740 (9-0)	2740 (9-0)	2700 (8-10)	2700 (8-10)	2740 (9-0)	2740 (9-0)	2700 (8-10)
Bucket weight	kg (lb)	1151 (2532)	1224 (2693)	1163 (2559)	1236 (2719)	1124 (2473)	1199 (2638)	1136 (2499)
Maximum material density	kg/m <sup>3</sup> (lb/yd <sup>3</sup> )	1288 (2171)	1123 (1893)	1235 (2082)	1081 (1822)	1212 (2043)	1055 (1778)	1161 (1957)
Tipping load straight	kg (lb)	7247 (15977)	7148 (15759)	7247 (15977)	7148 (15759)	6843 (15086)	6747 (14875)	6843 (15086)
Tipping load full turn	kg (lb)	5929 (13071)	5841 (12877)	5929 (13071)	5841 (12877)	5576 (12293)	5490 (12103)	5576 (12293)
Payload	kg (lb)	2964 (6534)	2920 (6437)	2964 (6534)	2920 (6437)	2788 (6146)	2745 (6052)	2788 (6146)
Maximum break out force	kN (lbf)	153 (34425)	139 (31247)	153 (34425)	139 (31247)	136 (30573)	124 (28550)	136 (30573)
<b>M</b> Dump angle maximum	degrees	50°	50°	50°	50°	50°	50°	50°
<b>N</b> Roll back angle full height	degrees	58°	58°	58°	58°	58°	58°	58°
<b>O</b> Roll back at carry	degrees	48°	48°	48°	48°	48°	48°	48°
<b>P</b> Roll back at ground level	degrees	43°	43°	43°	43°	43°	43°	43°
<b>Q</b> Load over height	mm (ft-in)	4976 (16-4)	4976 (16-4)	4976 (16-4)	4976 (16-4)	4976 (16-4)	4976 (16-4)	4976 (16-4)
<b>R</b> Dump height (45° dump)	mm (ft-in)	4042 (13-3)	3978 (13-0)	4191 (13-9)	4100 (13-5)	3957 (13-0)	3893 (12-9)	4079 (13-5)
<b>S</b> Dig depth	mm (ft-in)	87 (0-3)	87 (0-3)	79 (0-3)	79 (0-3)	87 (0-3)	87 (0-3)	79 (0-3)
<b>T</b> Reach at dump height	mm (ft-in)	1178 (3-10)	1237 (4-1)	1068 (3-6)	1127 (3-8)	1255 (4-1)	1313 (4-4)	1145 (3-9)
Reach maximum (45° dump) – horizontal arm	mm (ft-in)	2958 (9-9)	3022 (9-11)	2848 (9-4)	2912 (9-7)	2743 (9-0)	3107 (10-2)	2933 (9-7)
Operating weight (includes 80kg operator and full fuel tank)	kg (lb)	15533 (34244)	15606 (34405)	15545 (34271)	15618 (34432)	15830 (34899)	15905 (35064)	15842 (34925)



# JCB WHEELED LOADING SHOVEL | 436e HT



## LOADER

Widely spaced four ram geometry provides the combination of excellent visibility with high bucket torque characteristics throughout the working arc. The pin, bush and sealing design on all pivot points provide extended maintenance intervals.

## ENGINE

6-cylinder wastegated turbo-charged, liquid cooled, direct injection common rail diesel. Air-to-air charge-air cooling ensure low emissions and "clean-burn" combustion chamber provides minimum fuel consumption. A remote sump oil drain facility simplifies servicing.

Type	4 stroke direct injection	
Make & model	QSB 6.7	
Capacity	litres	6.7
Aspiration	Turbo charged	
Cylinders	6	
Max gross power to SAE J1995/ISO 14396	kW (hp) @ 2000rpm	133 (178)
Rated gross power to SAE J1995/ISO 14396	kW (hp) @ 2200rpm	129 (173)
Nett power to SAE J1349/EEC 80/1269	kW (hp) @ 2200rpm	123 (165)
Max torque	Nm (lbf.ft) @ 1400rpm	800 (590)

**Emissions:-**  
US EPA Tier 3, CARB Tier 3, EU Stage III.

## TRANSMISSION

4 wheel drive, automatic smooth shift transmission electrically operated selector and gear change incorporating a speed inhibitor and modulation for smooth, responsive on-the-move direction and ratio changes. Single stage integral torque converter 4 forward and 3 reverse gears.

Type	Smooth shift powershift	
Make & model	ZF 4WG 190	
Torque converter stall ratio	2.873 : 1	
1st gear	kph (mph)	8.2 (5.1)
2nd gear	kph (mph)	14.5 (9.0)
3rd gear	kph (mph)	27 (16.8)
4th gear (forward only)	kph (mph)	37.9 (23.5)

## AXLES

Type	Epiclydic hub reduction	
Make & model	Graziano PR12 B.O. front & rear	
Overall axle ratio	21.098 : 1	
Rear axle oscillation	21°	



# JCB WHEELED LOADING SHOVEL | 436e HT



## STEERING

Priority steer hydraulic system with emergency steering. Piston pump meters flow through steer valve @ 190 bar (2756 lb/in<sup>2</sup>) to provide smooth low effort response. Steering angle  $\pm 40^\circ$ . Steer rams located high in the chassis fabrication to provide protection from damage. Adjustable steering column.

## BRAKES

Hydraulic power braking on all wheels, operating pressure 80 bar (1160psi). Dual circuit with accumulator back-up provide maximum safety under all conditions. Hub mounted, oil immersed, multi-plate disk brakes with organic brake linings are environmentally acceptable. Parking brake, mechanical disc type operating on transmission output shaft.

## TYRES

A variety of tyre options are available including:

20.5 x 25 x 12 ply (L2). 20.5 x 25 SGL (L2). 20.5R25 RL-2+ (L2). 20.5R25 VUT (L2). 20.5R25 XTLA (L2). 20.5R25 VMT (L3). 550/65R25 XLD (L3). 20.5R25 XHA (L3). 20.5R25 XRD1A (L4). 20.5R25 XMINED2 (L5). 20.5R25 RL-5K (L5).

## LOADER HYDRAULICS

Variable displacement piston pumps feed a "load sensing" system providing a fuel efficient and responsive distribution of power as required. Main services are servo actuated from a single lever (joystick) loader control. Auxiliary circuits controlled via additional lever or joystick mounted electrical buttons. Accumulator back-up is available to control loader in the event of loss of pump pressure.

Pump type	Twin variable displacement piston pumps	
Pump 1 max. flow	l/min (UK gal/min)	132 (29)
Pump 1 max. pressure	bar (lb/in <sup>2</sup> )	250 (3625)
Pump 2 max. flow	l/min (UK gal/min)	132 (29)
Pump 2 max. pressure	bar (lb/in <sup>2</sup> )	160 (2320)
Hydraulic cycle times at full engine revs		seconds
Arms raise (full bucket)		5.9
Bucket dump (full bucket)		1.0
Arms lower (empty bucket)		3.4
Total cycle		10.3

Ram dimensions		Bore	Rod	Closed centres	Stroke
Bucket ram x2	mm (in)	110 (4.3)	65 (2.6)	1740 (68.5)	1056 (41.6)
Lift ram x2	mm (in)	130 (5.1)	70 (2.8)	1259 (49.6)	813 (32)
Steer ram x2	mm (in)	80 (3.1)	50 (2.0)	621 (24.4)	312 (12.3)

## ELECTRICAL SYSTEM

24 volt negative ground system, 70 Amp alternator with 2 x 145 Amp hour low maintenance batteries. Isolator located in rear of machine. Ignition key start/stop and pre-heat cold start. Primary fuse box. Other electrical equipment includes quartz halogen, twin filament working lights, front/rear wash/wipe, heated rear screen, full road going lights, clock, gauge and warning light monitoring. Connectors to IP67 standard.

System voltage	Volt	24
Alternator output	Amp hour	70
Battery capacity	Amp hour	2 x 145



# JCB WHEELED LOADING SHOVEL | 436e HT



## CAB

Resiliently mounted ROPS/FOPS structure (tested in accordance with ISO 3471-1 : 1986 / ISO 3449 : 1984). De-luxe operator environment combines ergonomically located controls with a high level of appointment and low internal noise levels. Entry/exit is via large rear hinged door and anti-slip steps. Excellent forward visibility is provided by a 3 section curved, laminated windscreen and low waistline. Extensive instrumentation includes electronic monitoring panel and display (EMS). Heating / ventilation provides balanced and filtered air distribution throughout the cab via a powerful 11 kW capacity heater. The unitary construction allows easy sealing and prevents ingress of dust. A transmission lock on the selector prevents inadvertent engagement and the loader controls can be isolated for safe road travel. Noise level measured in accordance with 86/662/EEC, amendment 95/27/EC

Interior pressure level : 73 Lp (A)  
 Exterior power level : 105 Lw (A)

## ATTACHMENTS

An extensive range of attachments including pallet forks, crane jibs, high dumping buckets and timber grapples are available to fit directly or via the JCB quickhitch mounting.

## SERVICE FILL CAPACITIES

	litres (UK gal)
Hydraulic system	210 (46.2)
Fuel tank	230 (50.6)
Engine oil sump	14 (3.1)
Transmission oil system	32.5 (7.1)
Axle oil (front)	39 (8.6)
Axle oil (rear)	39 (8.6)
Engine coolant system	35 (7.7)

## STANDARD EQUIPMENT

**Loader:** Bucket reset mechanism, loader arm kickout mechanism, loader control isolator, single lever servo control, high torque geometry combines with excellent visibility between the arms.

**Engine:** Air cleaner - 2 stage dry type - cyclonic with primary and safety elements, silencer and exhaust stack, sedimenter, twin bowl fuel filters, alternator and compressor drive belt guards. Isolated cooling package with hydraulically driven cooling fan.

**Transmission:** Single lever shift control, speed inhibitor, neutral start, disconnect on footbrake and loader lever, disconnect isolator switch, direction changes and kickdown on gear selector and loader control lever.

**Axles:** Epicyclic wheel hub reduction, fixed front, oscillating rear.

**Brakes:** Multi-plate wet disc brakes, organic linings, dual circuit hydraulic power assisted. Parking disc brake on transmission output shaft.

**Hydraulics:** Twin piston pump with priority steer, emergency steer back-up, 2 spool loader circuit with accumulator support, 3rd spool auxiliary hydraulic circuit as standard. Hydraulic tank located in the rear chassis fabrication.

**Steering:** Adjustable steering column, "soft feel" steering wheel 5 turns lock to lock, resilient stops on max lock.

**Cab:** ROPS/FOPS safety structure, cigar lighter, ashtray, interior reading light, centre mounted master warning light. Electronic monitoring panel with LCD message display. Two speed intermittent front windscreen wipe/wash and self park, single speed rear windscreen wipe/wash and self park. 3 speed heater/demisting with replaceable air filter, LH and RH opening windows, sun visor, sun blind, internal rear view mirror, heated external mirrors, adjustable suspension seat with belt and headrest, operator storage facilities, laminated windscreen, heated rear screen, loader control isolator, horn, fire extinguisher.

**Electrical:** Road lights front and rear, parking lights, front and rear working lights, reverse alarm and light, rear fog light, battery isolator, radio wiring and speakers, 70 amp alternator, rotating beacon.

**Bodywork:** Front and rear fenders, side and rear access panels, flexible bottom step, full width rear counterweight, recovery hitch, lifting lugs.

## OPTIONAL EQUIPMENT

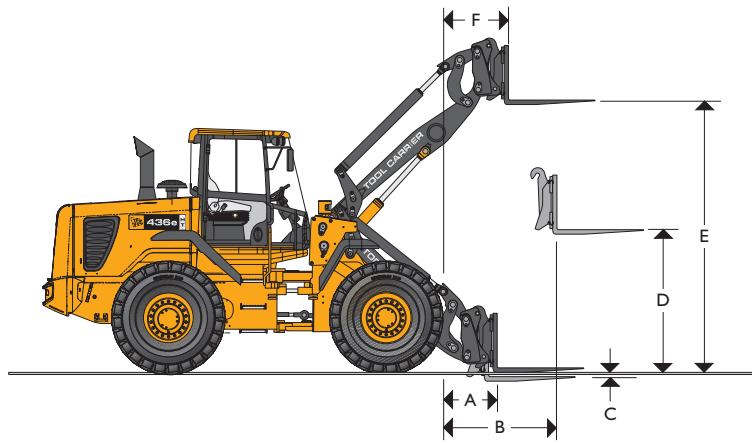
Auxiliary 4th spool hydraulic service, air conditioning, limited slip differentials front/rear axles, additional counterweight, oil bath air cleaner, turbo 2 pre-cleaner, visibowl pre-cleaner, tooth guard, replaceable bucket wearparts, sealed alternator, epoxy coated radiator/coolers, stainless steel brake pipes, smooth ride system (SRS), hydraulic quickhitch, full rear fenders, super high lift arms, reversing camera (colour), auto greasing system, auxiliary control buttons on joystick, spark arrestor, 24V to 12V in cab converter, cab screen guards, air suspension seat, front chassis apron mat.

## WASTEMASTER STANDARD EQUIPMENT

Machine as above including: fully belly guard kit, turbo 2 precleaner, automatically reversing fan, carbon cab air intake filter, front and rear light guards, white noise reverse alarm, auxiliary work lights, widecore radiator, full Wastemaster branding.



# JCB WHEELED LOADING SHOVEL | 436e HT



## LOADER DIMENSIONS – FORK FRAME WITH FORKS

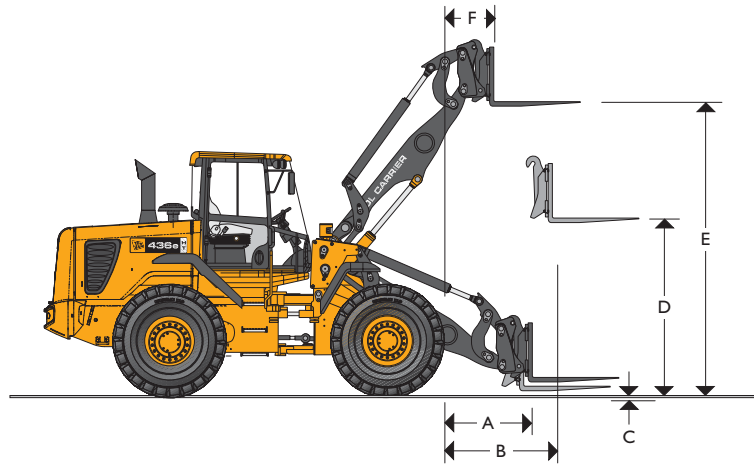
assumes Michelin 20.5R25 XHA (L3) tyres		Parallel fork	Roll back fork
Fork carriage width	mm (ft-in)	1500 (4-11)	1500 (4-11)
Length of tines	mm (ft-in)	1220 (4-0)	1220 (4-0)
<b>A</b> Reach at ground level	mm (ft-in)	791 (2-7)	798 (2-7)
<b>B</b> Reach at arms horizontal	mm (ft-in)	1613 (5-4)	1620 (5-4)
<b>C</b> Below ground level	mm (ft-in)	8 (0-3/8)	16 (0-5/8)
<b>D</b> Arms, horizontal height	mm (ft-in)	1946 (6-5)	1936 (6-4)
<b>E</b> Arms, maximum height	mm (ft-in)	3828 (12-7)	3818 (12-6)
<b>F</b> Reach at maximum height	mm (ft-in)	862 (2-10)	869 (2-10)
Payload**	kg (lb)	5000 (11025)	5000 (11025)
Tipping load straight	kg (lb)	8589 (18935)	8589 (18935)
Tipping load full turn (40°)	kg (lb)	7267 (16021)	7267 (16021)
Attachment weight	kg (lb)	482 (1063)	482 (1063)

\*\*At the centre-of-gravity distance 500mm (1ft-8in). Based on 80% of full turn tipping load as defined by ISO 8313. Manual fork spacings at 50mm increments. Fork section 100mm x 50mm (4in. x 2in.).





# JCB WHEELED LOADING SHOVEL | 436e HT



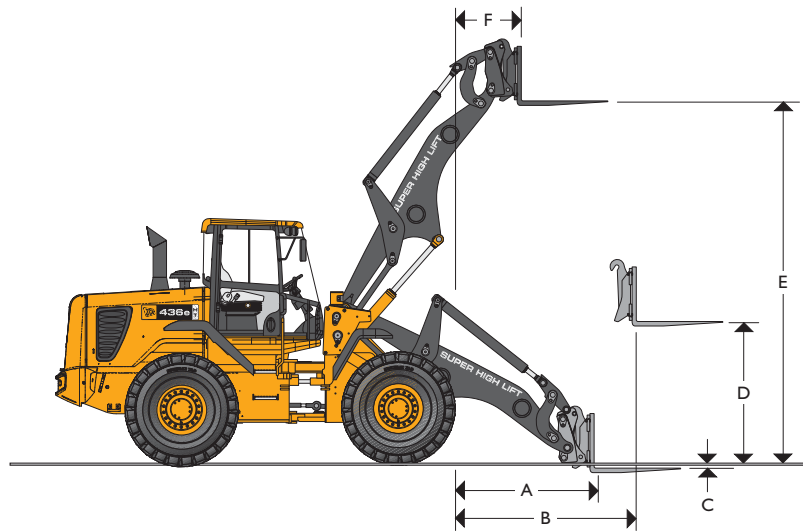
## HIGH LIFT LOADER DIMENSIONS – FORK FRAME WITH FORKS

assumes Michelin 20.5R25 XHA (L3) tyres		Parallel fork	Roll back fork
Fork carriage width	mm (ft-in)	1500 (4-11)	1500 (4-11)
Length of tines	mm (ft-in)	1220 (4-0)	1220 (4-0)
<b>A</b> Reach at ground level	mm (ft-in)	1147 (3-9)	1154 (3-9)
<b>B</b> Reach at arms horizontal	mm (ft-in)	2103 (6-11)	2110 (6-11)
<b>C</b> Below ground level	mm (ft-in)	3 (0-1/2)	11 (0-1/2)
<b>D</b> Arms, horizontal height	mm (ft-in)	1946 (6-5)	1936 (6-4)
<b>E</b> Arms, maximum height	mm (ft-in)	4482 (14-8)	4472 (14-8)
<b>F</b> Reach at maximum height	mm (ft-in)	862 (2-10)	869 (2-10)
Payload**	kg (lb)	4650 (10251)	4650 (10251)
Tipping load straight	kg (lb)	6871 (15147)	6871 (15147)
Tipping load full turn (40°)	kg (lb)	5813 (12815)	5813 (12815)
Attachment weight	kg (lb)	482 (1063)	482 (1063)

\*\*At the centre-of-gravity distance 500mm (1ft-8in). Based on 80% of full turn tipping load as defined by ISO 8313. Manual fork spacings at 50mm increments. Fork section 100mm x 50mm (4in. x 2in.).



# JCB WHEELED LOADING SHOVEL | 436e HT



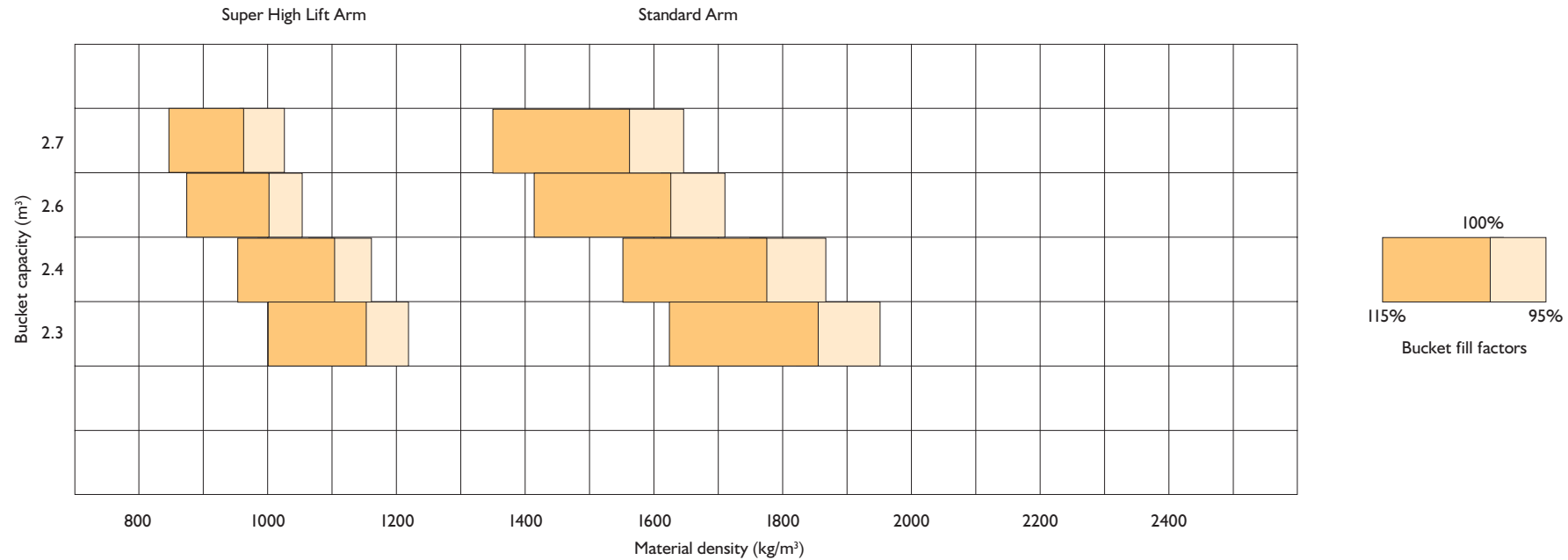
## SUPER HIGH LIFT LOADER DIMENSIONS – FORK FRAME WITH FORKS

assumes Michelin 20.5R25 XHA (L3) tyres		Parallel fork	Roll back fork
Fork carriage width	mm (ft-in)	1500 (4-11)	1500 (4-11)
Length of tines	mm (ft-in)	1220 (4-0)	1220 (4-0)
<b>A</b> Reach at ground level	mm (ft-in)	2014 (6-7)	2021 (6-8)
<b>B</b> Reach at arms horizontal	mm (ft-in)	2578 (8-5)	2585 (8-6)
<b>C</b> Below ground level	mm (ft-in)	-19 (-0-3/4)	-11 (-0-1/2)
<b>D</b> Arms, horizontal height	mm (ft-in)	1946 (6-5)	1936 (6-4)
<b>E</b> Arms, maximum height	mm (ft-in)	5045 (16-7)	5035 (16-6)
<b>F</b> Reach at maximum height	mm (ft-in)	886 (2-11)	893 (2-11)
Payload**	kg (lb)	3599 (7934)	3599 (7934)
Tipping load straight	kg (lb)	5428 (11967)	5428 (11967)
Tipping load full turn (40°)	kg (lb)	4499 (9919)	4499 (9919)
Attachment weight	kg (lb)	440 (968)	440 (968)

\*\*At the centre-of-gravity distance 500mm (1ft-8in). Based on 80% of full turn tipping load as defined by ISO 8313. Manual fork spacings at 50mm increments. Fork section 100mm x 50mm (4in. x 2in.).



## BUCKET SELECTOR



## BUCKET SELECTOR

Material	Loose density		Fill factor
	kg/m³	lb/yd³	%
Snow (fresh)	200	337	110
Peat (dry)	400	674	100
Sugar beet	530	894	100
Coke (loose)	570	961	85
Barley	600	1012	85
Petroleum coke	680	1146	85
Wheat	730	1231	85
Coal bituminous	765	1290	100
Fertiliser (mixed)	1030	1737	85
Coal anthracite	1046	1764	100
Earth (dry) (loose)	1150	1939	100
Nitrate fertiliser	1250	2180	85

Material	Loose density		Fill factor
	kg/m³	lb/yd³	%
Sodium chloride (dry) (salt)	1300	2192	85
Cement Portland	1440	2428	100
Limestone (crushed)	1530	2580	100
Sand (dry)	1550	2613	100
Asphalt	1600	2698	100
Gravel (dry)	1650	2782	85
Clay (wet)	1680	2832	110
Sand (wet)	1890	3187	110
Fire clay	2080	3507	100
Copper (concentrate)	2300	3878	85
Slate	2800	4721	100
Magnetite	3204	5402	100



## A GLOBAL COMMITMENT TO QUALITY

JCB's total commitment to its products and customers has helped it grow from a one-man business into Britain's largest privately owned manufacturer of backhoe loaders, crawler excavators, wheeled excavators, telescopic handlers, wheeled loaders, dump trucks, rough terrain fork lifts, industrial fork lifts, mini/midi excavators, skid steer loaders and tractors.

By making constant and massive investments in the latest production technology, the JCB factories have become some of the most advanced in Europe.

By leading the field in innovative research and design, extensive testing and stringent quality control, JCB machines have become renowned all over the world for performance, value and reliability.

And with a global sales and service network of over 400 distributors and agents, the company exports over 70% of its production to all five continents.

Through setting the standards by which others are judged, JCB has become one of Britain's most impressive success stories.

