



JCB WHEELED EXCAVATOR | JS160W MONOBOOM & TAB

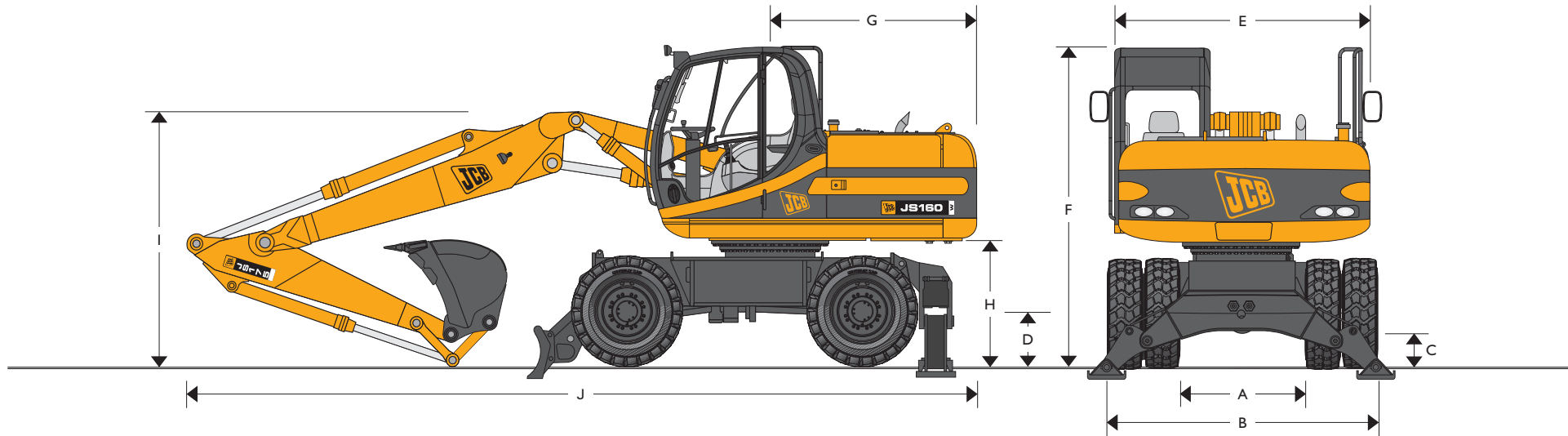


MAX. OPERATING WEIGHT

17820 kg (39286 lb)

NETT ENGINE POWER

92 kW (123 hp)



STATIC DIMENSIONS

Dimensions in millimetres (ft-in)

A	Internal width between dual wheels	1330 (4-4)
B	External width between dual wheels	2490 (8-2)
C	Ground clearance	350 (1-1)
D	Height to axle centre line dual wheels	498 (1-7)
	Height to axle centre line single wheels	519 (1-8)
E	Overall width (handrail removed)	2480 (8-2)
F	Height over cab	3195 (10-5)
G	Tail length	2190 (7-4)
H	Clearance under counterweight	1270 (4-2)

Monoboom

Dipper length		2.25m (7ft 5in)	2.70m (8ft 10in)	3.05m (10ft 0in)	
I	Transport boom height	mm (ft-in)	2765 (9-1)	2765 (9-1)	3240 (10-7)
J	Transport length	mm (ft-in)	8145 (26-8)	8135 (26-7)	8306 (27-3)

Triple articulated boom

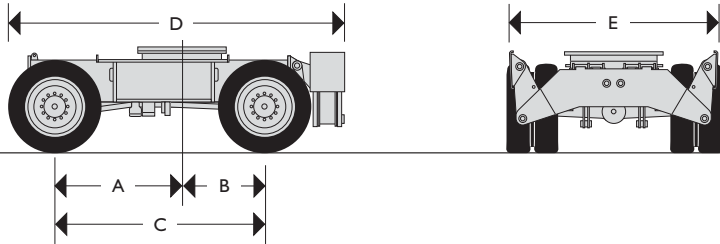
Dipper length		2.25m (7ft 5in)	2.70m (8ft 10in)	3.05m (10ft 0in)	
I	Transport boom height	mm (ft-in)	2806 (9-2)	2874 (9-5)	3136 (10-3)
J	Transport length	mm (ft-in)	8123 (26-7)	8118 (26-7)	8083 (26-6)



JCB WHEELED EXCAVATOR | JSI60W MONOBOOM & TAB

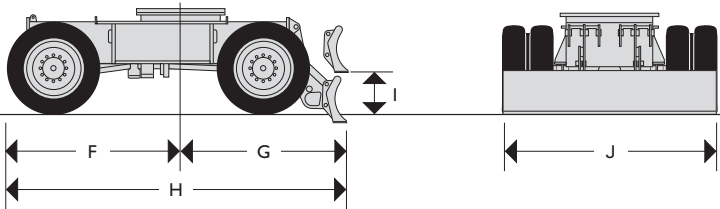


CHASSIS OPTIONS



Dimensions in millimetres (ft-in)

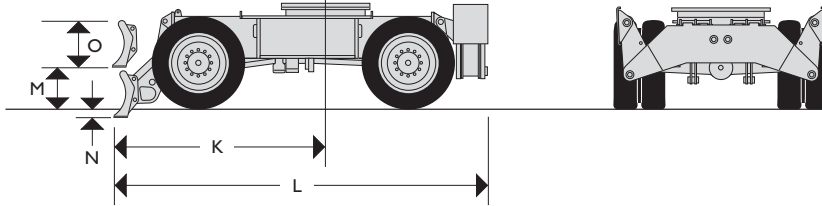
A	Centre of slew ring to front axle	1500 (4-11)
B	Centre of slew ring to rear axle	1000 (3-3)
C	Wheelbase	2500 (8-2)
D	Length including rear stabilizers	3950 (12-11)
E	Width over stabilizers (raised)	2480 (8-1)



Dimensions in millimetres (ft-in)

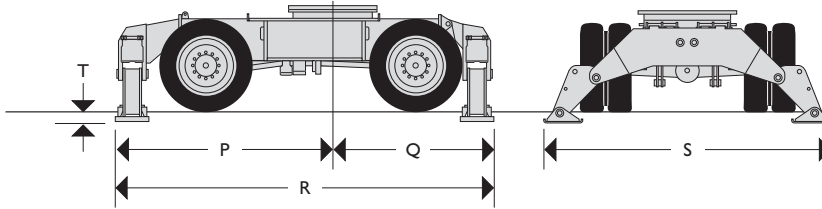
F	Centre of slew ring to face of front tyre	1990 (6-6)
G	Centre of slew ring to rear dozer blade (lowered)	2090 (6-10)
H	Length including rear dozer blade (raised)	4050 (13-3)
I	Ground level to bottom of rear dozer blade (raised)	450 (1-6)
J	Dozer blade width	2480 (8-1)

CHASSIS OPTIONS



Dimensions in millimetres (ft-in)

K	Centre of slew ring to front dozer blade (lowered)	2530 (8-3)
L	Length including stabilizers and dozer blade (raised)	4460 (14-7)
M	Ground level to bottom of front dozer blade (raised)	450 (1-6)
N	Dozer blade dig depth	130 (0-5)
O	Dozer blade height	500 (1-8)



Dimensions in millimetres (ft-in)

P	Centre of slew ring to front stabilizers	2520 (8-3)
Q	Centre of slew ring to rear stabilizers	1960 (6-5)
R	Length including front and rear stabilizers	4480 (14-8)
S	Width over stabilizers (lowered)	3550 (11-8)
T	Stabilizer lift height	130 (0-5)



JCB WHEELED EXCAVATOR | JSI60W MONOBOOM & TAB



ENGINE

Model	Isuzu 4JJ1X European Tier III emissions compliant.
Type	Water cooled, 4-stroke, 4-cylinder in-line, direct injection, turbocharged diesel.
Nett power (ISO 3046-1NF)	92kW (123hp) at 2200rpm.
Piston Displacement	2.99 litres.
Injection	Electrical governor.
Air Filtration	Dry element with secondary safety element and in cab warning indicator.
Cooling	Large capacity radiator.
Starting system	24 volt – 4.0kW.
Batteries	2 x 12 volt Heavy Duty.
Alternator	24 volt 50 amp.
Refuelling pump	Electric type.

SWING SYSTEM

Drive train	Axial piston motor and planetary reduction final drive.
Swing brake	Hydraulic braking plus automatic spring applied disc type parking brake.
Swing speed	11.3RPM
Swing gear	Large diameter, internally toothed fully sealed grease bath lubricated.
Swing lock	Multi position switchable brake and mechanical lock.

CHASSIS

Structure	High strength flanged 'u' section.
Chassis Options:	
Dozer Blade	Front or rear pin mount.
Stabilisers	Front or rear pin mount, independently operable – plus combinations.
Grab Stowage	Heavy duty, pin mounted stowage bar.
Transmission	Hydrostatic drive via piston motor and powershift transmission.
Travel speed	Low ratio 8.1kph (5mph) High ratio 25kph (15.5mph) Creep speed 3.8kph (2.4mph)
Axles	Four wheel drive. Front steering axle oscillates for rough ground mobility.
Axle load capacity	32 tonnes
Axle oscillation	+/- 8.5 degrees
Ground clearance	350mm (1ft 2in)
Steering	Fully hydraulic system.
Turning radius	To outside of tyres 5.45m (17ft 10in) To outer edge of front mounted dozer blade 6.06m (19ft 10in)
Brakes	All hydraulic, dual circuit brake system.
Parking Brake	Built into the transmission.

EXCAVATOR END

Monoboom available along with a choice of dipper lengths to suit the requirements of reach, dig-depth, loadover height, tearouts and site versatility. Reserve strength is built into the fully welded structures for hydraulic hammer and other arduous operations. Fabricated bucket tipping links are provided with a choice of lift points.

Strong, durable construction, large cross sections and multi plate fabrications to withstand high stress applications. The 5.15m (16ft 11in) boom is designed to ensure the optimum digging envelope when matched with the three dipper lengths. Low maintenance bronze alloy bushes with graphite plugs are fitted to boom base and boom to dipper pivots resulting in 1000 hour greasing intervals at these points.



JCB WHEELED EXCAVATOR | JSI60W MONOBOOM & TAB



MAIN HYDRAULIC SYSTEM

System	Load-sensed hydraulic system with twin variable flow piston pumps providing flow-on-demand for maximum efficiency.
Main pumps	2 variable displacement axial piston type
Maximum flow	2 x 138 l/min (31 UK gpm)
Main circuit pressure	314 bar (4555 lb/in ²)
With power boost	343 bar (4975 lb/in ²)
Servo pump	Gear type
Maximum flow	22 l/min (5 UK gpm)
Servo pressure	40 bar (580 lb/in ²)
Optional Circuits:	
Hammer	Includes automatic engine speed setting and return filter.
Maximum flow	138 l/min (30 UK gpm)
Maximum pressure	314 (343) bar (4555/4975 lb/in ²) (pre-set to 180 bar (2610 lb/in ²))
Grab operation	
Maximum flow	138 l/min (30 UK gpm)
Maximum pressure for grab ram operation	314 (343) bar (4555/4975 lb/in ²)
Low Flow Pipework	Two options available, one with 20L/min (4 UK gpm) flow and a second with an adjustable flow of 27-45L/min (6-10 UK gpm).
Hydraulic Cylinders	With hardened, chromed piston rods and end cushioning on boom, dipper and bucket crowd cylinder.
Filtration	
In tank	150 micron, suction strainer.
Main return line	10 micron, fibreform element.
Pilot line	10 micron, paper element.
Nephron by pass line	1.5 micron paper element.
Hydraulic hammer return	10 micron, reinforced microform element.

TYRES

Twins	10.00 x 20 tyres (16PR) with spacer ring.
Singles	18R x 19.5 tyres (Radials).

CAB

Excellent digging, loading and positioning visibility results from the careful design of front, side and roof lights. All screens are tinted to improve in cab conditions.

Fully opening front screen is very smooth to operate and as the lower screen is stored within the top screen frame it makes complete front screen opening easy, fast and convenient.

Fresh air ventilation available from opening door window, opening slot in front screen and fully opening front screen.

Parallelogram wash wiper for upper screen ensuring good wiped area for maximum visibility. Wiper motor is fitted in the left hand side of the roof screen so as not to affect bucket visibility when loading. Optional lower screen wiper available.

Fresh air ventilation and heater with windscreen demister. Infinitely variable blower speed, temperature and recirculation control. Climate control incorporating chilled cool box available as option. Fully adjustable deluxe suspension seat with arm rest adjustment and backrest recline. Radio with digital tuner fitted into the roof lining for maximum protection. Conveniently placed radio mute button incorporated into lower console. 12v power point and mobile phone holder built into the right hand console. Courtesy light can be operated from ground level and is illuminated for five minutes or until switched off improving operator access at night. Cab mounted roller blind protects operator from suns' glare through front or top screens.



AMS – ADVANCED MANAGEMENT SYSTEM

Four selectable working modes link the operators control movements with the engine and hydraulic systems to maximise productivity and efficiency.

- A (Auto)** Up to 100% engine power and 100% flow. Gives variable power and speed depending on the operator's input, matching the demand for output and efficiency to the job. Power boost is automatically activated in this mode should hard conditions be encountered. Auto idle cuts in after a period of inactivity (between 5 and 30 seconds as set by the operator)
- E (Economy)** 80% engine power. 95% of hydraulic flow maximises economy while maintaining excellent output.
- P (Precision)** 55% engine power. 90% of hydraulic flow for fine control of grading operations.
- L (Lifting)** 55% engine power. 63% of hydraulic flow with permanent power boost for maximum lifting power and control.

The Auto mode allows the AMS processor to select the optimum operational performance to match the demands of the job while the three alternative modes give precise matching of application when specific tasks are undertaken.

The adjustable position monitor mounted on the front right hand pillar of the cab gives the operator a constant read out of mode, tracking range, operating temperature and a host of other information, while retaining excellent visibility of the monitor and the job being carried out.

The required flow for hammer applications can be set and stored in the AMS memory and is automatically activated whenever the hammer pedal is depressed.

A maintenance indicator warns of imminent service needs, and all servicing and basic checks can be carried out using only the in cab display.

STANDARD EXCAVATING BUCKETS

All buckets are JCB – Esco fully welded steel, with sealed, hardened steel pivot pins and replaceable wear parts.

Max Width mm (in.)	Capacity (SAE heaped) cu.m (cu.yd)	Weight kg (lb)
600 (24)	0.35 (0.46)	426 (937)
750 (30)	0.49 (0.64)	480 (1056)
900 (36)	0.62 (0.81)	525 (1155)
1000 (40)	0.72 (0.94)	564 (1240)
1100 (44)	–	–
1200 (48)	0.90 (1.18)	633 (1392)

SERVICE CAPACITIES

	litres	UK gal
Fuel tank	253	53
Engine coolant	21	3.6
Engine oil	15	3.2
Swing reduction gear	2.2	0.5
Hydraulic system	124	27.3
Hydraulic tank	73	16.0
Transmission	2.5	0.7
Axle differentials (each)	Rear 12, Front 14	Rear 2.6, Front 3
Axle hubs (each)	2.0	0.5



JCB WHEELED EXCAVATOR | JSI60W MONOBOOM & TAB



STANDARD EQUIPMENT

Engine fan guard; Cold start pre-heat; Auto engine warm up; Double element air cleaner; Heavy duty alternator; Electrics isolator; Heavy duty batteries; Cab & engine soundproofing; Cab heater & screen demister; Tinted glass; Interior light; Coat hook; Cigarette lighter; Ashtray; Operator's storage box; Removable floor mat; Windscreen wash/wipe; Plug-in power socket; Automatic power boost; Auto-idle; One-touch engine speed control; Hydraulic cushion control; Plexus hydraulic oil filtration; HSP pressure test points; Auxiliary pipework mounting brackets; Work lights – boom & mainframe mounted; Upper structure under covers; Swing system cover; External mirrors; Handrail & non slip walk ways; Quick connect engine oil drain pipe; Front screen blind; Quick connect fuel tank drain pipe; Hinged engine under cover.

OPTIONAL EQUIPMENT

Hose burst check valves & overload warning system; Tipping link mounted lift points; General purpose buckets; Ditch/grading buckets; Quickhitch buckets; Hydraulic hammers; Auxiliary pipework (full and low flow); Air conditioning or climate control; Cab mounted & rear work lights; Rotating beacon; Rain guard; Biodegradable oil; Air suspension seat with heated pad and lumbar support adjustment; Electric refuelling pump; Lower screen wiper; Radio cassette player; Cruise control.

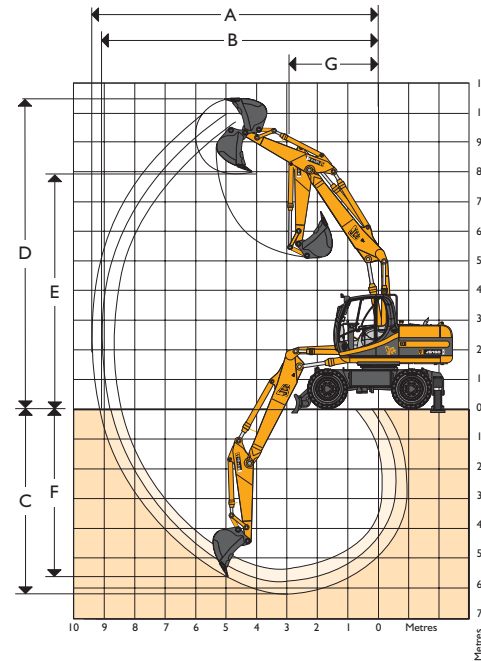
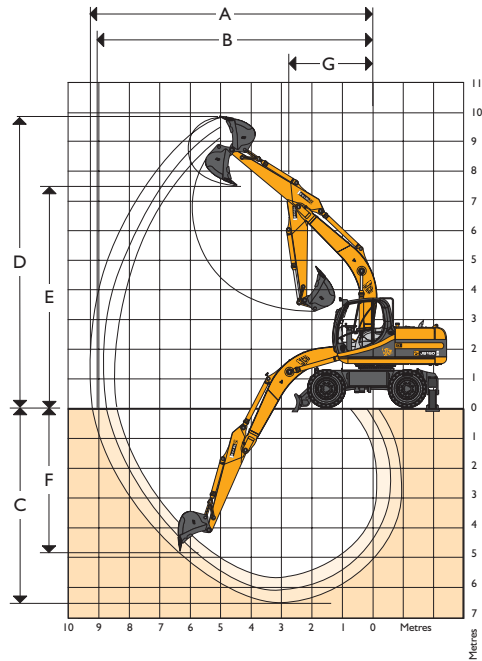
OPERATING WEIGHTS

Chassis					
	15560kg (34304lb)	16000kg (35274lb)	16440kg (36244lb)	16980kg (37434lb)	17320kg (38184lb)
	16160kg (35627lb)	16600kg (36597lb)	17040kg (37567lb)	17580kg (38757lb)	17820kg (39286lb)



Machine equipped with excavating bucket and dual wheels. For single wheels subtract 400kg (880lb).



WORKING RANGES



WORKING RANGES

Boom							
		2.25m (7ft 5in)	2.70m (8ft 10in)	3.05m (10ft 0in)	2.25m (7ft 5in)	2.70m (8ft 10in)	3.05m (10ft 0in)
Dipper arm							
A Max digging reach	mm (ft-in)	8592 (28-2)	8974 (29-5)	9352 (30-8)	8600 (28-2)	9025 (29-7)	9350 (30-7)
B Max digging reach (on ground)	mm (ft-in)	8386 (27-6)	8776 (28-6)	9163 (30-1)	8400 (27-6)	8850 (29-1)	9195 (30-1)
C Max digging depth	mm (ft-in)	5682 (18-8)	6120 (20-1)	6451 (21-2)	5300 (17-4)	5750 (18-9)	6100 (20-0)
D Max digging height	mm (ft-in)	9102 (29-10)	9237 (30-4)	9688 (31-9)	9700 (31-8)	10000 (32-9)	10235 (33-6)
E Max loadover height	mm (ft-in)	6636 (21-9)	6805 (22-4)	7174 (23-6)	7000 (23-0)	7325 (24-0)	7575 (24-9)
F Max vertical wall cut depth	mm (ft-in)	3826 (12-7)	4178 (13-8)	4839 (15-11)	4450 (14-7)	4900 (16-1)	5250 (17-2)
G Min swing radius	mm (ft-in)	3019 (9-11)	2961 (9-6)	2971 (9-9)	2725 (9-0)	2675 (8-8)	2635 (8-7)
Bucket rotation		183°	183°	183°	183°	183°	183°
Dipper tearout	kgf (lbf)	10128 (22330)	8440 (18608)	7470 (16470)	9035 (19920)	7530 (16600)	6665 (14690)
Dipper tearout with boost	kgf (lbf)	10990 (24230)	9160 (20196)	8100 (17860)	9600 (21165)	8100 (17860)	7235 (15950)
Bucket tearout	kgf (lbf)	10400 (22930)	10400 (22930)	10400 (22930)	10400 (22930)	10400 (22930)	10400 (22930)
Bucket tearout with boost	kgf (lbf)	10740 (23680)	10740 (23680)	10740 (23680)	10740 (23680)	10740 (23680)	10740 (23680)



JCB WHEELED EXCAVATOR | JSI60W MONOBOOM & TAB



LIFT CAPACITIES – Dipper Length: 2.25m, 5.15m Monoboom, Rear dozer, No bucket.

JSI60W

Reach	1.5m (4ft 11in)		3m (9ft 10in)		4.5m (14ft 9in)		6m (19ft 8in)		7.5m (24ft 7in)		Capacity at Max Reach			
													mm	
Load Point Ht.	kg	kg	kg	kg	kg	kg	kg	kg	kg	kg	kg	kg	mm	
7.5m (24.7ft)					4360*	4210						3830*	3830*	4620
6.0m (19.8ft)					5080*	4240	3530*	2610				3330*	2580	6031
4.5m (14.9ft)					5710*	4040	4890*	2570				3190*	2050	6838
3.0m (9.10ft)					6740*	3710	5250*	2440				3230*	1810	7248
1.5m (4.11ft)					7530*	3430	5580*	2310				3440*	1730	7330
0m			5580*	5580*	7600*	3280	5600*	2220				3880*	1780	7094
- 1.5m (- 4.11ft)	6310*	6310*	9440*	6050	6950*	3260	5060*	2210				4400*	2000	6508
- 3.0m (- 9.10ft)	8760*	8760*	7190*	6220	5360*	3350						4000*	2610	5454
- 4.5m (- 14.9ft)			2810*	2810*								2280*	2280*	3524

LIFT CAPACITIES – Dipper Length: 2.70m, 5.15m Monoboom, Rear dozer, No bucket.

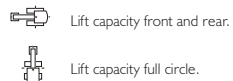
JSI60W

Reach	1.5m (4ft 11in)		3m (9ft 10in)		4.5m (14ft 9in)		6m (19ft 8in)		7.5m (24ft 7in)		Capacity at Max Reach			
													mm	
Load Point Ht.	kg	kg	kg	kg	kg	kg	kg	kg	kg	kg	kg	kg	mm	
7.5m (24.7ft)												2880*	2880*	5238
6.0m (19.8ft)							4040*	2700				2580*	2320	6514
4.5m (14.9ft)					5290*	4140	4610*	2620				2500*	1890	7266
3.0m (9.10ft)			9710*	6900	6360*	3790	5040*	2470	3370*	1740		2540*	1680	7653
1.5m (4.11ft)			5120*	5120*	7290*	3450	5450*	2320	4080	1670		2690*	1600	7731
0m			6660*	5850	7590*	3250	5600*	2210	3080*	1630		3020*	1630	7508
- 1.5m (- 4.11ft)	6070*	6070*	10140*	5870	7170*	3190	5280*	2170				3630*	1800	6957
- 3.0m (- 9.10ft)	10160*	10160*	8130*	6020	5930*	3250						4020*	2250	5985
- 4.5m (- 14.9ft)			4570*	4570*								3120*	3120*	4307

LIFT CAPACITIES – Dipper Length: 3.05m, 5.15m Monoboom, Rear dozer, No bucket.

JSI60W

Reach	1.5m (4ft 11in)		3m (9ft 10in)		4.5m (14ft 9in)		6m (19ft 8in)		7.5m (24ft 7in)		Capacity at Max Reach			
													mm	
Load Point Ht.	kg	kg	kg	kg	kg	kg	kg	kg	kg	kg	kg	kg	mm	
7.5m (24.7ft)												2400*	2400*	5690
6.0m (19.8ft)							3840*	2700				2170*	2090	6881
4.5m (14.9ft)							4350*	2620	2500*	1770		2110*	1720	7596
3.0m (9.10ft)			8930*	7140	6020*	3830	4830*	2470	3790*	1710		2150*	1540	7967
1.5m (4.11ft)			6790*	6190	7070*	3470	5300*	2300	4050	1640		2280*	1470	8041
0m			6950*	5870	7540*	3240	5540*	2180	3990	1580		2540*	1490	7828
- 1.5m (- 4.11ft)	5610*	5610*	9860*	5840	7290*	3160	5350*	2120				3040*	1630	7301
- 3.0m (- 9.10ft)	9050*	9050*	8780*	5950	6260*	3190	4430*	2150				3920*	2000	6383
- 4.5m (- 14.9ft)	7560*	7560*	5630*	5630*	3860*	3370						3340*	3060	4849



Notes:

1. For lifting capacity including bucket, subtract total weight of bucket or bucket and quickhitch from above values.
2. Lifting capacities are based on ISO 10567, that is: 75% of minimum tipping load or 87% of hydraulic lift capacity, whichever is the less. Lifting capacities marked* are based on hydraulic capacity.
3. Lift capacities assume that the machine is on firm, level ground.
4. Lift capacities may be limited by local regulations. Please refer to your dealer.



LIFT CAPACITIES – Dipper Length: 2.25m, 5.15m Monoboom, Rear stabilisers, No bucket.

JSI60W

Reach	1.5m (4ft 11in)		3m (9ft 10in)		4.5m (14ft 9in)		6m (19ft 8in)		7.5m (24ft 7in)		Capacity at Max Reach			
													mm	
Load Point Ht.	kg	kg	kg	kg	kg	kg	kg	kg	kg	kg	kg	kg	mm	
7.5m (24.7ft)					4360*	4360*						3830*	3830*	4620
6.0m (19.8ft)					5080*	5010	3530*	3080				3330*	3050	6031
4.5m (14.9ft)					5710*	4800	4890*	3050				3190*	2440	6838
3.0m (9.10ft)					6740*	4460	5250*	2910				3230*	2170	7248
1.5m (4.11ft)					7530*	4160	5270	2780				3440*	2080	7330
0m			5580*	5580*	7600*	4010	5160	2690				3880*	2150	7094
- 1.5m (- 4.11ft)	6310*	6310*	9440*	7620	6950*	3990	5060*	2680				4400*	2420	6508
- 3.0m (- 9.10ft)	8760*	8760*	7190*	7190*	5360*	4080						4000*	3150	5454
- 4.5m (- 14.9ft)			2810*	2810*								2280*	2280*	3524

LIFT CAPACITIES – Dipper Length: 2.70m, 5.15m Monoboom, Rear stabilisers, No bucket.

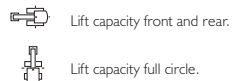
JSI60W

Reach	1.5m (4ft 11in)		3m (9ft 10in)		4.5m (14ft 9in)		6m (19ft 8in)		7.5m (24ft 7in)		Capacity at Max Reach			
													mm	
Load Point Ht.	kg	kg	kg	kg	kg	kg	kg	kg	kg	kg	kg	kg	mm	
7.5m (24.7ft)												2880*	2880*	5238
6.0m (19.8ft)							4040*	3180				2580*	2580*	6514
4.5m (14.9ft)					5290*	4910	4610*	3100				2500*	2250	7266
3.0m (9.10ft)			9710*	8540	6360*	4540	5040*	2950	3370*	2080		2540*	2010	7653
1.5m (4.11ft)			5120*	5120*	7290*	4180	5290	2790	3730	2020		2690*	1930	7731
0m			6660*	6660*	7590*	3980	5150	2670	3080*	1970		3020*	1970	7508
- 1.5m (- 4.11ft)	6070*	6070*	10140*	7430	7170*	3920	5100	2630				3630*	2180	6957
- 3.0m (- 9.10ft)	10160*	10160*	8130*	7600	5930*	3980						4020	2720	5985
- 4.5m (- 14.9ft)			4570*	4570*								3120*	3120*	4307

LIFT CAPACITIES – Dipper Length: 3.05m, 5.15m Monoboom, Rear stabilisers, No bucket.

JSI60W

Reach	1.5m (4ft 11in)		3m (9ft 10in)		4.5m (14ft 9in)		6m (19ft 8in)		7.5m (24ft 7in)		Capacity at Max Reach			
													mm	
Load Point Ht.	kg	kg	kg	kg	kg	kg	kg	kg	kg	kg	kg	kg	mm	
7.5m (24.7ft)												2400*	2400*	5690
6.0m (19.8ft)							3840*	3180				2170*	2170*	6881
4.5m (14.9ft)							4350*	3100	2500*	2110		2110*	2060	7596
3.0m (9.10ft)			8930*	8800	6020*	4580	4830*	2940	3790	2060		2150*	1850	7967
1.5m (4.11ft)			6790*	6790*	7070*	4210	5280	2780	3700	1980		2280*	1780	8041
0m			6950*	6950*	7540*	3970	5120	2650	3640	1930		2540*	1810	7828
- 1.5m (- 4.11ft)	5610*	5610*	9860*	7400	7290*	3880	5050	2590				3040*	1990	7301
- 3.0m (- 9.10ft)	9050*	9050*	8780*	7520	6260*	3920	4430*	2620				3920*	2420	6383
- 4.5m (- 14.9ft)	7560*	7560*	5630*	5630*	3860*	3860*						3340*	3340*	4849



Notes:

1. For lifting capacity including bucket, subtract total weight of bucket or bucket and quickhitch from above values.
2. Lifting capacities are based on ISO 10567, that is: 75% of minimum tipping load or 87% of hydraulic lift capacity, whichever is the less. Lifting capacities marked* are based on hydraulic capacity.
3. Lift capacities assume that the machine is on firm, level ground.
4. Lift capacities may be limited by local regulations. Please refer to your dealer.



LIFT CAPACITIES – Dipper Length: 2.25m, 5.15m Monoboom, Front dozer, Rear stabilisers, No bucket.

JSI60W

Reach	1.5m (4ft 11in)		3m (9ft 10in)		4.5m (14ft 9in)		6m (19ft 8in)		7.5m (24ft 7in)		Capacity at Max Reach			
													mm	
Load Point Ht.	kg	kg	kg	kg	kg	kg	kg	kg	kg	kg	kg	kg	mm	
7.5m (24.7ft)					4360*	4360*						3830*	3830*	4620
6.0m (19.8ft)					5080*	5080*	3530*	3530*				3330*	3330*	6031
4.5m (14.9ft)					5710*	5710*	4890*	3910				3190*	3150	6838
3.0m (9.10ft)					6740*	5860	5250*	3780				3230*	2820	7248
1.5m (4.11ft)					7530*	5540	5580*	3630				3440*	2720	7330
0m			5580*	5580*	7600*	5370	5600*	3540				3880*	2810	7094
- 1.5m (- 4.11ft)	6310*	6310*	9440	9440*	6950*	5350	5060*	3530				4400*	3170	6508
- 3.0m (- 9.10ft)	8760*	8760*	7190*	7190*	5360*	5360*						4000*	4000*	5454
- 4.5m (- 14.9ft)			2810*	2810*								2280*	2280*	3524

LIFT CAPACITIES – Dipper Length: 2.70m, 5.15m Monoboom, Front dozer, Rear stabilisers, No bucket.

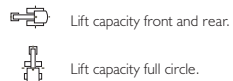
JSI60W

Reach	1.5m (4ft 11in)		3m (9ft 10in)		4.5m (14ft 9in)		6m (19ft 8in)		7.5m (24ft 7in)		Capacity at Max Reach			
													mm	
Load Point Ht.	kg	kg	kg	kg	kg	kg	kg	kg	kg	kg	kg	kg	mm	
7.5m (24.7ft)												2880*	2880*	5238
6.0m (19.8ft)							4040*	4040*				2580*	2580*	6514
4.5m (14.9ft)					5290*	5290*	4610*	3980				2500*	2500*	7266
3.0m (9.10ft)			9710*	9710*	6360*	5950	5040*	3820	3370*	2700		2540*	2540*	7653
1.5m (4.11ft)			5120*	5120*	7290*	5570	5450*	3650	4100*	2630		2690*	2520	7731
0m			6660*	6660*	7590*	5340	5600*	3520	3080*	2590		3020*	2580	7508
- 1.5m (- 4.11ft)	6070*	6070*	10140*	10140*	7170*	5280	5280*	3480				3630*	2860	6957
- 3.0m (- 9.10ft)	10160*	10160*	8130*	8130*	5930*	5350						4020*	3570	5985
- 4.5m (- 14.9ft)			4570*	4570*								3120*	3120*	4307

LIFT CAPACITIES – Dipper Length: 3.05m, 5.15m Monoboom, Front dozer, Rear stabilisers, No bucket.

JSI60W

Reach	1.5m (4ft 11in)		3m (9ft 10in)		4.5m (14ft 9in)		6m (19ft 8in)		7.5m (24ft 7in)		Capacity at Max Reach			
													mm	
Load Point Ht.	kg	kg	kg	kg	kg	kg	kg	kg	kg	kg	kg	kg	mm	
7.5m (24.7ft)												2400*	2400*	5690
6.0m (19.8ft)							3840*	3840*				2170*	2170*	6881
4.5m (14.9ft)							4350*	3970	2500*	2500*		2110*	2110*	7596
3.0m (9.10ft)			8930*	8930*	6020*	6000	4830*	3810	3790*	2680		2150*	2150*	7967
1.5m (4.11ft)			6790*	6790*	7070*	5600	5300*	3630	4330*	2600		2280*	2280*	8041
0m			6950*	6950*	7540*	5340	5540*	3500	4320*	2540		2540*	2390	7828
- 1.5m (- 4.11ft)	5610*	5610*	9860*	9860*	7290	5250	5350*	3440				3040*	2620	7301
- 3.0m (- 9.10ft)	9050*	9050*	8780*	8780*	6260*	5280	4430*	3470				3920*	3200	6383
- 4.5m (- 14.9ft)	7560*	7560*	5630*	5630*	3860*	3860*						3340*	3340*	4849



Notes:

1. For lifting capacity including bucket, subtract total weight of bucket or bucket and quickhitch from above values.
2. Lifting capacities are based on ISO 10567, that is: 75% of minimum tipping load or 87% of hydraulic lift capacity, whichever is the less. Lifting capacities marked* are based on hydraulic capacity.
3. Lift capacities assume that the machine is on firm, level ground.
4. Lift capacities may be limited by local regulations. Please refer to your dealer.



LIFT CAPACITIES – Dipper Length: 2.25m, 5.15m Monoboom, Front stabilisers, Rear stabilisers, No bucket.

JSI60W

Reach	1.5m (4ft 11in)		3m (9ft 10in)		4.5m (14ft 9in)		6m (19ft 8in)		7.5m (24ft 7in)		Capacity at Max Reach			
													mm	
Load Point Ht.	kg	kg	kg	kg	kg	kg	kg	kg	kg	kg	kg	kg	mm	
7.5m (24.7ft)					4360*	4360*						3830*	3830*	4620
6.0m (19.8ft)					5080*	5080*	3530*	3530*				3330*	3330*	6031
4.5m (14.9ft)					5710*	5710*	4890*	4450				3190*	3190*	6838
3.0m (9.10ft)					6740*	6740*	5250*	4310				3230*	3210	7248
1.5m (4.11ft)					7530*	6420	5580*	4160				3440*	3100	7330
0m			5580*	5580*	7600*	6250	5600*	4060				3880*	3210	7094
- 1.5m (- 4.11ft)	6310*	6310*	9440*	9440*	6950*	6220	5060*	4050				4400*	3630	6508
- 3.0m (- 9.10ft)	8760*	8760*	7190*	7190*	5360*	5360*						4000*	4000*	5454
- 4.5m (- 14.9ft)			2810*	2810*								2280*	2280*	3524

LIFT CAPACITIES – Dipper Length: 2.70m, 5.15m Monoboom, Front stabilisers, Rear stabilisers, No bucket.

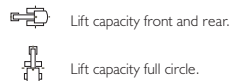
JSI60W

Reach	1.5m (4ft 11in)		3m (9ft 10in)		4.5m (14ft 9in)		6m (19ft 8in)		7.5m (24ft 7in)		Capacity at Max Reach			
													mm	
Load Point Ht.	kg	kg	kg	kg	kg	kg	kg	kg	kg	kg	kg	kg	mm	
7.5m (24.7ft)												2880*	2880*	5238
6.0m (19.8ft)							4040*	4040*				2580*	2580*	6514
4.5m (14.9ft)					5290*	5290*	4610*	4510				2500*	2500*	7266
3.0m (9.10ft)			9710*	9710*	6360*	6360*	5040*	4350	3370*	3070		2540*	2540*	7653
1.5m (4.11ft)			5120*	5120*	7290*	6450	5450*	4170	4100*	3010		2690*	2690*	7731
0m			6660*	6660*	7590*	6220	5600*	4050	3080*	2960		3020*	2960	7508
- 1.5m (- 4.11ft)	6070*	6070*	10140*	10140*	7170*	6150	5280*	4010				3630*	3280	6957
- 3.0m (- 9.10ft)	10160*	10160*	8130*	8130*	5930*	5930*						4020*	4020*	5985
- 4.5m (- 14.9ft)			4570*	4570*								3120*	3120*	4307

LIFT CAPACITIES – Dipper Length: 3.05m, 5.15m Monoboom, Front stabilisers, Rear stabilisers, No bucket.

JSI60W

Reach	1.5m (4ft 11in)		3m (9ft 10in)		4.5m (14ft 9in)		6m (19ft 8in)		7.5m (24ft 7in)		Capacity at Max Reach			
													mm	
Load Point Ht.	kg	kg	kg	kg	kg	kg	kg	kg	kg	kg	kg	kg	mm	
7.5m (24.7ft)												2400*	2400*	5690
6.0m (19.8ft)							3840*	3840*				2170*	2170*	6881
4.5m (14.9ft)							4350*	4350*	2500*	2500*		2110*	2110*	7596
3.0m (9.10ft)			8930*	8930*	6020*	6020*	4830*	4350	3790*	3050		2150*	2150*	7967
1.5m (4.11ft)			6790*	6790*	7070*	6490	5300*	4160	4330*	2970		2280*	2280*	8041
0m			6950*	6950*	7540*	6220	5540*	4020	4320*	2910		2540*	2540*	7828
- 1.5m (- 4.11ft)	5610*	5610*	9860*	9860*	7290*	6120	5350*	3960				3040*	3010	7301
- 3.0m (- 9.10ft)	9050*	9050*	8780*	8780*	6260*	6160	4430*	4000				3920*	3680	6383
- 4.5m (- 14.9ft)	7560*	7560*	5630*	5630*	3860*	3860*						3340*	3340*	4849



Notes:

1. For lifting capacity including bucket, subtract total weight of bucket or bucket and quickhitch from above values.
2. Lifting capacities are based on ISO 10567, that is: 75% of minimum tipping load or 87% of hydraulic lift capacity, whichever is the less. Lifting capacities marked* are based on hydraulic capacity.
3. Lift capacities assume that the machine is on firm, level ground.
4. Lift capacities may be limited by local regulations. Please refer to your dealer.



JCB WHEELED EXCAVATOR | JSI60W MONOBOOM & TAB



LIFT CAPACITIES – Dipper Length: 2.25m, 5.15m T.A.B., Rear dozer, No bucket.

JSI60W T.A.B.

Reach	1.5m (4ft 11in)		3m (9ft 10in)		4.5m (14ft 9in)		6m (19ft 8in)		7.5m (24ft 7in)		Capacity at Max Reach				
													kg	kg	mm
Load Point Ht.	kg	kg	kg	kg	kg	kg	kg	kg	kg	kg					
7.5m (24.7ft)													4240*	4230	4492
6.0m (19.8ft)													3510*	2650	5935
4.5m (14.9ft)			6720*	6720*			4690*	4330					3270*	2090	6753
3.0m (9.10ft)							5250*	4130	4630*	2600			3230*	1840	7168
1.5m (4.11ft)							6270*	3790	4990*	2470			3350*	1760	7251
0m							7190*	3470	5390*	2330			3670*	1810	7013
- 1.5m (- 4.11ft)			5340*	5340*			7530*	3300	5540*	2230			4330*	2060	6419
- 3.0m (- 9.10ft)			10110*	6060			7130*	3270	5140*	2220			5100*	3030	4882
							5670*	3380							

LIFT CAPACITIES – Dipper Length: 2.70m, 5.15m T.A.B., Rear dozer, No bucket.

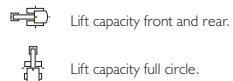
JSI60W T.A.B.

Reach	1.5m (4ft 11in)		3m (9ft 10in)		4.5m (14ft 9in)		6m (19ft 8in)		7.5m (24ft 7in)		Capacity at Max Reach				
													kg	kg	mm
Load Point Ht.	kg	kg	kg	kg	kg	kg	kg	kg	kg	kg					
7.5m (24.7ft)							4410*	4410*					3120*	3120*	5155
6.0m (19.8ft)							4240*	4240*	4170*	2720			2700*	2360	6448
4.5m (14.9ft)							4820*	4250	4330*	2660			2550*	1910	7207
3.0m (9.10ft)			8730*	7150			5870*	3880	4750*	2510	3200*	1740	2530*	1690	7597
1.5m (4.11ft)							6900*	3500	5220*	2340	3880*	1680	2630*	1620	7675
0m							6410*	5870	7430*	3270	5490*	2220	2870*	1650	7451
- 1.5m (- 4.11ft)			10500*	5880			7270*	3200	7270*	3200	5330*	2180	3340*	1840	6895
- 3.0m (- 9.10ft)			8830*	6050			6230*	3270					4150*	2320	5913

LIFT CAPACITIES – Dipper Length: 3.05m, 5.15m T.A.B., Rear dozer, No bucket.

JSI60W T.A.B.

Reach	1.5m (4ft 11in)		3m (9ft 10in)		4.5m (14ft 9in)		6m (19ft 8in)		7.5m (24ft 7in)		Capacity at Max Reach				
													kg	kg	mm
Load Point Ht.	kg	kg	kg	kg	kg	kg	kg	kg	kg	kg					
7.5m (24.7ft)													2580*	2580*	5629
6.0m (19.8ft)									3860*	2740			2270*	2120	6831
4.5m (14.9ft)									4050*	2670	2430*	1760	2150*	1740	7551
3.0m (9.10ft)			7950*	7400			4440*	4290	4520*	2510	3790*	1720	2140*	1550	7924
1.5m (4.11ft)			6890*	6330			5520*	3930	4520*	2510	3790*	1720	2140*	1550	7924
0m			6710*	5910			6650*	3540	5040*	2330	4150	1650	2230*	1480	7998
- 1.5m (- 4.11ft)	5120*	5120*	6710*	5910			7320*	3270	5400*	2190	4080	1590	2420*	1510	7784
- 3.0m (- 9.10ft)			9850*	5850			7330*	3170	5370*	2130			2800*	1660	7254
			9410*	5970			6530*	3210	4540*	2170			3590*	2050	6329



Notes:

1. For lifting capacity including bucket, subtract total weight of bucket or bucket and quickhitch from above values.
2. Lifting capacities are based on ISO 10567, that is: 75% of minimum tipping load or 87% of hydraulic lift capacity, whichever is the less. Lifting capacities marked* are based on hydraulic capacity.
3. Lift capacities assume that the machine is on firm, level ground.
4. Lift capacities may be limited by local regulations. Please refer to your dealer.



JCB WHEELED EXCAVATOR | JSI60W MONOBOOM & TAB



LIFT CAPACITIES – Dipper Length: 2.25m, 5.15m T.A.B., Rear stabilisers, No bucket.

JSI60W T.A.B.

Reach	1.5m (4ft 11in)		3m (9ft 10in)		4.5m (14ft 9in)		6m (19ft 8in)		7.5m (24ft 7in)		Capacity at Max Reach				
													kg	kg	mm
Load Point Ht.	kg	kg	kg	kg	kg	kg	kg	kg	kg	kg	kg	kg	kg	mm	
7.5m (24.7ft)													4240*	4240*	4492
6.0m (19.8ft)													3510*	3160	5935
4.5m (14.9ft)			6720*	6720*			4690*	4690*					3270*	2500	6753
3.0m (9.10ft)					6270*	4560	4920	4920	4630*	3090			3230*	2220	7168
1.5m (4.11ft)							7190*	4230	5390	2810			3350*	2130	7251
0m			5340*	5340*	7530*	4050	5270	5270	5270	2710			3670*	2200	7013
- 1.5m (- 4.11ft)			10110*	7670	7130*	4020	5140*	2700					4330*	2490	6419
- 3.0m (- 9.10ft)					5670*	4130							510**	3690	4882

LIFT CAPACITIES – Dipper Length: 2.70m, 5.15m T.A.B., Rear stabilisers, No bucket.

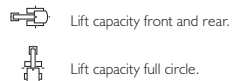
JSI60W T.A.B.

Reach	1.5m (4ft 11in)		3m (9ft 10in)		4.5m (14ft 9in)		6m (19ft 8in)		7.5m (24ft 7in)		Capacity at Max Reach				
													kg	kg	mm
Load Point Ht.	kg	kg	kg	kg	kg	kg	kg	kg	kg	kg	kg	kg	kg	kg	mm
7.5m (24.7ft)					4410*	4410*							3120*	3120*	5155
6.0m (19.8ft)					4240*	4240*			4170*	3220			2700*	2700*	6448
4.5m (14.9ft)					4820*	4820*			4330*	3160			2550*	2290	7207
3.0m (9.10ft)			8730*	8730*	5870*	4660			4750*	3000			2530*	2040	7597
1.5m (4.11ft)					6900*	4260			5220*	2830			2630*	1960	7675
0m			6410*	6410*	7430*	4020			5270	2700			2870*	2010	7451
- 1.5m (- 4.11ft)			10500*	7480	7270*	3950			5220	2660			3340*	2230	6895
- 3.0m (- 9.10ft)			8830*	7670	6230*	4020							4150	2810	5913

LIFT CAPACITIES – Dipper Length: 3.05m, 5.15m T.A.B., Rear stabilisers, No bucket.

JSI60W T.A.B.

Reach	1.5m (4ft 11in)		3m (9ft 10in)		4.5m (14ft 9in)		6m (19ft 8in)		7.5m (24ft 7in)		Capacity at Max Reach				
													kg	kg	mm
Load Point Ht.	kg	kg	kg	kg	kg	kg	kg	kg	kg	kg	kg	kg	kg	kg	mm
7.5m (24.7ft)													2580*	2580*	5629
6.0m (19.8ft)									3860*	3240			2270*	2270*	6831
4.5m (14.9ft)									4050*	3160			2150*	2090	7551
3.0m (9.10ft)			7950*	7950*	5520*	4710			4520*	3000			2140*	1880	7924
1.5m (4.11ft)			6890*	6890*	6650*	4300			5040*	2820			2230*	1800	7998
0m			6710*	6710*	7320*	4030			5240	2670			2420*	1840	7784
- 1.5m (- 4.11ft)	5120*	5120*	9850*	7450	7330*	3920			5170	2610			2800*	2030	7254
- 3.0m (- 9.10ft)			9410*	7580	6530*	3950			4540*	2660			3590*	2500	6329



Notes:

1. For lifting capacity including bucket, subtract total weight of bucket or bucket and quickhitch from above values.
2. Lifting capacities are based on ISO 10567, that is: 75% of minimum tipping load or 87% of hydraulic lift capacity, whichever is the less. Lifting capacities marked* are based on hydraulic capacity.
3. Lift capacities assume that the machine is on firm, level ground.
4. Lift capacities may be limited by local regulations. Please refer to your dealer.



JCB WHEELED EXCAVATOR | JSI60W MONOBOOM & TAB



LIFT CAPACITIES – Dipper Length: 2.25m, 5.15m T.A.B., Front dozer, Rear stabilisers, No bucket.

JSI60W T.A.B.

Reach	1.5m (4ft 11in)		3m (9ft 10in)		4.5m (14ft 9in)		6m (19ft 8in)		7.5m (24ft 7in)		Capacity at Max Reach			
													kg	kg
Load Point Ht.	kg	kg	kg	kg	kg	kg	kg	kg	kg	kg	kg	kg	kg	mm
7.5m (24.7ft)												4240*	4240*	4492
6.0m (19.8ft)					4690*	4690*						3510*	3510*	5935
4.5m (14.9ft)			6720*	6720*	5250*	5250*	4630*	3980				3270*	3250	6753
3.0m (9.10ft)					6270*	6000	4990*	3840				3230*	2900	7168
1.5m (4.11ft)					7190*	5640	5390*	3690				3350*	2790	7251
0m			5340*	5340*	7530*	5450	540*	3590				3670*	2890	7013
- 1.5m (- 4.11ft)			10110*	10110*	7130*	5420	5140*	3580				4330*	3280	6419
- 3.0m (- 9.10ft)					5670*	5540						5100*	4910	4882

LIFT CAPACITIES – Dipper Length: 2.70m, 5.15m T.A.B., Front dozer, Rear stabilisers, No bucket.

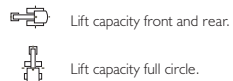
JSI60W T.A.B.

Reach	1.5m (4ft 11in)		3m (9ft 10in)		4.5m (14ft 9in)		6m (19ft 8in)		7.5m (24ft 7in)		Capacity at Max Reach			
													kg	kg
Load Point Ht.	kg	kg	kg	kg	kg	kg	kg	kg	kg	kg	kg	kg	kg	mm
7.5m (24.7ft)					4410*	4410*						3120*	3120*	5155
6.0m (19.8ft)					4240*	4240*	4170*	4120				2700*	2700*	6448
4.5m (14.9ft)					4820*	4820*	4330*	4060				2550*	2550*	7207
3.0m (9.10ft)			8730*	8730*	5870*	5870*	4750*	3890	3200*	2730		2530*	2530*	7597
1.5m (4.11ft)					6900*	5690	5220*	3710	3880*	2660		2630*	2570	7675
0m			6410*	6410*	7430*	5430	5490*	3580				2870*	2650	7451
- 1.5m (- 4.11ft)			10500*	10500*	7270*	5350	5330*	3530				3340*	2950	6895
- 3.0m (- 9.10ft)			8830*	8830*	6230*	5430						4150*	3710	5913

LIFT CAPACITIES – Dipper Length: 3.05m, 5.15m T.A.B., Front dozer, Rear stabilisers, No bucket.

JSI60W T.A.B.

Reach	1.5m (4ft 11in)		3m (9ft 10in)		4.5m (14ft 9in)		6m (19ft 8in)		7.5m (24ft 7in)		Capacity at Max Reach			
													kg	kg
Load Point Ht.	kg	kg	kg	kg	kg	kg	kg	kg	kg	kg	kg	kg	kg	mm
7.5m (24.7ft)												2580*	2580*	5629
6.0m (19.8ft)							3860*	3860*				2270*	2270*	6831
4.5m (14.9ft)					4440*	4440*	4050*	4050*	2430*	2430*		2150*	2150*	7551
3.0m (9.10ft)			7950*	7950*	5520*	5520*	4520*	3890	3790*	2720		2140*	2140*	7924
1.5m (4.11ft)			6890*	6890*	6650*	5730	5040*	3700	4210*	2640		2230*	2230*	7998
0m			6710*	6710*	7320*	5430	5400*	3550	4210*	2570		2420*	2420*	7784
- 1.5m (- 4.11ft)	5120*	5120*	9850*	9850*	7330*	5320	5370*	3480				2800*	2690	7254
- 3.0m (- 9.10ft)			9410*	9410*	6530*	5360	4540*	3530				3590*	3310	6329



Notes:

1. For lifting capacity including bucket, subtract total weight of bucket or bucket and quickhitch from above values.
2. Lifting capacities are based on ISO 10567, that is: 75% of minimum tipping load or 87% of hydraulic lift capacity, whichever is the less. Lifting capacities marked* are based on hydraulic capacity.
3. Lift capacities assume that the machine is on firm, level ground.
4. Lift capacities may be limited by local regulations. Please refer to your dealer.



JCB WHEELED EXCAVATOR | JSI60W MONOBOOM & TAB



LIFT CAPACITIES – Dipper Length: 2.25m, 5.15m T.A.B., Front stabilisers, Rear stabilisers, No bucket.

JSI60W T.A.B.

Reach	1.5m (4ft 11in)		3m (9ft 10in)		4.5m (14ft 9in)		6m (19ft 8in)		7.5m (24ft 7in)		Capacity at Max Reach		
													mm
Load Point Ht.	kg	kg	kg	kg	kg	kg	kg	kg	kg	kg	kg	kg	kg
7.5m (24.7ft)													4240*
6.0m (19.8ft)					4690*	4690*							3510*
4.5m (14.9ft)			6720*	6720*	5250*	5250*	4630*	4530					3270*
3.0m (9.10ft)					6270*	6270*	4990*	4390					3230*
1.5m (4.11ft)					7190*	6550	5390*	4230					3350*
0m			5340*	5340*	7530*	6350	5540*	4130					3670*
- 1.5m (- 4.11ft)			10110*	10110*	7130*	6320	5140*	4120					4330*
- 3.0m (- 9.10ft)					5670*	5670*							5100*

LIFT CAPACITIES – Dipper Length: 2.70m, 5.15m T.A.B., Front stabilisers, Rear stabilisers, No bucket.

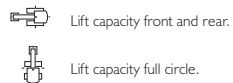
JSI60W T.A.B.

Reach	1.5m (4ft 11in)		3m (9ft 10in)		4.5m (14ft 9in)		6m (19ft 8in)		7.5m (24ft 7in)		Capacity at Max Reach		
													mm
Load Point Ht.	kg	kg	kg	kg	kg	kg	kg	kg	kg	kg	kg	kg	kg
7.5m (24.7ft)					4410*	4410*							3120*
6.0m (19.8ft)					4240*	4240*	4170*	4170*					2700*
4.5m (14.9ft)					4820*	4820*	4330*	4330*					2550*
3.0m (9.10ft)			8730*	8730*	5870*	5870*	4750*	4440	3200*	3110			2530*
1.5m (4.11ft)					6900*	6600	5220*	4250	3880*	3050			2630*
0m			6410*	6410*	7430*	6330	5490*	4120					2870*
- 1.5m (- 4.11ft)			10500*	10500*	7270*	6250	5330*	4070					3340*
- 3.0m (- 9.10ft)			8830*	8830*	6230*	6230*							4150*

LIFT CAPACITIES – Dipper Length: 3.05m, 5.15m T.A.B., Front stabilisers, Rear stabilisers, No bucket.

JSI60W T.A.B.

Reach	1.5m (4ft 11in)		3m (9ft 10in)		4.5m (14ft 9in)		6m (19ft 8in)		7.5m (24ft 7in)		Capacity at Max Reach		
													mm
Load Point Ht.	kg	kg	kg	kg	kg	kg	kg	kg	kg	kg	kg	kg	kg
7.5m (24.7ft)													2580*
6.0m (19.8ft)							3860*	3860*					2270*
4.5m (14.9ft)					4440*	4440*	4050*	4050*	2430*	2430*			2150*
3.0m (9.10ft)			7950*	7950*	5520*	5520*	4520*	4450	3790*	3100			2140*
1.5m (4.11ft)			6890*	6890*	6650*	6640	5040*	4250	4210*	3020			2230*
0m			6710*	6710*	7320*	6340	5400*	4090	4210*	2960			2420*
- 1.5m (- 4.11ft)	5120*	5120*	9850*	9850*	7330*	6220	5370*	4020					2800*
- 3.0m (- 9.10ft)			9410*	9410*	6530*	6260	4540*	4070					3590*



Notes:

1. For lifting capacity including bucket, subtract total weight of bucket or bucket and quickhitch from above values.
2. Lifting capacities are based on ISO 10567, that is: 75% of minimum tipping load or 87% of hydraulic lift capacity, whichever is the less. Lifting capacities marked* are based on hydraulic capacity.
3. Lift capacities assume that the machine is on firm, level ground.
4. Lift capacities may be limited by local regulations. Please refer to your dealer.



A GLOBAL COMMITMENT TO QUALITY

JCB's total commitment to its products and customers has helped it grow from a one-man business into Britain's largest privately owned manufacturer of backhoe loaders, crawler excavators, wheeled excavators, telescopic handlers, wheeled loaders, dump trucks, rough terrain fork lifts, industrial fork lifts, mini/midi excavators, skid steer loaders and tractors.

By making constant and massive investments in the latest production technology, the JCB factories have become some of the most advanced in Europe.

By leading the field in innovative research and design, extensive testing and stringent quality control, JCB machines have become renowned all over the world for performance, value and reliability.

And with a global sales and service network of over 400 distributors and agents, the company exports over 70% of its production to all five continents.

Through setting the standards by which others are judged, JCB has become one of Britain's most impressive success stories.

