



JCB TRACKED EXCAVATOR | JS 180 NLC/LC

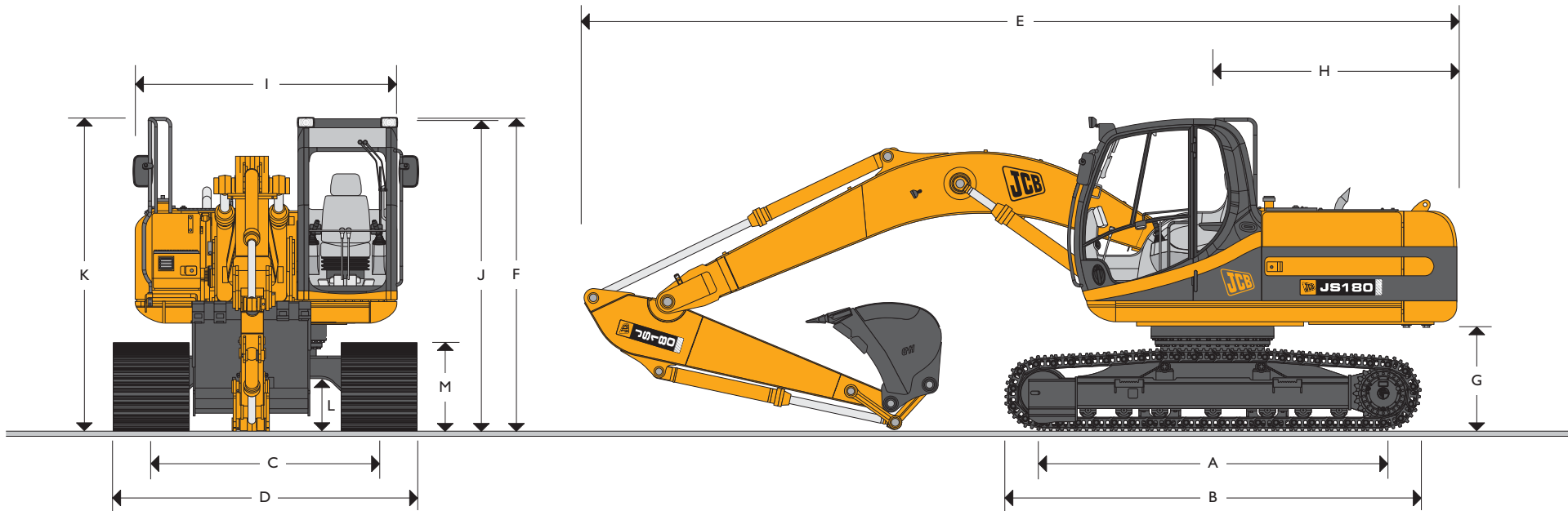


MAX. OPERATING WEIGHT

19480 kg (42946 lb)

NETT ENGINE POWER

92 kW (123 hp)



STATIC DIMENSIONS – JS180NLC/LC MONOBOOM

Dimensions in millimetres (ft-in)	NLC	LC	
A Track length on ground	3370 (11-1)	3370 (11-1)	
B Undercarriage overall length	4170 (13-8)	4170 (13-8)	
C Track gauge	1990 (6-6)	2200 (7-2)	
D Width over tracks (500mm trackshoes)	2490 (8-2)	–	
D Width over tracks (600mm trackshoes)	2590 (8-6)	2800 (9-2)	
D Width over tracks (700mm trackshoes)	2690 (8-10)	2900 (9-6)	
D Width over tracks (800mm trackshoes)	–	3000 (9-10)	
Dipper lengths	2.25m (7ft 5in)	2.7m (8ft 10in)	3.05m* (10ft 0in)
E Transport length with Monoboom	8366 (27-5)	8326 (27-4)	8415 (27-7)
F Transport height with Monoboom	3014 (9-10)	3014 (9-10)	3014 (9-10)

Dimensions in millimetres (ft-in)	
G Counterweight clearance	1072 (3-6)
H Tail swing radius	2338 (7-8)
I Width of superstructure	2740 (8-11)
J Height over cab	2987 (9-10)
K Height over grab rail	3014 (9-10)
L Ground clearance	486 (1-7)
M Track height	885 (2-11)

*Machine in transport position



JCB TRACKED EXCAVATOR | JS 180 NLC/LC

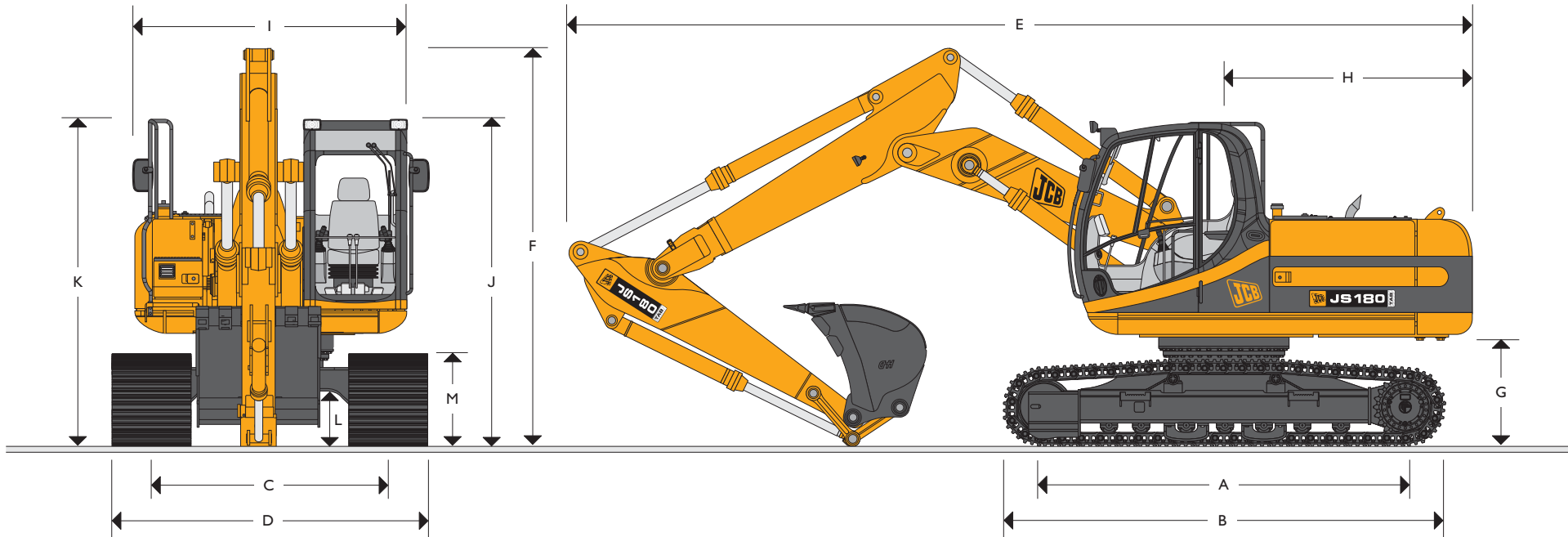


MAX. OPERATING WEIGHT

19965 kg (44015 lb)

NETT ENGINE POWER

92 kW (123 hp)



STATIC DIMENSIONS – JS 180NLC/LC T.A.B.

Dimensions in millimetres (ft-in)	NLC	LC	
A Track length on ground	3370 (11-1)	3370 (11-1)	
B Undercarriage overall length	4170 (13-8)	4170 (13-8)	
C Track gauge	1990 (6-6)	2200 (7-2)	
D Width over tracks (500mm trackshoes)	2490 (8-2)	–	
D Width over tracks (600mm trackshoes)	2590 (8-6)	2800 (9-2)	
D Width over tracks (700mm trackshoes)	2690 (8-10)	2900 (9-6)	
D Width over tracks (800mm trackshoes)	–	3000 (9-10)	
Dipper lengths	2.25m (7ft 5in)	2.7m (8ft 10in)	3.05m* (10ft 0in)
E Transport length with Monoboom	8652 (28-5)	8674 (28-5)	8644 (28-4)
F Transport height with Monoboom	2876 (9-5)	2760 (9-1)	2823 (9-3)

Dimensions in millimetres (ft-in)	
G Counterweight clearance	1072 (3-6)
H Tail swing radius	2338 (7-8)
I Width of superstructure	2740 (8-11)
J Height over cab	2987 (9-10)
K Height over grab rail	3014 (9-10)
L Ground clearance	486 (1-7)
M Track height	885 (2-11)

*Machine in transport position



JCB TRACKED EXCAVATOR | JS I80 NLC/LC



ENGINE

Model	Isuzu 4JJ1X European Tier III emissions compliant.
Type	Water cooled, 4-stroke, 4-cylinder in-line, direct injection, turbocharged diesel.
Nett power (ISO 3046-1NF)	92kW (128hp) at 2200rpm.
Piston Displacement	2.999 litres.
Injection	Electronic governor.
Air Filtration	Dry element with secondary safety element and in cab warning indicator.
Cooling	Large capacity radiator.
Starting system	24 volt – 4.5kW.
Batteries	2 x 12 volt Heavy Duty.
Alternator	24 volt 50 amp.
Refuelling pump	Electric type.

SWING SYSTEM

Swing motor	Axial piston type.
Swing brake	Hydraulic braking plus automatic spring applied disc type parking brake.
Final drive	Planetary reduction.
Swing speed	10 rpm.
Swing gear	Large diameter; internally toothed fully sealed grease bath lubricated.
Swing lock	Multi position switchable brake.

UNDERCARRIAGE

Carriage options	NLC-Narrow and LC-Long Carriage.
Construction	Fully welded, "X" frame type with central bellyguarding and track motor guards. Sloping sidemembers with dirt relief holes under top rollers.
Recovery point	Front and rear.
Track type	Sealed and greased.
Track shoe options	NLC – 500mm (20in), 600mm (24in), 700mm (28in). LC – 600mm (24in), 700mm (28in), 800mm (31.5in).
Upper & lower rollers	Heat treated, sealed and lubricated.
Track adjustment	Grease cylinder type.
Track idler	Sealed and lubricated, with spring cushioned recoil.
NLC & LC	
No. of track guides	2 per side
No. of lower rollers	7 per side
No. of upper rollers	2 per side
No. of track shoes	46 per side

HYDRAULIC SYSTEM

A variable flow load sensing system with flow on demand, variable power output and servo operated, multi-function open centre control. Machine auto warm up standard – maximises performance in cold conditions.

Pumps

Main pumps	2 variable displacement axial piston type.
Maximum flow	2 x 138 L/min (2 x 30.4 UK GPM).
Servo pump	Gear type.
Maximum flow	22 L/min (4.84 UK GPM).

Control valve

A combined ten spool control valve with auxiliary service spool as standard. When required twin pump flow is combined to boom, dipper and bucket services for greater speed and efficiency.

Relief valve settings

Boom/Arm/Bucket	314 bar (4610lb/sq.in)
With power boost	343 bar (4975lb/sq.in)
Swing circuit	279 bar (4045lb/sq.in)
Travel circuit	343 bar (4975lb/sq.in)
Pilot control	40 bar (569lb/sq.in)

A separate Cushion Control valve in the servo system provides cushioning of the boom and dipper spools selection and quick warm-up of the servo system.

Hydraulic cylinders

Double acting type, with bolt-up end caps and hardened steel bearing bushes. End cushioning is fitted as standard on boom, dipper and bucket rams.

Optional hose burst check valves available for boom and dipper rams.

Filtration

The hydraulic components are protected by the highest standard of filtration to ensure long hydraulic fluid and component life.

In tank	150 micron, suction strainer.
Main return line	10 micron, fibreform element.
Plexus Bypass line	1.5 micron, paper element.
Pilot line	10 micron, paper element.
Hydraulic hammer return	10 micron, reinforced microform element.

Cooling

Worldwide cooling is provided as part of a single face cooling pack, in conjunction with the engine water cooler.

TRACK DRIVE

Type	Fully hydrostatic, three speed with autoshift between high and medium speed.
Travel motors	Variable swash axial piston type, fully guarded within undercarriage frame.
Final drive	Planetary reduction, bolt-on sprockets.
Service brake	Hydraulic counter balance valve to prevent overspeeding on gradients.
Park brake	Disc type, spring applied, automatic hydraulic release.
Gradeability	70% (35 deg) continuous.
Travel speed	High – 4.9 km/h (3.0 mph). Mid – 3.1 km/h (1.9 mph). Low – 2.3 km/h (1.43 mph).
Tractive effort	144kN (14684kgf, 32372lbf).



JCB TRACKED EXCAVATOR | JS I80 NLC/LC



EXCAVATOR END – MONOBOOM

Monoboom available along with a choice of dipper lengths to suit the requirements of reach, dig-depth, loadover height, tearouts and site versatility. Reserve strength is built into the fully welded structures for hydraulic hammer and other arduous operations. Fabricated bucket tipping links are provided with a choice of lift points. Strong, durable construction, large cross sections and multi plate fabrications to withstand high stress applications. The 5.15m (16ft 11 in) boom is designed to ensure the optimum digging envelope when matched with the three dipper lengths. Low maintenance bronze alloy bushes with graphite plugs are fitted to boom base and boom to dipper pivots resulting in 1000 hour greasing intervals at these points.

EXCAVATOR END – T.A.B.

Triple Articulated Boom (T.A.B.) with a choice of dipper lengths to suit the requirements of reach, dig-depth, loadover height, tearouts and site versatility. Reserve strength is built into the fully welded structures for hydraulic hammer and other arduous operations. Fabricated bucket tipping links are provided with a choice of lift points.

CAB

Excellent digging, loading and positioning visibility results from the careful design of front, side and roof lights. All screens are tinted to improve in cab conditions. Fully opening front screen is very smooth to operate and as the lower screen is stored within the top screen frame it makes complete front screen opening easy, fast and convenient. Fresh air ventilation available from opening door window, opening slot in front screen and fully opening front screen. Parallelogram wash wiper for upper screen ensuring good wiped area for maximum visibility. Wiper motor is fitted in the left hand side of the roof screen so as not to affect bucket visibility when loading. Optional lower screen wiper available. Fresh air ventilation and heater with windscreen demister. Infinitely variable blower speed, temperature and recirculation control. Optional climate control. Fully adjustable deluxe suspension seat with arm rest adjustment and backrest recline. Optional radio with digital tuner fitted into the roof lining for maximum protection. Conveniently placed radio mute button incorporated into lower console. 12v power point and mobile phone holder built into the right hand console. Courtesy light can be operated from ground level and is illuminated for five minutes or until switched off improving operator access at night. Cab mounted roller blind protects operator from suns' glare through front or top screens.

AMS – ADVANCED MANAGEMENT SYSTEM

Four selectable working modes link the operators control movements with the engine and hydraulic systems to maximise productivity and efficiency.

A (Auto)

Up to 100% engine power and 100% flow. Gives variable power and speed depending on the operator's input, matching the demand for output and efficiency to the job. Power boost is automatically activated in this mode should hard conditions be encountered. Auto idle cuts in after a period of inactivity (between 5 and 30 seconds as set by the operator)

E (Economy)

80% engine power. 95% of hydraulic flow maximises economy while maintaining excellent output.

P (Precision)

55% engine power. 90% of hydraulic flow for fine control of grading operations.

L (Lifting)

55% engine power. 63% of hydraulic flow with permanent power boost for maximum lifting power and control.

The Auto mode allows the AMS processor to select the optimum operational performance to match the demands of the job while the three alternative modes give precise matching of application when specific tasks are undertaken.

The adjustable position monitor mounted on the front right hand pillar of the cab gives the operator a constant read out of mode, tracking range, operating temperature and a host of other information, while retaining excellent visibility of the monitor and the job being carried out.

The required flow for hammer applications can be set and stored in the AMS memory and is automatically activated whenever the hammer pedal is depressed.

A maintenance indicator warns of imminent service needs, and all servicing and basic checks can be carried out using only the in cab display.

CONTROLS

Excavator

All servo lever operated to ISO control pattern, independently adjustable to the seat.

Tracks

Individually servo operated by foot pedal or hand lever.

Speed selection via joystick button.

Auxiliary

Via servo operated foot pedal.

Control isolation

Via gate lock lever at cab entrance or panel switch.

Engine speed

Dial type throttle control plus servo lever mounted one-touch idle control or separate selectable auto-idle with adjustable time delay using AMS.

Engine stop

Ignition key operated and separate shut-down button.

Horn

Operated via servo lever mounted button.



JCB TRACKED EXCAVATOR | JS I80 NLC/LC



SERVICE CAPACITIES

	Litres	UK Gal
Fuel tank	253	55.6
Engine coolant	16.4	3.8
Engine oil	13.2	2.9
Swing reduction gear	6	1.3
Track reduction gear (each side)	4.4	0.97
Hydraulic system	142.0	31.2
Hydraulic tank	73.0	16.1

WEIGHTS AND GROUND BEARING PRESSURES

JSI80NLC Mono – Machine equipped with 5.15m Monoboom, 3.05m Dipper, 0.9m³ Bucket, operator and full fuel tank.

Shoe Width	Operating Weight	Bearing Pressure
500mm (20in.)	18895kg (41656lb)	0.54kg/sq. cm. (7.16lb/sq. in.)
600mm (24in.)	19021kg (41934lb)	0.42kg/sq. cm. (5.97lb/sq. in.)

JSI80LC Mono – Machine equipped with 5.15m Monoboom, 3.05m Dipper, 0.9m³ Bucket, operator and full fuel tank.

Shoe Width	Operating Weight	Bearing Pressure
600mm (24in.)	19105kg (42119lb)	0.42kg/sq. cm. (5.97lb/sq. in.)
700mm (28in.)	19460kg (42901lb)	0.33kg/sq. cm. (4.69lb/sq. in.)

JSI80NLC T.A.B. – Machine equipped with 5.35m T.A.B. boom, 3.05m Dipper, 0.9m³ Bucket, operator and full fuel tank.

Shoe Width	Operating Weight	Bearing Pressure
500mm (20in.)	19380kg (42726lb)	0.55kg/sq. cm. (7.82lb/sq. in.)
600mm (24in.)	19506kg (43003lb)	0.43kg/sq. cm. (6.12lb/sq. in.)

JSI80LC T.A.B. – Machine equipped with 5.35m T.A.B. boom, 3.05m Dipper, 0.9m³ Bucket, operator and full fuel tank.

Shoe Width	Operating Weight	Bearing Pressure
600mm (24in.)	19590kg (43189lb)	0.43kg/sq. cm. (6.12lb/sq. in.)
700mm (28in.)	19945kg (43971lb)	0.34kg/sq. cm. (4.84lb/sq. in.)

STANDARD EXCAVATING BUCKETS

All buckets are JCB – Esco type fully welded steel, with sealed, hardened steel pivot pins and replaceable wear parts.

Max Width	Capacity (SAE heaped)	Weight
600mm (24in.)	0.35cu.m (0.46cu.yd)	426kg (937lb)
750mm (30in.)	0.49cu.m (0.64cu.yd)	480kg (1056lb)
900mm (36in.)	0.62cu.m (0.81 cu.yd)	525kg (1155lb)
1000mm (40in.)	0.72cu.m (0.94cu.yd)	564kg (1240lb)
1200mm (48in.)	0.90cu.m (1.18cu.yd)	633kg (1392lb)

STANDARD / OPTIONAL EQUIPMENT

Standard Equipment: Engine fan guard; Cold start pre-heat; Auto engine warm up; Double element air cleaner; Heavy duty alternator; Electrics isolator; Heavy duty batteries; Cab & engine soundproofing; Cab heater & screen demister; Tinted glass; Interior light; Coat hook; Cigarette lighter; Ashtray; Operator's storage shelf; Removable floor mat; Windscreen wash/wipe; Plug-in power socket; Automatic power boost; Auto-idle; One-touch engine speed control; Hydraulic cushion control; Plexus hydraulic oil filtration; HSP pressure test points; Auxiliary pipework mounting brackets; Work lights – boom & mainframe mounted; Undercarriage belly guarding; Upper structure under covers; Swing system cover; External mirrors; Handrail & non slip walk ways; Quick connect engine oil drain pipe; Front screen blind; Quick connect fuel tank drain pipe; Hinged engine under cover; Remote filter system.

Optional Equipment: Hose burst check valves & overload warning system; Tipping link mounted lift points; General purpose buckets; Ditch/grading buckets; Quickhitch buckets; Hydraulic hammers; Auxiliary pipework (full and low flow); Climate control; Cab mounted & rear work lights; Rotating beacon; Rain guard; Biodegradable oil; Air suspension seat with heated pad and lumbar support adjustment; Electric refuelling pump; Track guides; Lower screen wiper; Radio; High and low temperature hydraulic oil option.

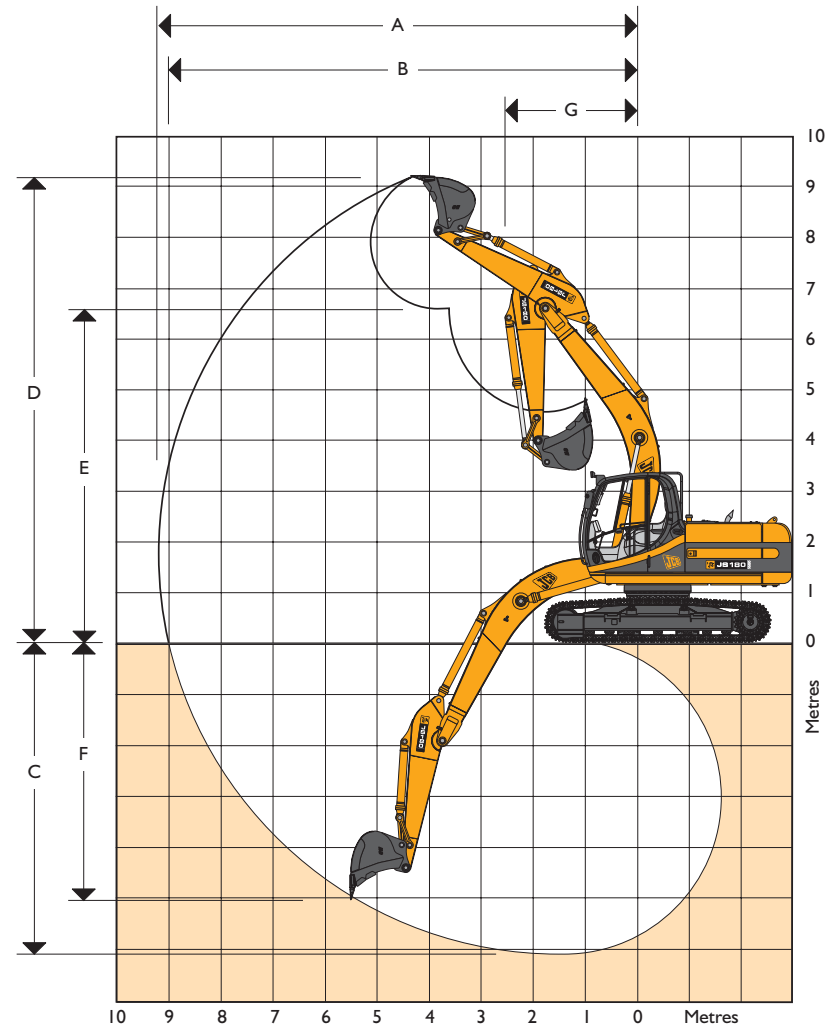


JCB TRACKED EXCAVATOR | JS 180 NLC/LC



WORKING RANGE – JS180 NLC/LC MONOBOOM

Boom length: 5.15m (16ft 10in)		
Dipper length:		2.25m (7ft 5in)
A	Maximum digging reach	mm (ft-in) 8514 (27-11)
B	Maximum digging reach (on ground)	mm (ft-in) 8368 (27-5)
C	Maximum digging depth	mm (ft-in) 5799 (19-0)
D	Maximum digging height	mm (ft-in) 9398 (30-9)
E	Maximum dumping height	mm (ft-in) 7048 (23-1)
F	Maximum vertical wall cut depth	mm (ft-in) 5229 (17-2)
G	Minimum swing radius	mm (ft-in) 3000 (9-10)
	Bucket rotation	182°
	Maximum dipper tearout (ISO 6015)	kgf (lbf) 8754 (19259)
	Maximum bucket tearout (ISO 6015)	kgf (lbf) 11839 (26104)
Dipper length: 2.70m (8ft 10in)		
A	Maximum digging reach	mm (ft-in) 8908 (29-3)
B	Maximum digging reach (on ground)	mm (ft-in) 8769 (28-9)
C	Maximum digging depth	mm (ft-in) 6252 (20-6)
D	Maximum digging height	mm (ft-in) 9663 (31-8)
E	Maximum dumping height	mm (ft-in) 7321 (24-0)
F	Maximum vertical wall cut depth	mm (ft-in) 5682 (18-8)
G	Minimum swing radius	mm (ft-in) 3000 (9-10)
	Bucket rotation	182°
	Maximum dipper tearout (ISO 6015)	kgf (lbf) 7619 (16764)
	Maximum bucket tearout (ISO 6015)	kgf (lbf) 11839 (26104)
Dipper length: 3.05m (10ft 0in)		
A	Maximum digging reach	mm (ft-in) 9223 (30-7)
B	Maximum digging reach (on ground)	mm (ft-in) 9088 (29-10)
C	Maximum digging depth	mm (ft-in) 6598 (21-8)
D	Maximum digging height	mm (ft-in) 9888 (32-5)
E	Maximum dumping height	mm (ft-in) 7543 (24-8)
F	Maximum vertical wall cut depth	mm (ft-in) 6028 (19-9)
G	Minimum swing radius	mm (ft-in) 3000 (9-10)
	Bucket rotation	182°
	Maximum dipper tearout (ISO 5016)	kgf (lbf) 7003 (15439)
	Maximum bucket tearout (ISO 5016)	kgf (lbf) 11839 (26104)



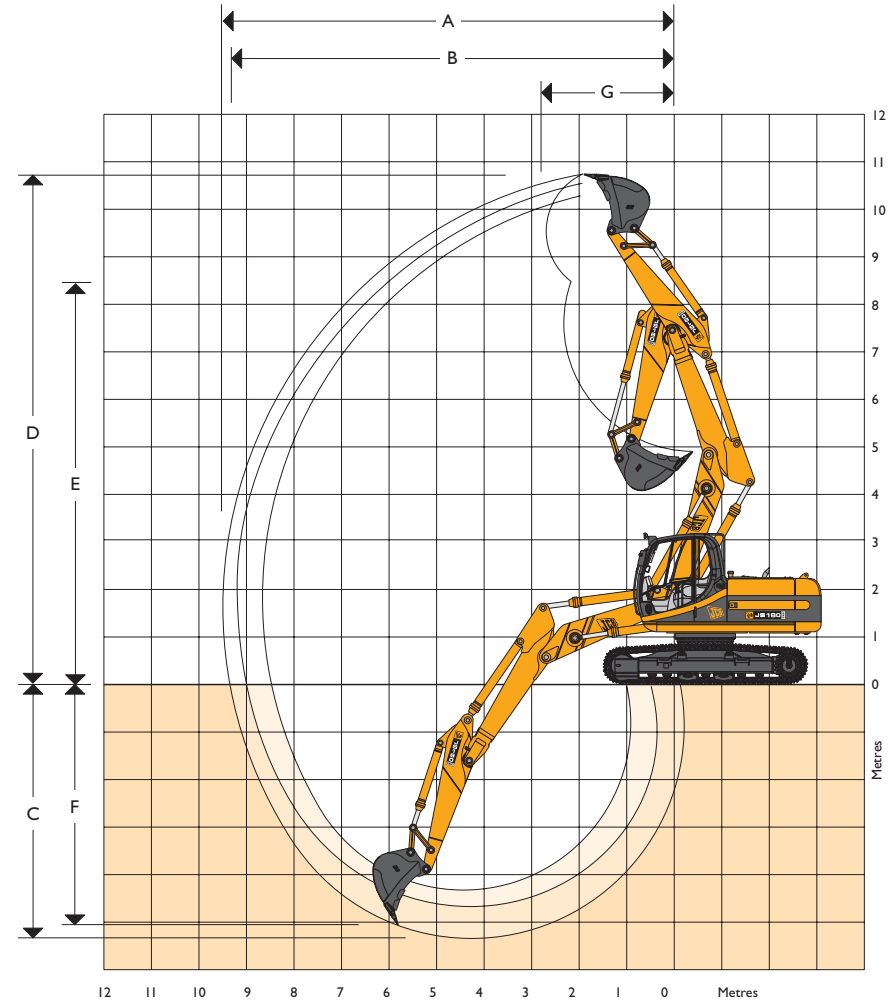


JCB TRACKED EXCAVATOR | JS 180 NLC/LC



WORKING RANGE – JS 180 NLC/LC T.A.B.

T.A.Boom length: 5.35m (17ft 6in)		
Dipper length:		2.25m (7ft 5in)
A	Maximum digging reach	mm (ft-in) 8831 (29-0)
B	Maximum digging reach (on ground)	mm (ft-in) 8652 (28-5)
C	Maximum digging depth	mm (ft-in) 5354 (17-7)
D	Maximum digging height	mm (ft-in) 10248 (33-7)
E	Maximum dumping height	mm (ft-in) 8000 (26-3)
F	Maximum vertical wall cut depth	mm (ft-in) 4232 (13-10)
G	Minimum swing radius	mm (ft-in) 2170 (7-1)
	Bucket rotation	182°
	Maximum dipper tearout (ISO 6015)	kgf (lbf) 8754 (19259)
	Maximum bucket tearout (ISO 6015)	kgf (lbf) 11839 (26104)
<hr/>		
Dipper length:		2.70m (8ft 10in)
A	Maximum digging reach	mm (ft-in) 9260 (30-5)
B	Maximum digging reach (on ground)	mm (ft-in) 9094 (2-10)
C	Maximum digging depth	mm (ft-in) 5786 (18-11)
D	Maximum digging height	mm (ft-in) 10674 (35-0)
E	Maximum dumping height	mm (ft-in) 8444 (27-8)
F	Maximum vertical wall cut depth	mm (ft-in) 4699 (15-5)
G	Minimum swing radius	mm (ft-in) 2227 (7-3)
	Bucket rotation	182°
	Maximum dipper tearout (ISO 6015)	kgf (lbf) 7619 (16764)
	Maximum bucket tearout (ISO 6015)	kgf (lbf) 11839 (26104)
<hr/>		
Dipper length:		3.05m (10ft 0in)
A	Maximum digging reach	mm (ft-in) 9592 (31-6)
B	Maximum digging reach (on ground)	mm (ft-in) 9463 (31-1)
C	Maximum digging depth	mm (ft-in) 6108 (20-0)
D	Maximum digging height	mm (ft-in) 10822 (35-6)
E	Maximum dumping height	mm (ft-in) 8672 (28-5)
F	Maximum vertical wall cut depth	mm (ft-in) 5211 (17-1)
G	Minimum swing radius	mm (ft-in) 2587 (8-6)
	Bucket rotation	182°
	Maximum dipper tearout (ISO 5016)	kgf (lbf) 7003 (15439)
	Maximum bucket tearout (ISO 5016)	kgf (lbf) 11839 (26104)





JCB TRACKED EXCAVATOR | JS I80 NLC/LC



LIFT CAPACITIES – Dipper Length: 2.25m, 5.15m Monoboom, Tracks: 500mm, No bucket.

JS I80 NLC MONO

Reach	1.5m (4ft 11in)		3m (9ft 10in)		4.5m (14ft 9in)		6m (19ft 8in)		7.5m (24ft 7in)		Capacity at Max Reach		
											kg	kg	mm
Load Point Ht.	kg	kg	kg	kg	kg	kg	kg	kg	kg	kg	kg	kg	mm
7.5m (24.7ft)											3330*	3330*	4948
6.0m (19.8ft)							4050*	3620			2930*	2930*	6311
4.5m (14.9ft)					5180*	5180*	4770*	3570			2820*	2730	7107
3.0m (9.10ft)			10030*	9340	6550*	5160	5340*	3430	3010*	2470	2850	2450	7524
1.5m (4.11ft)					7950*	4840	5680	3280	3910*	2410	3010*	2360	7624
0m			6020*	6020*	8610	4640	5560	3170			3350*	2410	7420
- 1.5m (- 4.11ft)	5750*	5750*	9380*	8410	8550	4590	5520	3140			4010*	2650	6885
- 3.0m (- 9.10ft)	10200*	10200*	11300*	8550	7990*	4650					5530*	3260	5927
- 4.5m (- 14.9ft)			8070*	8070*							5580*	5260	4265

LIFT CAPACITIES – Dipper Length: 2.70m, 5.15m Monoboom, Tracks: 500mm, No bucket.

JS I80 NLC MONO

Reach	1.5m (4ft 11in)		3m (9ft 10in)		4.5m (14ft 9in)		6m (19ft 8in)		7.5m (24ft 7in)		Capacity at Max Reach		
											kg	kg	mm
Load Point Ht.	kg	kg	kg	kg	kg	kg	kg	kg	kg	kg	kg	kg	mm
7.5m (24.7ft)											2560*	2560*	5530
6.0m (19.8ft)							3870*	3710			2310*	2310*	6779
4.5m (14.9ft)					4670*	4670*	4400*	3630	2360*	2360*	2230*	2230*	7530
3.0m (9.10ft)			8600*	8600*	5990*	5250	4980*	3470	3800*	2500	2260*	2260*	7928
1.5m (4.11ft)			7100*	7100*	7410*	4880	5660*	3300	4120	2420	2380*	2190	8027
0m			6890*	6890*	8340*	4630	5560	3160	4050	2360	2630*	2230	7838
- 1.5m (- 4.11ft)	5480*	5480*	9500*	8210	8480	4530	5480	3100			3100*	2410	7339
- 3.0m (- 9.10ft)	8050*	8050*	11320*	8330	7980*	4550	5520	3130			4090*	2870	6456
- 4.5m (- 14.9ft)			8860*	8620	6080*	4730					5210*	4150	4985

LIFT CAPACITIES – Dipper Length: 3.05m, 5.15m Monoboom, Tracks: 500mm, No bucket.

JS I80 NLC MONO

Reach	1.5m (4ft 11in)		3m (9ft 10in)		4.5m (14ft 9in)		6m (19ft 8in)		7.5m (24ft 7in)		Capacity at Max Reach		
											kg	kg	mm
Load Point Ht.	kg	kg	kg	kg	kg	kg	kg	kg	kg	kg	kg	kg	mm
7.5m (24.7ft)											2200*	2200*	5803
6.0m (19.8ft)							3510*	3510*			1980*	1980*	7041
4.5m (14.9ft)					4170*	4170*	4050*	3640	2750*	2540	1910*	1910*	7801
3.0m (9.10ft)			7320*	7320*	5430*	5350	4590*	3490	3720*	2490	1930*	1930*	8218
1.5m (4.11ft)			9770*	8910	6800*	4960	5240*	3310	4110	2400	2020*	2020*	8346
0m			6360*	6360*	7770*	4660	5550	3160	4020	2330	2220*	2060	8197
- 1.5m (- 4.11ft)	4350*	4350*	8440*	8220	8040*	4520	5450	3070	3980	2290	2570*	2190	7756
- 3.0m (- 9.10ft)	7510*	7510*	10960*	8280	7580*	4500	5440	3060			3260*	2540	6967
- 4.5m (- 14.9ft)	11650*	11650*	8690*	8480	6110*	4610					4390*	3400	5681

Lift capacity front and rear.

Lift capacity full circle.

Notes:

1. For lifting capacity including bucket, subtract total weight of bucket or bucket and quickhitch from above values.
2. Lifting capacities are based on ISO 10567, that is: 75% of minimum tipping load or 87% of hydraulic lift capacity, whichever is the less. Lifting capacities marked* are based on hydraulic capacity.
3. Lift capacities assume that the machine is on firm, level ground.
4. Lift capacities may be limited by local regulations. Please refer to your dealer.



JCB TRACKED EXCAVATOR | JS I80 NLC/LC



LIFT CAPACITIES – Dipper Length: 2.25m, 5.15m Monoboom, Trackshoes: 700mm, No bucket.

JS I80 LC MONO

Reach	1.5m (4ft 11in)		3m (9ft 10in)		4.5m (14ft 9in)		6m (19ft 8in)		7.5m (24ft 7in)		Capacity at Max Reach		
											kg	kg	mm
Load Point Ht.	kg	kg	kg	kg	kg	kg	kg	kg	kg	kg	kg	kg	mm
7.5m (24.7ft)											3330*	3330*	4948
6.0m (19.8ft)							4050*	3940			2930*	2930*	6311
4.5m (14.9ft)					5180*	5180*	4770*	3890			2820*	2820*	7107
3.0m (9.10ft)			10030*	10030*	6550*	5670	5290	3750	3010*	2690	3850*	2680	7524
1.5m (4.11ft)					7850	5330	5120	3590	3720	2640	3010*	2580	7624
0m			6020*	6020*	7630	5140	5000	3490			3350*	2640	7420
- 1.5m (- 4.11ft)	5750*	5750*	9380*	9380*	7570	5080	4960	3450			4010*	2900	6885
- 3.0m (- 9.10ft)	10200*	10200*	11300*	9640	7640	5140					5130	3570	5927
- 4.5m (- 14.9ft)			8070*	8070*							5580*	5580*	4265

LIFT CAPACITIES – Dipper Length: 2.70m, 5.15m Monoboom, Trackshoes: 700mm, No bucket.

JS I80 LC MONO

Reach	1.5m (4ft 11in)		3m (9ft 10in)		4.5m (14ft 9in)		6m (19ft 8in)		7.5m (24ft 7in)		Capacity at Max Reach		
											kg	kg	mm
Load Point Ht.	kg	kg	kg	kg	kg	kg	kg	kg	kg	kg	kg	kg	mm
7.5m (24.7ft)											2560*	2560*	5530
6.0m (19.8ft)							3870*	3870*			2310*	2310*	6779
4.5m (14.9ft)					4670*	4670*	4400*	3950	2360*	2360*	2230*	2230*	7530
3.0m (9.10ft)			8590*	8590*	5990*	5770	4980*	3790	3800*	2720	2260*	2260*	7928
1.5m (4.11ft)			5740*	5740*	7410*	5380	5150	3610	3730	2650	2380*	2380*	8027
0m			5880*	5880*	7620	5120	5000	3480	3670	2580	2630*	2440	7838
- 1.5m (- 4.11ft)	4960*	4960*	9140*	9140*	7510	5020	4930	3410			3100*	2640	7339
- 3.0m (- 9.10ft)	8830*	8830*	11450*	9440	7540	5050	4960	3440			4090*	3150	6456
- 4.5m (- 14.9ft)			8810*	8810*	6080*	5230					5210*	4570	4985

LIFT CAPACITIES – Dipper Length: 3.05m, 5.15m Monoboom, Trackshoes: 700mm, No bucket.

JS I80 LC MONO

Reach	1.5m (4ft 11in)		3m (9ft 10in)		4.5m (14ft 9in)		6m (19ft 8in)		7.5m (24ft 7in)		Capacity at Max Reach		
											kg	kg	mm
Load Point Ht.	kg	kg	kg	kg	kg	kg	kg	kg	kg	kg	kg	kg	mm
7.5m (24.7ft)											2200*	2200*	5803
6.0m (19.8ft)							3510*	3510*			1980*	1980*	7041
4.5m (14.9ft)					4170*	4170*	4050*	3970	2750*	2750*	1910*	1910*	7801
3.0m (9.10ft)			7320*	7320*	5430*	5430*	4590*	3810	3720*	2720	1930*	1930*	8218
1.5m (4.11ft)			9770*	9770*	6800*	5460	5160	3630	3720	2630	2020*	2020*	8346
0m			6360*	6360*	7670	5160	4990	3470	3640	2550	2220*	2220*	8197
- 1.5m (- 4.11ft)	4350*	4350*	8440*	8440*	7500	5010	4890	3380	3600	2510	2570*	2410	7756
- 3.0m (- 9.10ft)	7510*	7510*	10960*	9360	7480	4990	4880	3370			3260*	2790	6967
- 4.5m (- 14.9ft)	11650*	11650*	8690*	8690*	6110*	5100					4390*	3740	5681



Lift capacity front and rear.



Lift capacity full circle.

Notes:

1. For lifting capacity including bucket, subtract total weight of bucket or bucket and quickhitch from above values.
2. Lifting capacities are based on ISO 10567, that is: 75% of minimum tipping load or 87% of hydraulic lift capacity, whichever is the less. Lifting capacities marked* are based on hydraulic capacity.
3. Lift capacities assume that the machine is on firm, level ground.
4. Lift capacities may be limited by local regulations. Please refer to your dealer.



JCB TRACKED EXCAVATOR | JS I80 NLC/LC



LIFT CAPACITIES – Dipper Length: 2.25m, 5.35m T.A.B., Trackshoes: 500mm, No bucket.

JS I80 NLC T.A.B.

Reach	3m (9ft 10in)		4.5m (14ft 9in)		6m (19ft 8in)		7.5m (24ft 7in)		Capacity at Max Reach		
Load Point Ht.	kg	kg	kg	kg	kg	kg	kg	kg	kg	kg	mm
9.0m (29.5ft)	5690*	5690*							5240*	5240*	3123
7.5m (24.7ft)			5230*	5230*					3530*	3530*	5463
6.0m (19.8ft)	4290*	4290*	5030*	5030*	4950*	3400			3040*	2760	6720
4.5m (14.9ft)	5630*	5630*	5900*	5150	5110	3310			2850*	2300	7472
3.0m (9.10ft)			7680	4750	4920	3150	3510	2250	2800*	2070	7869
1.5m (4.11ft)			7260	4380	4740	2980	3440	2180	2880*	2000	7964
0m			7040	4190	4610	2860	3390	2140	3060*	2050	7770
- 1.5m (- 4.11ft)	6280*	6280*	7000	4160	4580	2830			3470*	2250	7261
- 3.0m (- 9.10ft)			5060*	4250	3400*	2920			3410*	2920	5997

LIFT CAPACITIES – Dipper Length: 2.70m, 5.35m T.A.B., Trackshoes: 500mm, No bucket.

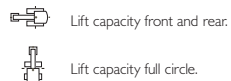
JS I80 NLC T.A.B.

Reach	3m (9ft 10in)		4.5m (14ft 9in)		6m (19ft 8in)		7.5m (24ft 7in)		Capacity at Max Reach		
Load Point Ht.	kg	kg	kg	kg	kg	kg	kg	kg	kg	kg	mm
9.0m (29.5ft)	5100*	5100*							3570*	3570*	4111
7.5m (24.7ft)			4370*	4370*	3040*	3040*			2700*	2700*	6074
6.0m (19.8ft)			4160*	4160*	4280*	3490			2390*	2390*	7224
4.5m (14.9ft)	4040*	4040*	4710*	4710*	4800*	3380	3620	2350	2260*	2110	7928
3.0m (9.10ft)			7810	4850	4980	3190	3540	2280	2250*	1920	8302
1.5m (4.11ft)			7310	4420	4760	2990	3450	2190	2300*	1850	8393
0m	4320*	4320*	7020	4160	4600	2850	3370	2120	2460*	1890	8208
- 1.5m (- 4.11ft)	6590*	6590*	6920	4090	4540	2790	3370	2110	2750*	2050	7729
- 3.0m (- 9.10ft)	7190*	7190*	5790*	4140	4210*	2830			2930*	2440	6837

LIFT CAPACITIES – Dipper Length: 3.05m, 5.35m T.A.B., Trackshoes: 500mm, No bucket.

JS I80 NLC T.A.B.

Reach	3m (9ft 10in)		4.5m (14ft 9in)		6m (19ft 8in)		7.5m (24ft 7in)		Capacity at Max Reach		
Load Point Ht.	kg	kg	kg	kg	kg	kg	kg	kg	kg	kg	mm
9.0m (29.5ft)			3530*	3530*					2880*	2880*	4759
7.5m (24.7ft)			3800*	3800*	3400*	3400*			2270*	2270*	6526
6.0m (19.8ft)			3550*	3550*	3780*	3500	2480*	2350	2040*	2040*	7606
4.5m (14.9ft)	3160*	3160*	3910*	3910*	4160*	3390	3620	2340	1940*	1940	8277
3.0m (9.10ft)	11140*	9170	6740*	4910	4990	3200	3530	2260	1910*	1770	8637
1.5m (4.11ft)			7370	4470	4760	2990	3420	2160	1970*	1710	8723
0m	4660*	4660*	7030	4170	4580	2830	3340	2080	2100*	1740	8546
- 1.5m (- 4.11ft)	6400*	6400*	6900	4060	4500	2750	3300	2050	2350*	1880	8087
- 3.0m (- 9.10ft)	7960*	7590	6280*	4080	4510	2760			2790*	2190	7293



Notes:

1. For lifting capacity including bucket, subtract total weight of bucket or bucket and quickhitch from above values.
2. Lifting capacities are based on ISO 10567, that is: 75% of minimum tipping load or 87% of hydraulic lift capacity, whichever is the less. Lifting capacities marked* are based on hydraulic capacity.
3. Lift capacities assume that the machine is on firm, level ground.
4. Lift capacities may be limited by local regulations. Please refer to your dealer.



JCB TRACKED EXCAVATOR | JS 180 NLC/LC



LIFT CAPACITIES – Dipper Length: 2.25m, 5.35m T.A.B., Trackshoes: 700mm, No bucket.

JS 180 LC T.A.B.

Reach	3m (9ft 10in)		4.5m (14ft 9in)		6m (19ft 8in)		7.5m (24ft 7in)		Capacity at Max Reach		
Load Point Ht.	kg	kg	kg	kg	kg	kg	kg	kg	kg	kg	mm
9.0m (29.5ft)	5690*	5690*							5240*	5240*	3123
7.5m (24.7ft)			5230*	5230*					3530*	3530*	5463
6.0m (19.8ft)	4290*	4290*	5030*	5030*	4950*	3820			3040*	3040*	6720
4.5m (14.9ft)	5630*	5630*	5900*	5810	5710*	3730			2850*	2600	7472
3.0m (9.10ft)			8180*	5400	5650	3560	4020	2550	2800*	2360	7869
1.5m (4.11ft)			8470	5020	5460	3390	3940	2490	2880*	2280	7964
0m			8240	4830	5330	3270	3900	2440	3060*	2340	7770
- 1.5m (- 4.11ft)	6280*	6280*	7190*	4790	5290	3240			3470*	2570	7261
- 3.0m (- 9.10ft)			5060*	4880	3400*	3330			3410*	3330	5997

LIFT CAPACITIES – Dipper Length: 2.70m, 5.35m T.A.B., Trackshoes: 700mm, No bucket.

JS 180 LC T.A.B.

Reach	3m (9ft 10in)		4.5m (14ft 9in)		6m (19ft 8in)		7.5m (24ft 7in)		Capacity at Max Reach		
Load Point Ht.	kg	kg	kg	kg	kg	kg	kg	kg	kg	kg	mm
9.0m (29.5ft)	5100*	5100*							3570*	3570*	4111
7.5m (24.7ft)			4370*	4370*	3040*	3040*			2700*	2700*	6074
6.0m (19.8ft)			4160*	4160*	4280*	3910			2390*	2390*	7224
4.5m (14.9ft)	4040*	4040*	4710*	4710*	4800*	3800	3760*	2650	2260*	2260*	7928
3.0m (9.10ft)			7850*	5510	5710	3610	4050	2580	2250*	2190	8302
1.5m (4.11ft)			8540	5070	5480	3410	3950	2490	2300*	2120	8393
0m	4320*	4320*	8220	4800	5320	3260	3880	2430	2460*	2160	8208
- 1.5m (- 4.11ft)	6590*	6590*	7610*	4720	5250	3200	3870	2420	2750*	2340	7729
- 3.0m (- 9.10ft)	7190*	7190*	5790*	4780	4210*	3250			2930*	2790	6837

LIFT CAPACITIES – Dipper Length: 3.05m, 5.35m T.A.B., Trackshoes: 700mm, No bucket.

JS 180 LC T.A.B.

Reach	3m (9ft 10in)		4.5m (14ft 9in)		6m (19ft 8in)		7.5m (24ft 7in)		Capacity at Max Reach		
Load Point Ht.	kg	kg	kg	kg	kg	kg	kg	kg	kg	kg	mm
9.0m (29.5ft)			3530*	3530*					2800*	2880*	4759
7.5m (24.7ft)			3800*	3800*	3400*	3400*			2270*	2270*	6526
6.0m (19.8ft)			3550*	3550*	3780*	3780*	2480*	2480*	2040*	2040*	7606
4.5m (14.9ft)	3160*	3160*	3910*	3910*	4160*	3810	3650*	2650	1940*	1940*	8277
3.0m (9.10ft)	11140*	10580	6740*	5570	5360*	3620	4040	2570	1910*	1910*	8637
1.5m (4.11ft)			8410*	5110	5490	3410	3930	2470	1970*	1960	8723
0m	4660*	4660*	8240	4810	5300	3240	3840	2390	2100*	2000	8546
- 1.5m (- 4.11ft)	6400*	6400*	7870*	4690	5210	3160	3810	2360	2350*	2150	8087
- 3.0m (- 9.10ft)	7960*	7960*	6280*	4720	4620*	3180			2790*	2510	7293



Lift capacity front and rear.



Lift capacity full circle.

Notes:

1. For lifting capacity including bucket, subtract total weight of bucket or bucket and quickhitch from above values.
2. Lifting capacities are based on ISO 10567, that is: 75% of minimum tipping load or 87% of hydraulic lift capacity, whichever is the less. Lifting capacities marked* are based on hydraulic capacity.
3. Lift capacities assume that the machine is on firm, level ground.
4. Lift capacities may be limited by local regulations. Please refer to your dealer.



A GLOBAL COMMITMENT TO QUALITY

JCB's total commitment to its products and customers has helped it grow from a one-man business into Britain's largest privately owned manufacturer of backhoe loaders, crawler excavators, wheeled excavators, telescopic handlers, wheeled loaders, dump trucks, rough terrain fork lifts, industrial fork lifts, mini/midi excavators, skid steer loaders and tractors.

By making constant and massive investments in the latest production technology, the JCB factories have become some of the most advanced in Europe.

By leading the field in innovative research and design, extensive testing and stringent quality control, JCB machines have become renowned all over the world for performance, value and reliability.

And with a global sales and service network of over 400 distributors and agents, the company exports over 70% of its production to all five continents.

Through setting the standards by which others are judged, JCB has become one of Britain's most impressive success stories.

