



JCB TRACKED EXCAVATOR | JS 160 NLC/LC

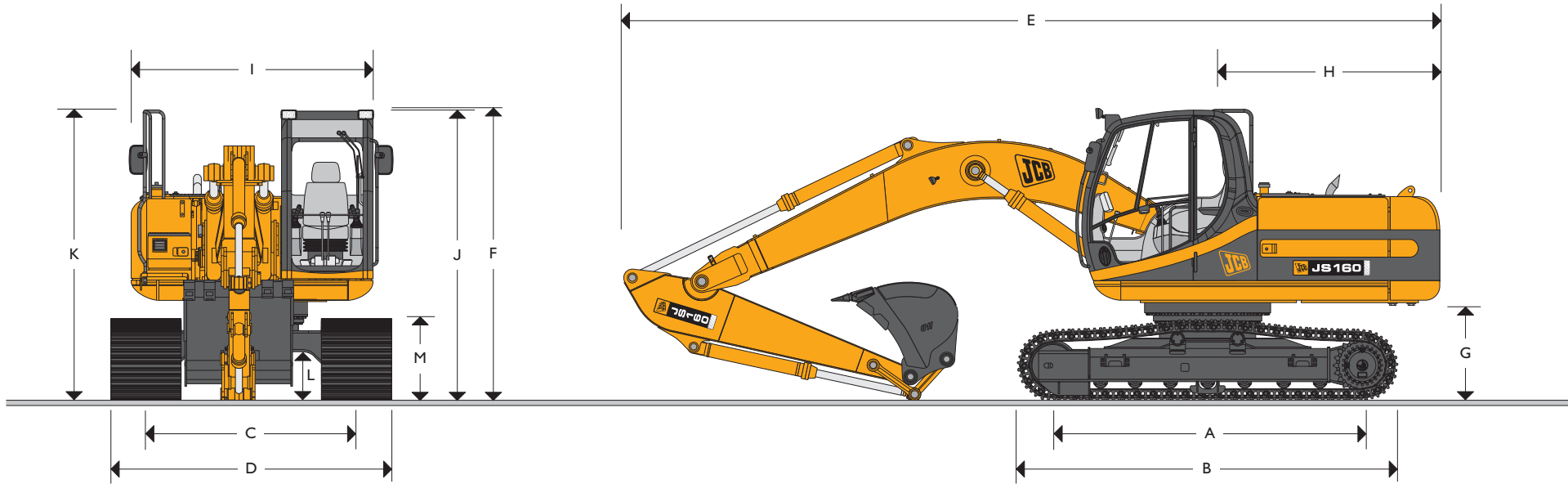


MAX. OPERATING WEIGHT

17925 kg (39518 lb)

NETT ENGINE POWER

92 kW (123 hp)



STATIC DIMENSIONS – JS160 NLC/LC MONOBOOM

Dimensions in millimetres (ft-in)	NLC	LC	
A Track length on ground	3090 (10-2)	3090 (10-2)	
B Undercarriage overall length	3940 (12-11)	3940 (12-11)	
C Track gauge	1990 (6-6)	2200 (7-3)	
D Width over tracks (500mm trackshoes)	2490 (8-2)	–	
D Width over tracks (600mm trackshoes)	2590 (8-6)	2800 (9-2)	
D Width over tracks (700mm trackshoes)	2690 (8-10)	2900 (9-6)	
D Width over tracks (800mm trackshoes)	–	3000 (9-10)	
D Width over tracks (900mm trackshoes)	–	3100 (10-2)	
Dipper lengths	2.25m (7ft 5in)	2.7m (8ft 10in)	3.05m (10ft 0in)
E Transport length with Monoboom	8338 (27-4)	8298 (27-2)	8388 (27-6)
F Transport height with Monoboom	2992 (9-9)	2992 (9-9)	2992 (9-9)

Dimensions in millimetres (ft-in)	NLC & LC
G Counterweight clearance	1050 (3-5)
H Tail swing radius	2338 (7-8)
I Width of superstructure	2470 (8-1)
J Height over cab	2965 (9-8)
K Height over grab rail	2992 (9-9)
L Ground clearance	470 (1-7)
M Track height	880 (2-11)



JCB TRACKED EXCAVATOR | JS 160 NLC/LC

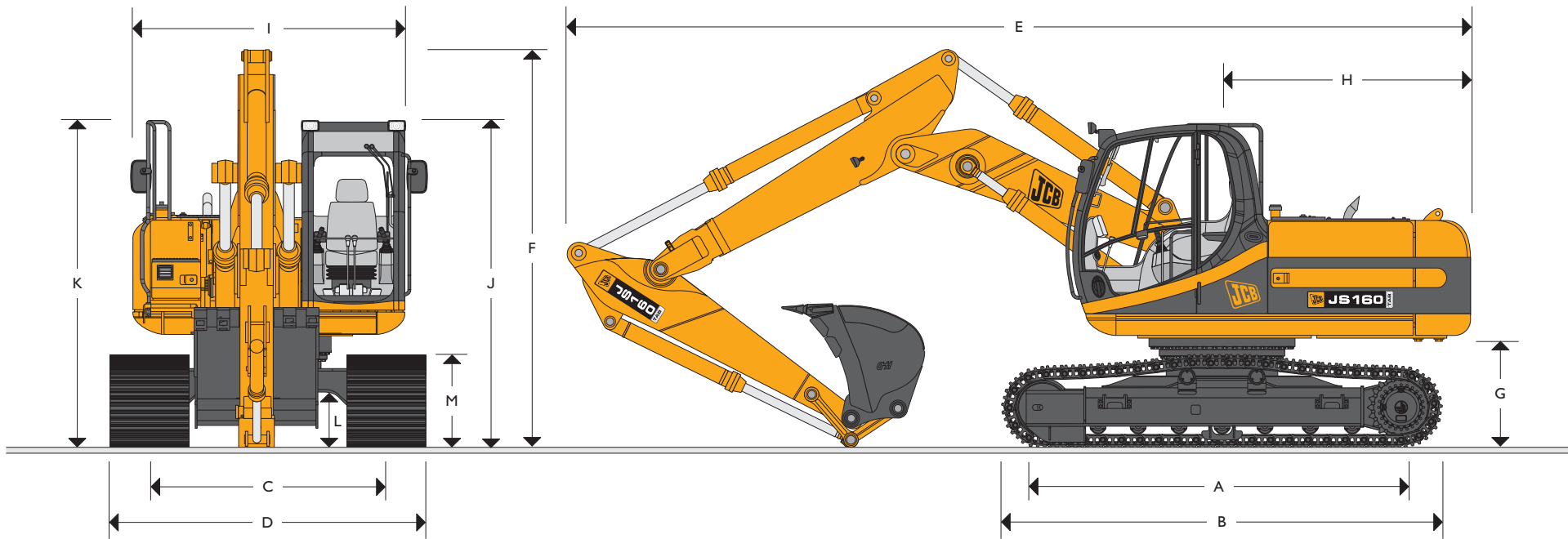


MAX. OPERATING WEIGHT

18410 kg (40587 lb)

NETT ENGINE POWER

92 kW (123 hp)



STATIC DIMENSIONS – JS160 NLC/LC T.A.B.

Dimensions in millimetres (ft-in)	NLC	LC	
A Track length on ground	3090 (10-2)	3090 (10-2)	
B Undercarriage overall length	3940 (12-11)	3940 (12-11)	
C Track gauge	1990 (6-6)	2200 (7-3)	
D Width over tracks (500mm trackshoes)	2490 (8-2)	–	
D Width over tracks (600mm trackshoes)	2590 (8-6)	2800 (9-2)	
D Width over tracks (700mm trackshoes)	2690 (8-10)	2900 (9-6)	
D Width over tracks (800mm trackshoes)	–	3000 (9-10)	
D Width over tracks (900mm trackshoes)	–	3100 (10-2)	
Dipper lengths	2.25m (7ft 5in)	2.7m (8ft 10in)	3.05m (10ft 0in)
E Transport length with Monoboom	8624 (28-3)	8646 (28-4)	8616 (28-3)
F Transport height with Monoboom	2854 (9-4)	2738 (9-0)	2801 (9-2)

Dimensions in millimetres (ft-in)	NLC & LC
G Counterweight clearance	1050 (3-5)
H Tail swing radius	2338 (7-8)
I Width of superstructure	2470 (8-1)
J Height over cab	2965 (9-8)
K Height over grab rail	2992 (9-9)
L Ground clearance	470 (1-7)
M Track height	880 (2-11)



JCB TRACKED EXCAVATOR | JS I60 NLC/LC



ENGINE

Model	Isuzu 4JJ1X European Tier III emissions compliant.
Type	Water cooled, 4-stroke, 4-cylinder in-line, direct injection, turbocharged diesel.
Nett power (ISO 3046- INF)	92kW (123hp) at 2200rpm.
Piston Displacement	2.999 litres.
Injection	Electronic governor.
Air Filtration	Dry element with secondary safety element and in cab warning indicator.
Cooling	Large capacity radiator.
Starting system	24 volt – 4.5kW.
Batteries	2 x 12 volt Heavy Duty.
Alternator	24 volt 50 amp.
Refuelling pump	Electric type.

SWING SYSTEM

Swing motor	Axial piston type.
Swing brake	Hydraulic braking plus automatic spring applied disc type parking brake.
Final drive	Planetary reduction.
Swing speed	10 rpm.
Swing gear	Large diameter, internally toothed fully sealed grease bath lubricated.
Swing lock	Multi position switchable brake.

UNDERCARRIAGE

Carriage options	NLC – Narrow long carriage and LC – Long carriage.	
Construction	Fully welded, "X" frame type with central bellyguarding and sloping sidemembers with dirt relief holes under top rollers.	
Recovery point	Front and rear.	
Upper & lower rollers	Heat treated, sealed and lubricated.	
Track adjustment	Grease cylinder type.	
Track type	Sealed and lubricated.	
Track idler	Sealed and lubricated, with spring cushioned recoil.	
Track shoes	500mm (20in.) triple grouser	
	600mm (24in.) triple grouser	
	700mm (28in.) triple grouser	
	800mm (33in.) triple grouser	
	900mm (35in.) triple grouser	
Rollers and Shoes (each side)	Upper rollers	2
	Lower rollers	7
	Track shoes	43
	Track guides	1

HYDRAULIC SYSTEM

A variable flow load sensing system with flow on demand, variable power output and servo operated, multi-function open centre control. Machine auto warm up standard – maximises performance in cold conditions.

Pumps

Main pumps	2 variable displacement axial piston type.
Maximum flow	2 x 138 L/min (2 x 30.4 UK GPM).
Servo pump	Gear type.
Maximum flow	22 L/min (4.84 UK GPM).

Control valve

A combined ten spool control valve with auxiliary service spool as standard. When required twin pump flow is combined to boom and dipper services for greater speed and efficiency.

Relief valve settings

Boom/Arm/Bucket	314 bar (4554lbf/sq.in)
With power boost	343 bar (4975lbf/sq.in)
Swing circuit	279 bar (4045lbf/sq.in)
Travel circuit	343 bar (4975lbf/sq.in)
Pilot control	40 bar (569lbf/sq.in)

A separate Cushion Control valve in the servo system provides cushioning of the boom and dipper spools selection and quick warm-up of the servo system.

Hydraulic cylinders

Double acting type, with bolt-up end caps and hardened steel bearing bushes. End cushioning is fitted as standard on boom, dipper and bucket rams.

Optional hose burst check valves available for boom and dipper rams.

Filtration

The hydraulic components are protected by the highest standard of filtration to ensure long hydraulic fluid and component life.

In tank	150 micron, suction strainer.
Main return line	10 micron, fibreform element.
Plexus Bypass line	1.5 micron, paper element.
Pilot line	10 micron, paper element.
Hydraulic hammer return	10 micron, reinforced microform element.

Cooling

Worldwide cooling is provided as part of a single face cooling pack, in conjunction with the engine water cooler.

TRACK DRIVE

Type	Fully hydrostatic, three speed with autoshift between high and medium speed.
Travel motors	Variable swash axial piston type, fully guarded within undercarriage frame.
Final drive	Planetary reduction, bolt-on sprockets.
Service brake	Hydraulic counter balance valve to prevent overspeeding on gradients.
Park brake	Disc type, spring applied, automatic hydraulic release.
Gradeability	70% (35 deg) continuous.
Travel speed	High – 5.0 km/h (3.1 mph). Mid – 2.8 km/h (1.7 mph). Low – 1.8 km/h (1.1 mph).
Tractive effort	144kN (14684kgf, 32372lbf).



JCB TRACKED EXCAVATOR | JS I60 NLC/LC



EXCAVATOR END – MONOBOOM

Monoboom available along with a choice of dipper lengths to suit the requirements of reach, dig-depth, loadover height, tearouts and site versatility. Reserve strength is built into the fully welded structures for hydraulic hammer and other arduous operations. Fabricated bucket tipping links are provided with a choice of lift points. Strong, durable construction, large cross sections and multi plate fabrications to withstand high stress applications. The 5.15m (16ft 11 in) boom is designed to ensure the optimum digging envelope when matched with the three dipper lengths. Low maintenance bronze alloy bushes with graphite plugs are fitted to boom base and boom to dipper pivots resulting in 1000 hour greasing intervals at these points.

EXCAVATOR END – T.A.B.

Triple Articulated Boom (T.A.B.) with a choice of dipper lengths to suit the requirements of reach, dig-depth, loadover height, tearouts and site versatility. Reserve strength is built into the fully welded structures for hydraulic hammer and other arduous operations. Fabricated bucket tipping links are provided with a choice of lift points.

CAB

Excellent digging, loading and positioning visibility results from the careful design of front, side and roof lights. All screens are tinted to improve in cab conditions. Fully opening front screen is very smooth to operate and as the lower screen is stored within the top screen frame it makes complete front screen opening easy, fast and convenient. Fresh air ventilation available from opening door window, opening slot in front screen and fully opening front screen. Parallelogram wash wiper for upper screen ensuring good wiped area for maximum visibility. Wiper motor is fitted in the left hand side of the roof screen so as not to affect bucket visibility when loading. Optional lower screen wiper available. Fresh air ventilation and heater with windscreen demister. Infinitely variable blower speed, temperature and recirculation control. Optional climate control. Fully adjustable deluxe suspension seat with arm rest adjustment and backrest recline. Optional radio with digital tuner fitted into the roof lining for maximum protection. Conveniently placed radio mute button incorporated into lower console. 12v power point and mobile phone holder built into the right hand console. Courtesy light can be operated from ground level and is illuminated for five minutes or until switched off improving operator access at night. Cab mounted roller blind protects operator from suns' glare through front or top screens.

AMS – ADVANCED MANAGEMENT SYSTEM

Four selectable working modes link the operators control movements with the engine and hydraulic systems to maximise productivity and efficiency.

A (Auto)

Up to 100% engine power and 100% flow. Gives variable power and speed depending on the operator's input, matching the demand for output and efficiency to the job. Power boost is automatically activated in this mode should hard conditions be encountered. Auto idle cuts in after a period of inactivity (between 5 and 30 seconds as set by the operator)

E (Economy)

80% engine power. 95% of hydraulic flow maximises economy while maintaining excellent output.

P (Precision)

55% engine power. 90% of hydraulic flow for fine control of grading operations.

L (Lifting)

55% engine power. 63% of hydraulic flow with permanent power boost for maximum lifting power and control.

The Auto mode allows the AMS processor to select the optimum operational performance to match the demands of the job while the three alternative modes give precise matching of application when specific tasks are undertaken.

The adjustable position monitor mounted on the front right hand pillar of the cab gives the operator a constant read out of mode, tracking range, operating temperature and a host of other information, while retaining excellent visibility of the monitor and the job being carried out.

The required flow for hammer applications can be set and stored in the AMS memory and is automatically activated whenever the hammer pedal is depressed.

A maintenance indicator warns of imminent service needs, and all servicing and basic checks can be carried out using only the in cab display.

CONTROLS

Excavator

Tracks

All servo lever operated to ISO control pattern, independently adjustable to the seat.

Individually servo operated by foot pedal or hand lever.

Speed selection via joystick button.

Via servo operated foot pedal.

Auxiliary

Control isolation

Via gate lock lever at cab entrance or panel switch.

Engine speed

Dial type throttle control plus servo lever mounted one-touch idle control or separate selectable auto-idle with adjustable time delay using AMS.

Engine stop

Ignition key operated and separate shut-down button.

Horn

Operated via servo lever mounted button.



JCB TRACKED EXCAVATOR | JS I60 NLC/LC



SERVICE CAPACITIES

	Litres	UK Gal
Fuel tank	253	55.6
Engine coolant	16.4	3.6
Engine oil	13.2	2.9
Swing reduction gear	6	1.3
Track reduction gear (each side)	4.4	1.0
Hydraulic system	142	31.2
Hydraulic tank	73.0	16.1

WEIGHTS AND GROUND BEARING PRESSURES

JSI60 NLC/LC – Machine equipped with 5.15m Monoboom, 3.05m Dipper, 0.9m³ Bucket, operator and full fuel tank.

Shoe Width/Undercarriage	Operating Weight	Bearing Pressure
500mm (20in.) / NLC	16985kg (37445lb)	0.48kg/sq. cm. (6.83lb/sq. in.)
600mm (24in.) / LC	17205kg (37930lb)	0.41 kg/sq. cm. (5.83lb/sq. in.)
700mm (28in.) / LC	17455kg (38481lb)	0.35kg/sq. cm. (4.98lb/sq. in.)
800mm (33in.) / LC	17695kg (39010lb)	0.31kg/sq. cm. (4.41lb/sq. in.)
900mm (33in.) / LC	17925kg (39517lb)	0.28kg/sq. cm. (3.98lb/sq. in.)

JSI60 NLC/LC T.A.B. – Machine equipped with 5.35m T.A.B. boom, 3.05m Dipper, 0.9m³ Bucket, operator and full fuel tank.

Shoe Width/Undercarriage	Operating Weight	Bearing Pressure
500mm (20in.) / NLC	17470kg (38515lb)	0.49kg/sq. cm. (6.97lb/sq. in.)
600mm (24in.) / LC	17690kg (39000lb)	0.42kg/sq. cm. (5.97lb/sq. in.)
700mm (28in.) / LC	17940kg (39551lb)	0.36kg/sq. cm. (5.12lb/sq. in.)
800mm (33in.) / LC	18180kg (40080lb)	0.32kg/sq. cm. (4.55lb/sq. in.)
900mm (33in.) / LC	18410kg (40587lb)	0.29kg/sq. cm. (4.12lb/sq. in.)

STANDARD EXCAVATING BUCKETS

All buckets are JCB – Esco type fully welded steel, with sealed, hardened steel pivot pins and replaceable wear parts.

Max Width	Capacity (SAE heaped)	Weight
600mm (24in.)	0.35cu.m (0.46cu.yd)	426kg (937lb)
750mm (30in.)	0.49cu.m (0.64cu.yd)	480kg (1056lb)
900mm (36in.)	0.62cu.m (0.81 cu.yd)	525kg (1155lb)
1000mm (40in.)	0.72cu.m (0.94cu.yd)	564kg (1240lb)
1200mm (48in.)	0.90cu.m (1.18cu.yd)	633kg (1392lb)

STANDARD / OPTIONAL EQUIPMENT

Standard Equipment: Engine fan guard; Cold start pre-heat; Auto engine warm up; Double element air cleaner; Heavy duty alternator; Electrics isolator; Heavy duty batteries; Cab & engine soundproofing; Cab heater & screen demister; Tinted glass; Interior light; Coat hook; Cigarette lighter; Ashtray; Operator's storage shelf; Removable floor mat; Windscreen wash/wipe; Plug-in power socket; Automatic power boost; Auto-idle; One-touch engine speed control; Hydraulic cushion control; Plexus hydraulic oil filtration; HSP pressure test points; Auxiliary pipework mounting brackets; Work lights – boom & mainframe mounted; Undercarriage belly guarding; Upper structure under covers; Swing system cover; External mirrors; Handrail & non slip walk ways; Quick connect engine oil drain pipe; Front screen blind; Quick connect fuel tank drain pipe; Hinged engine under cover; Central track guide; Remote filter system.

Optional Equipment: Hose burst check valves & overload warning system; Tipping link mounted lift points; General purpose buckets; Ditch/grading buckets; Quickhitch buckets; Hydraulic hammers; Auxiliary pipework (full and low flow); Climate control; Cab mounted & rear work lights; Rotating beacon; Rain guard; Biodegradable oil; Air suspension seat with heated pad and lumbar support adjustment; Electric refuelling pump; Track guides; Lower screen wiper; Radio; High and low temperature hydraulic oil option.



JCB TRACKED EXCAVATOR | JS I60 NLC/LC



WORKING RANGE – JSI60 NLC/LC MONOBOOM

Boom length: 5.15m (16ft 11in)

Dipper length:		2.25m (7ft 5in)
A	Maximum digging reach	mm (ft-in) 8507 (27-11)
B	Maximum digging reach (on ground)	mm (ft-in) 8326 (27-4)
C	Maximum digging depth	mm (ft-in) 5482 (17-11)
D	Maximum digging height	mm (ft-in) 8863 (29-1)
E	Maximum dumping height	mm (ft-in) 6535 (21-5)
F	Maximum vertical wall cut depth	mm (ft-in) 4912 (16-1)
G	Minimum swing radius	mm (ft-in) 3000 (9-10)
	Bucket rotation	182°
	Maximum dipper tearout (ISO 6015)	kgf (lbf) 8754 (19259)
	Maximum bucket tearout (ISO 6015)	kgf (lbf) 11839 (26104)

Dipper length:

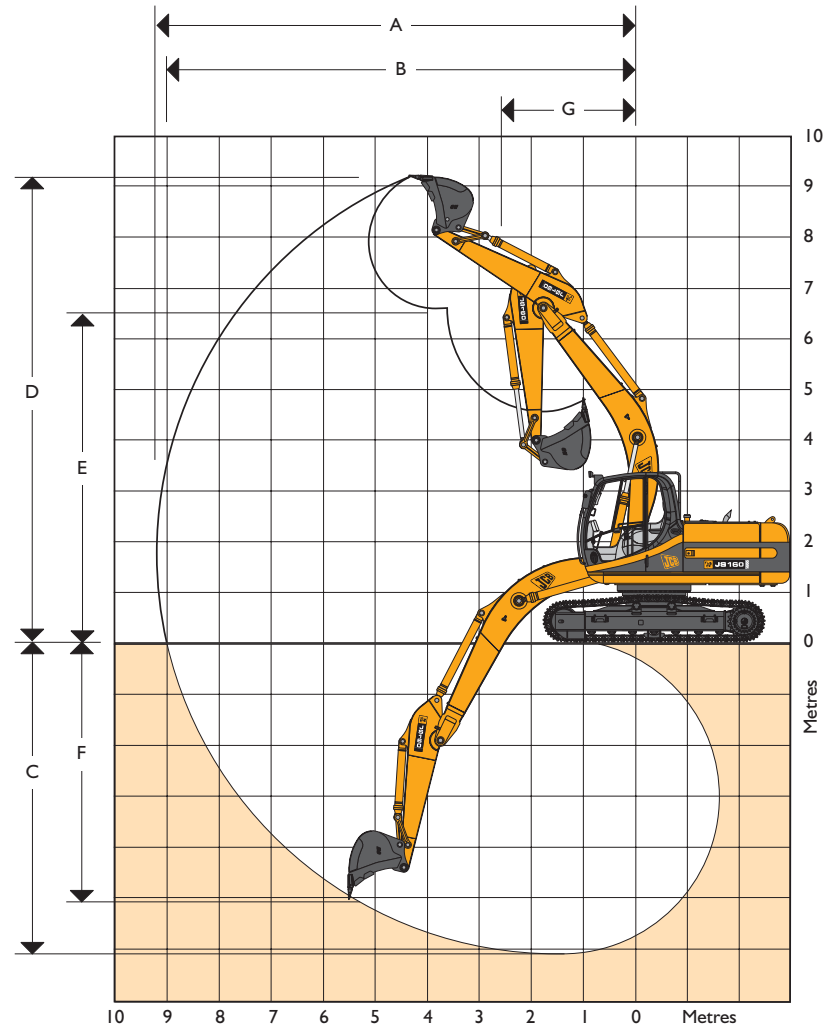
2.70m (8ft 10in)

A	Maximum digging reach	mm (ft-in) 8908 (29-3)
B	Maximum digging reach (on ground)	mm (ft-in) 8735 (28-7)
C	Maximum digging depth	mm (ft-in) 5940 (19-6)
D	Maximum digging height	mm (ft-in) 9050 (29-8)
E	Maximum dumping height	mm (ft-in) 6726 (22-1)
F	Maximum vertical wall cut depth	mm (ft-in) 5370 (17-7)
G	Minimum swing radius	mm (ft-in) 3000 (9-10)
	Bucket rotation	182°
	Maximum dipper tearout (ISO 6015)	kgf (lbf) 7619 (16764)
	Maximum bucket tearout (ISO 6015)	kgf (lbf) 11839 (26104)

Dipper length:

3.05m (10ft 0in)

A	Maximum digging reach	mm (ft-in) 9223 (30-3)
B	Maximum digging reach (on ground)	mm (ft-in) 9056 (29-8)
C	Maximum digging depth	mm (ft-in) 6286 (20-7)
D	Maximum digging height	mm (ft-in) 9219 (30-3)
E	Maximum dumping height	mm (ft-in) 6891 (22-2)
F	Maximum vertical wall cut depth	mm (ft-in) 5646 (18-6)
G	Minimum swing radius	mm (ft-in) 3000 (9-10)
	Bucket rotation	182°
	Maximum dipper tearout (ISO 5016)	kgf (lbf) 7003 (15406)
	Maximum bucket tearout (ISO 5016)	kgf (lbf) 11839 (26104)





JCB TRACKED EXCAVATOR | JS I60 NLC/LC



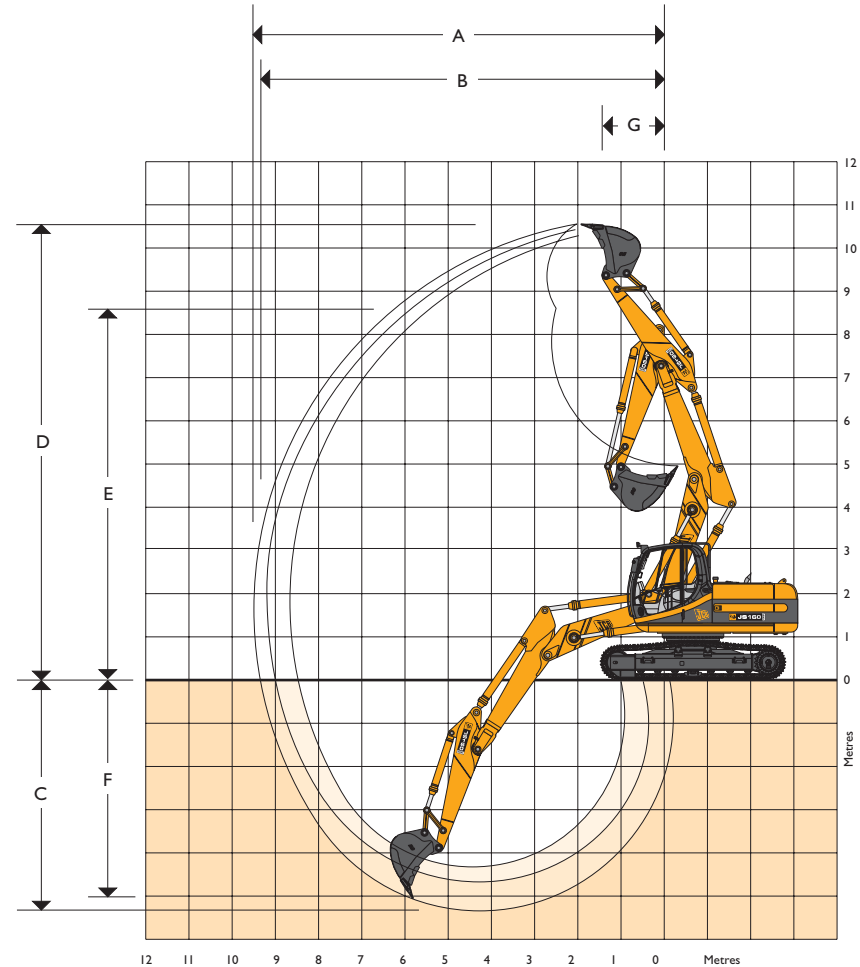
WORKING RANGE – JS I60 NLC/LC T.A.B.

T.A.Boom length: 5.35m (16ft 11in)

Dipper length:		2.25m (7ft 5in)
A	Maximum digging reach	mm (ft-in) 8831 (28-11)
B	Maximum digging reach (on ground)	mm (ft-in) 8652 (28-5)
C	Maximum digging depth	mm (ft-in) 5376 (17-8)
D	Maximum digging height	mm (ft-in) 10226 (33-7)
E	Maximum dumping height	mm (ft-in) 7976 (26-2)
F	Maximum vertical wall cut depth	mm (ft-in) 4254 (13-11)
G	Minimum swing radius	mm (ft-in) 2170 (7-1)
	Bucket rotation	182°
	Maximum dipper tearout (ISO 6015)	kgf (lbf) 8754 (19259)
	Maximum bucket tearout (ISO 6015)	kgf (lbf) 11839 (26104)

Dipper length:		2.70m (8ft 10in)
A	Maximum digging reach	mm (ft-in) 9260 (30-5)
B	Maximum digging reach (on ground)	mm (ft-in) 9094 (29-10)
C	Maximum digging depth	mm (ft-in) 5808 (19-0)
D	Maximum digging height	mm (ft-in) 10652 (34-11)
E	Maximum dumping height	mm (ft-in) 8366 (27-5)
F	Maximum vertical wall cut depth	mm (ft-in) 4721 (15-6)
G	Minimum swing radius	mm (ft-in) 2227 (7-3)
	Bucket rotation	182°
	Maximum dipper tearout (ISO 6015)	kgf (lbf) 7619 (16764)
	Maximum bucket tearout (ISO 6015)	kgf (lbf) 11839 (26104)

Dipper length:		3.05m (10ft 0in)
A	Maximum digging reach	mm (ft-in) 9592 (31-6)
B	Maximum digging reach (on ground)	mm (ft-in) 9463 (31-1)
C	Maximum digging depth	mm (ft-in) 6130 (20-1)
D	Maximum digging height	mm (ft-in) 10800 (35-5)
E	Maximum dumping height	mm (ft-in) 8667 (28-5)
F	Maximum vertical wall cut depth	mm (ft-in) 5233 (17-2)
G	Minimum swing radius	mm (ft-in) 2587 (8-6)
	Bucket rotation	182°
	Maximum dipper tearout (ISO 5016)	kgf (lbf) 7003 (15406)
	Maximum bucket tearout (ISO 5016)	kgf (lbf) 11839 (26104)





JCB TRACKED EXCAVATOR | JS I60 NLC/LC



LIFT CAPACITIES – Dipper Length: 2.25m, 5.15m Monoboom, Trackshoes: 500mm, No bucket.

JS I60 NLC MONO

Reach	1.5m (4ft 11in)		3m (9ft 10in)		4.5m (14ft 9in)		6m (19ft 8in)		7.5m (24ft 7in)		Capacity at Max Reach			
											kg		kg	mm
Load Point Ht.	kg	kg												
7.5m (24.7ft)												3340*	3340*	4922
6.0m (19.8ft)							4010*	3240				2940*	2940*	6295
4.5m (14.9ft)					5160*	4950	4760*	3190				2810*	2420	7099
3.0m (9.10ft)			9960*	8380	6530*	4620	4770	3050	2990*	2180		2850*	2170	7520
1.5m (4.11ft)					7080	4290	4600	2900	3330	2120		3010*	2070	7624
0m			5970*	5970*	6850	4100	4480	2790				3340	2110	7425
- 1.5m (- 4.11ft)	5690*	5690*	9290*	7440	6790	4040	4440	2760				3690	2320	6895
- 3.0m (- 9.10ft)	10110*	10110*	11330*	7570	6850	4100						4580	2860	5945
- 4.5m (- 14.9ft)			8140*	7880								5990*	4620	4298

LIFT CAPACITIES – Dipper Length: 2.70m, 5.15m Monoboom, Trackshoes: 500mm, No bucket.

JS I60 NLC MONO

Reach	1.5m (4ft 11in)		3m (9ft 10in)		4.5m (14ft 9in)		6m (19ft 8in)		7.5m (24ft 7in)		Capacity at Max Reach			
											kg		kg	mm
Load Point Ht.	kg	kg												
7.5m (24.7ft)												2560*	2560*	5529
6.0m (19.8ft)							3870*	3270				2310*	2310*	6778
4.5m (14.9ft)							4390*	3190	2360*	2210		2230*	2190	7529
3.0m (9.10ft)			8560*	8540	5990*	4620	4720	3030	3350	2160		2260*	1970	7928
1.5m (4.11ft)			5740*	5740*	6980	4240	4530	2860	3270	2080		2390*	1880	8026
0m			5880*	5880*	6690	3990	4380	2720	3200	2020		2640*	1900	7837
- 1.5m (- 4.11ft)	4960*	4960*	9140*	7110	6580	3900	4310	2660				3100*	2060	7338
- 3.0m (- 9.10ft)	8830*	8830*	12000*	7220	6610	3920	4340	2690				3940	2460	6455
- 4.5m (- 14.9ft)			9440*	7500	6480*	4100						5580*	3600	4984

LIFT CAPACITIES – Dipper Length: 3.05m, 5.15m Monoboom, Trackshoes: 500mm, No bucket.

JS I60 NLC MONO

Reach	1.5m (4ft 11in)		3m (9ft 10in)		4.5m (14ft 9in)		6m (19ft 8in)		7.5m (24ft 7in)		Capacity at Max Reach			
											kg		kg	mm
Load Point Ht.	kg	kg												
7.5m (24.7ft)												2160*	2160*	5982
6.0m (19.8ft)							3590*	3300				1970*	1970*	7151
4.5m (14.9ft)							4060*	3220	2900*	2220		1910*	1910*	7866
3.0m (9.10ft)			7550*	7550*	5530*	4720	4710*	3060	3340	2160		1930*	1840	8248
1.5m (4.11ft)			8470*	7780	7030	4330	4520	2880	3240	2080		2040*	1760	8343
0m			6480*	6480*	6700	4050	4360	2730	3170	2000		2250*	1780	8161
- 1.5m (- 4.11ft)	4700*	4700*	8810*	7190	6560	3920	4270	2650	3130	1970		2630*	1910	7683
- 3.0m (- 9.10ft)	7930*	7930*	12430*	7260	6550	3920	4270	2650				3390*	2250	6846
- 4.5m (- 14.9ft)	12260*	12260*	10250*	7490	6700	4040						5000	3120	5483

Lift capacity front and rear.

Lift capacity full circle.

Notes:

1. For lifting capacity including bucket, subtract total weight of bucket or bucket and quickhitch from above values.
2. Lifting capacities are based on ISO 10567, that is: 75% of minimum tipping load or 87% of hydraulic lift capacity, whichever is the less. Lifting capacities marked* are based on hydraulic capacity.
3. Lift capacities assume that the machine is on firm, level ground.
4. Lift capacities may be limited by local regulations. Please refer to your dealer.



JCB TRACKED EXCAVATOR | JS I60 NLC/LC



LIFT CAPACITIES – Dipper Length: 2.25m, 5.15m Monoboom, Trackshoes: 700mm, No bucket.

JSI60 LC MONO

Reach	1.5m (4ft 11in)		3m (9ft 10in)		4.5m (14ft 9in)		6m (19ft 8in)		7.5m (24ft 7in)		Capacity at Max Reach				
													kg	kg	mm
Load Point Ht.	kg	kg	kg	kg	kg	kg	kg	kg	kg	kg	kg	kg	kg	mm	
7.5m (24.7ft)													3340*	3340*	4922
6.0m (19.8ft)							4010*	3590					2940*	2940*	6295
4.5m (14.9ft)					5160*	5160*	4760*	3530					2810*	2690	7099
3.0m (9.10ft)			9960*	9600	6530*	5170	4770	3390	2990*	2420			2850*	2410	7520
1.5m (4.11ft)					7080	4830	4600	3240	3330	2370			3010*	2310	7624
0m			5970*	5970*	6850	4630	4480	3130					3340	2360	7425
- 1.5m (- 4.11ft)	5690*	5690*	9290*	8600	6790	4570	4440	3090					3690	2590	6895
- 3.0m (- 9.10ft)	10110*	10110*	11330*	8740	6850	4630							4580	3200	5945
- 4.5m (- 14.9ft)			8140*	8140*									5590*	5210	4298

LIFT CAPACITIES – Dipper Length: 2.70m, 5.15m Monoboom, Trackshoes: 700mm, No bucket.

JSI60 LC MONO

Reach	1.5m (4ft 11in)		3m (9ft 10in)		4.5m (14ft 9in)		6m (19ft 8in)		7.5m (24ft 7in)		Capacity at Max Reach				
													kg	kg	mm
Load Point Ht.	kg	kg	kg	kg	kg	kg	kg	kg	kg	kg	kg	kg	kg	mm	
7.5m (24.7ft)													2560*	2560*	5530
6.0m (19.8ft)							3870*	3680					2310*	2310*	6779
4.5m (14.9ft)							4390*	3600	2360*	2360*			2230*	2230*	7530
3.0m (9.10ft)			8570*	8570*	5990*	5260	4820	3440	3430	2450			2260*	2240	7928
1.5m (4.11ft)			5740*	5740*	7130	4870	4630	3260	3340	2370			2380*	2150	8027
0m			5880*	5880*	6840	4610	4480	3120	3280	2310			2630*	2180	7838
- 1.5m (- 4.11ft)	4960*	4960*	9140*	8420	6730	4510	4410	3060					3100*	2360	7339
- 3.0m (- 9.10ft)	8830*	8830*	12000*	8540	6760	4540	4440	3080					4030	2820	6456
- 4.5m (- 14.9ft)			9440*	8830	6480*	4720							5570*	4120	4985

LIFT CAPACITIES – Dipper Length: 3.05m, 5.15m Monoboom, Trackshoes: 700mm, No bucket.

JSI60 LC MONO

Reach	1.5m (4ft 11in)		3m (9ft 10in)		4.5m (14ft 9in)		6m (19ft 8in)		7.5m (24ft 7in)		Capacity at Max Reach				
													kg	kg	mm
Load Point Ht.	kg	kg	kg	kg	kg	kg	kg	kg	kg	kg	kg	kg	kg	mm	
7.5m (24.7ft)													2160*	2160*	5982
6.0m (19.8ft)							3590*	3590*					1970*	1970*	7151
4.5m (14.9ft)							4060*	3600	2900*	2500			1910*	1910*	7866
3.0m (9.10ft)			7550*	7550*	5530*	5310	4710*	3440	3410	2430			1930*	1930*	8248
1.5m (4.11ft)			8470*	8470*	7110*	4910	4620	3250	3320	2350			2040*	1990	8343
0m			6480*	6480*	6850	4620	4460	3100	3240	2270			2250*	2020	8161
- 1.5m (- 4.11ft)	4700*	4700*	8810*	8400	6710	4490	4370	3020	3210	2240			2630*	2170	7683
- 3.0m (- 9.10ft)	7930*	7930*	12430*	8480	6700	4490	4370	3020					3390*	2550	6846
- 4.5m (- 14.9ft)	12260*	12260*	10250*	8720	6850	4620							5120	3540	5483

Lift capacity front and rear.

Lift capacity full circle.

Notes:

1. For lifting capacity including bucket, subtract total weight of bucket or bucket and quickhitch from above values.
2. Lifting capacities are based on ISO 10567, that is: 75% of minimum tipping load or 87% of hydraulic lift capacity, whichever is the less. Lifting capacities marked* are based on hydraulic capacity.
3. Lift capacities assume that the machine is on firm, level ground.
4. Lift capacities may be limited by local regulations. Please refer to your dealer.



JCB TRACKED EXCAVATOR | JS 160 NLC/LC



LIFT CAPACITIES – Dipper Length: 2.25m, 5.35m T.A.B., Trackshoes: 500mm, No bucket.

JS 160 NLC T.A.B.

Reach	3m (9ft 10in)		4.5m (14ft 9in)		6m (19ft 8in)		7.5m (24ft 7in)		Capacity at Max Reach			
Load Point Ht.	kg	kg	kg	kg	kg	kg	kg	kg	kg	kg	mm	
9.0m (29.5ft)	5570*	5570*								5300*	5300*	3069
7.5m (24.7ft)			5230*	4980						3540*	3540	5439
6.0m (19.8ft)	4300*	4300*	5030*	4960	4790	3080				3050*	2500	6705
4.5m (14.9ft)	5540*	5540*	5870*	4700	4700	3000				2850*	2060	7464
3.0m (9.10ft)			7060	4300	4510	2830	3200	2010		2810*	1850	7865
1.5m (4.11ft)			6640	3930	4320	2660	3130	1940		2860	1780	7965
0m			6410	3740	4200	2550	3080	1900		2940	1820	7775
- 1.5m (- 4.11ft)	6200*	6200*	6370	3710	4160	2520				3240	2000	7271
- 3.0m (- 9.10ft)			5100*	3790	3450*	2600				3380*	2580	6043

LIFT CAPACITIES – Dipper Length: 2.70m, 5.35m T.A.B., Trackshoes: 500mm, No bucket.

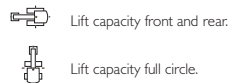
JS 160 NLC T.A.B.

Reach	3m (9ft 10in)		4.5m (14ft 9in)		6m (19ft 8in)		7.5m (24ft 7in)		Capacity at Max Reach			
Load Point Ht.	kg	kg	kg	kg	kg	kg	kg	kg	kg	kg	mm	
9.0m (29.5ft)	5100*	5100*								3590*	3590*	4071
7.5m (24.7ft)			4370*	4370*	2960*	2960*				2710*	2710*	6053
6.0m (19.8ft)			4160*	4160*	4270*	3170				2400*	2260	7210
4.5m (14.9ft)	4010*	4010*	4690*	4690*	4780	3070	3310	2110		2270*	1890	7920
3.0m (9.10ft)			7190	4410	4570	2880	3230	2040		2240*	1710	8299
1.5m (4.11ft)			6690	3980	4350	2680	3140	1950		2300	1640	8393
0m	4290*	4290*	6390	3720	4190	2540	3070	1880		2450*	1670	8213
- 1.5m (- 4.11ft)	6530*	6530*	6300	3630	4120	2470	3060	1870		2750*	1810	7738
- 3.0m (- 9.10ft)	7240*	6830	5830*	3690	4170	2520				2920*	2160	6863

LIFT CAPACITIES – Dipper Length: 3.05m, 5.35m T.A.B., Trackshoes: 500mm, No bucket.

JS 160 NLC T.A.B.

Reach	3m (9ft 10in)		4.5m (14ft 9in)		6m (19ft 8in)		7.5m (24ft 7in)		Capacity at Max Reach			
Load Point Ht.	kg	kg	kg	kg	kg	kg	kg	kg	kg	kg	mm	
9.0m (29.5ft)			3480*	3480*						2900*	2900*	4724
7.5m (24.7ft)			3810*	3810*	3380*	3160				2280*	2280*	6506
6.0m (19.8ft)			3550*	3550*	3780*	3190	2440*	2110		2040*	2040*	7594
4.5m (14.9ft)	3150*	3150*	3900*	3900*	4150*	3080	3310	2100		1930*	1730	8270
3.0m (9.10ft)	11090*	8390	6640*	4470	4580	2890	3220	2020		1920*	1570	8633
1.5m (4.11ft)			6750	4020	4350	2680	3110	1920		1970*	1510	8724
0m	4640*	4640*	6410	3720	4170	2520	3030	1840		2090*	1530	8551
- 1.5m (- 4.11ft)	6350*	6350*	6270	3610	4080	2430	2990	1810		2340*	1650	8096
- 3.0m (- 9.10ft)	8000*	6780	6300	3630	4100	2450				2800*	1940	7307



Notes:

1. For lifting capacity including bucket, subtract total weight of bucket or bucket and quickhitch from above values.
2. Lifting capacities are based on ISO 10567, that is: 75% of minimum tipping load or 87% of hydraulic lift capacity, whichever is the less. Lifting capacities marked* are based on hydraulic capacity.
3. Lift capacities assume that the machine is on firm, level ground.
4. Lift capacities may be limited by local regulations. Please refer to your dealer.



JCB TRACKED EXCAVATOR | JS 160 NLC/LC



LIFT CAPACITIES – Dipper Length: 2.25m, 5.35m T.A.B., Trackshoes: 700mm, No bucket.

JS 160 LC T.A.B.

Reach	3m (9ft 10in)		4.5m (14ft 9in)		6m (19ft 8in)		7.5m (24ft 7in)		Capacity at Max Reach			
Load Point Ht.	kg	kg	kg	kg	kg	kg	kg	kg	kg	kg	mm	
9.0m (29.5ft)	5570*	5570*								5300*	5300*	3067
7.5m (24.7ft)			5230*	5230*						3540*	3540*	5438
6.0m (19.8ft)	4300*	4300*	5030*	5030*	4830	3450				3050*	2810	6704
4.5m (14.9ft)	5550*	5550*	5870*	5290	4730	3360				2850*	2320	7463
3.0m (9.10ft)			7120	4870	2550	3200	3230	2270		2800*	2090	7865
1.5m (4.11ft)			6690	4490	4360	3020	3160	2200		2880*	2020	7964
0m			6470	4290	4240	2900	3110	2160		2970	2060	7774
- 1.5m (- 4.11ft)	6200*	6200*	6430	4260	4200	2870				3270	2270	7270
- 3.0m (- 9.10ft)	5100*	4350	3450*	2960						3380*	2930	6042

LIFT CAPACITIES – Dipper Length: 2.70m, 5.35m T.A.B., Trackshoes: 700mm, No bucket.

JS 160 LC T.A.B.

Reach	3m (9ft 10in)		4.5m (14ft 9in)		6m (19ft 8in)		7.5m (24ft 7in)		Capacity at Max Reach			
Load Point Ht.	kg	kg	kg	kg	kg	kg	kg	kg	kg	kg	mm	
9.0m (29.5ft)	5100*	5100*								3590*	3590*	4071
7.5m (24.7ft)			4370*	4370*	2960*	2960*				2710*	2710*	6053
6.0m (19.8ft)			4160*	4160*	4270*	3540				2400*	2400*	7210
4.5m (14.9ft)	4010*	4010*	4690*	4690*	4780*	3440	3340	2370		2270*	2140	7920
3.0m (9.10ft)			7250	7980	4610	3240	3260	2300		2240*	1940	8299
1.5m (4.11ft)			6750	4540	4390	3040	3170	2210		2300*	1870	8393
0m	4290*	4290*	6450	4270	4230	2890	3090	2140		2450*	1900	8213
- 1.5m (- 4.11ft)	6530*	6530*	6360	4190	4160	2830	3080	2130		2750*	2060	7738
- 3.0m (- 9.10ft)	7240*	7240*	5830*	4240	4210	2870				2920*	2460	6863

LIFT CAPACITIES – Dipper Length: 3.05m, 5.35m T.A.B., Trackshoes: 700mm, No bucket.

JS 160 LC T.A.B.

Reach	3m (9ft 10in)		4.5m (14ft 9in)		6m (19ft 8in)		7.5m (24ft 7in)		Capacity at Max Reach			
Load Point Ht.	kg	kg	kg	kg	kg	kg	kg	kg	kg	kg	mm	
9.0m (29.5ft)			3480*	3480*						2900*	2900*	4724
7.5m (24.7ft)			3810*	3810*	3380*	3380*				2280*	2280*	6506
6.0m (19.8ft)			3550*	3550*	3780*	3570	2440*	2370		2040*	2040*	7594
4.5m (14.9ft)	3150*	3150*	3900*	3900*	4150*	3450	3340	2370		1930*	1930*	8270
3.0m (9.10ft)	11090*	9680	6640*	5060	4630	3260	3260	2290		1920*	1790	8633
1.5m (4.11ft)			6820	4600	4400	3040	3150	2190		1970*	1730	8724
0m	4640*	4640*	6480*	4290	4220	2880	3060	2110		2090*	1750	8551
- 1.5m (- 4.11ft)	6350*	6350*	6340	4170	4130	2790	3030	2080		2340*	1890	8096
- 3.0m (- 9.10ft)	8000*	7990	6310*	4190	4140	2810				2800*	2210	7307



Lift capacity front and rear.



Lift capacity full circle.

Notes:

1. For lifting capacity including bucket, subtract total weight of bucket or bucket and quickhitch from above values.
2. Lifting capacities are based on ISO 10567, that is: 75% of minimum tipping load or 87% of hydraulic lift capacity, whichever is the less. Lifting capacities marked* are based on hydraulic capacity.
3. Lift capacities assume that the machine is on firm, level ground.
4. Lift capacities may be limited by local regulations. Please refer to your dealer.



A GLOBAL COMMITMENT TO QUALITY

JCB's total commitment to its products and customers has helped it grow from a one-man business into Britain's largest privately owned manufacturer of backhoe loaders, crawler excavators, wheeled excavators, telescopic handlers, wheeled loaders, dump trucks, rough terrain fork lifts, industrial fork lifts, mini/midi excavators, skid steer loaders and tractors.

By making constant and massive investments in the latest production technology, the JCB factories have become some of the most advanced in Europe.

By leading the field in innovative research and design, extensive testing and stringent quality control, JCB machines have become renowned all over the world for performance, value and reliability.

And with a global sales and service network of over 400 distributors and agents, the company exports over 70% of its production to all five continents.

Through setting the standards by which others are judged, JCB has become one of Britain's most impressive success stories.

