



# JCB TRACKED EXCAVATOR | JS 130 LC

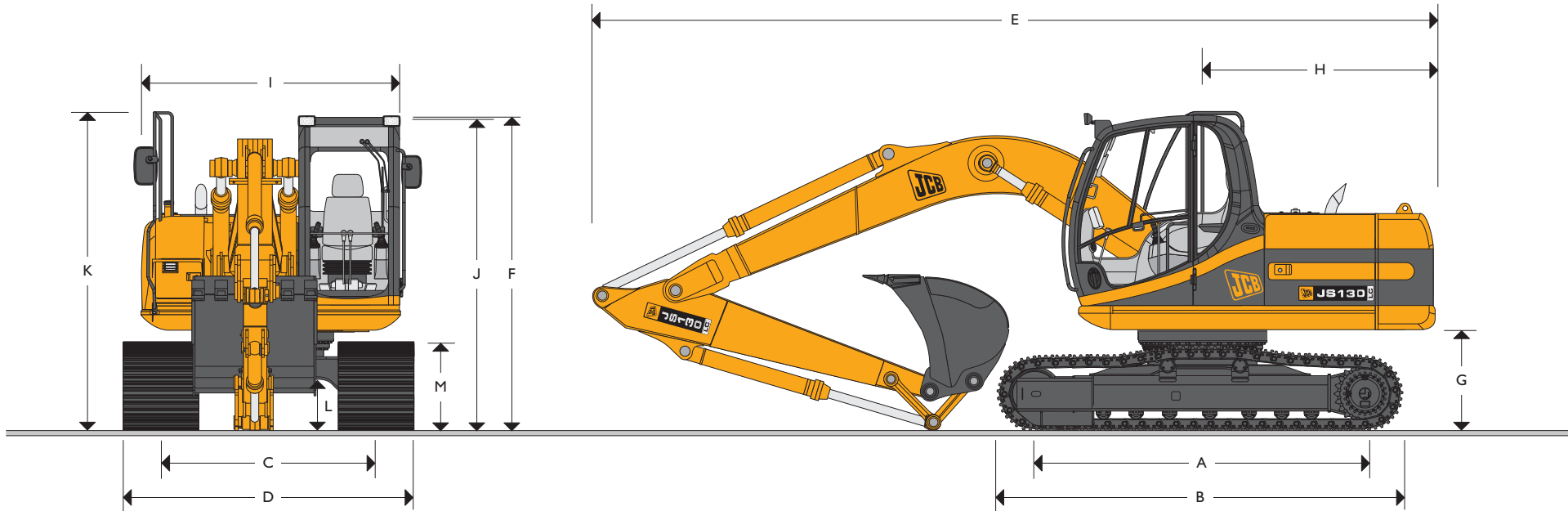


MAX. OPERATING WEIGHT

13428 kg

NETT ENGINE POWER

70 kW (94 hp)



## STATIC DIMENSIONS

Dimensions in millimetres (ft-in)			
A	Track length on ground	2880 (9-5)	
B	Undercarriage overall length	3582 (11-9)	
C	Track gauge	1990 (6-6)	
D	Width over tracks (500mm trackshoes)	2490 (8-2)	
D	Width over tracks (600mm trackshoes)	2590 (8-6)	
D	Width over tracks (700mm trackshoes)	2690 (8-10)	
<b>Dipper lengths</b>		<b>2.1m</b>	<b>2.5m</b>
E	Transport length with Monoboam	7583 (24-11)	7603 (24-11)
F	*Transport height with Monoboam	2869 (9-5)	2869 (9-5)
			<b>3.0m*</b>

Dimensions in millimetres (ft-in)	
G	*Counterweight clearance
H	Tail swing radius
I	Width of superstructure
J	*Height over cab
K	*Height over grab rail
L	*Ground clearance
M	Track height

\*Machine in transport position



# JCB TRACKED EXCAVATOR | JS I30 LC



## ENGINE

<b>Model</b>	Isuzu A4BG IT European Tier II emissions compliant.
<b>Type</b>	Water cooled, 4-stroke, 4-cylinder in-line, direct injection, turbocharged diesel.
<b>Nett power (ISO 3046-INF)</b>	70kW (94hp) at 2100rpm.
<b>Piston Displacement</b>	4.329 litres (264 cu.in.).
<b>Injection</b>	Mechanical governor.
<b>Air Filtration</b>	Dry element with secondary safety element and in cab warning indicator.
<b>Cooling</b>	Large capacity radiator.
<b>Starting system</b>	24 volt – 4.5kW.
<b>Batteries</b>	2 x 12 volt Heavy Duty.
<b>Alternator</b>	24 volt 40 amp.
<b>Refuelling pump</b>	Electric type.

## SWING SYSTEM

<b>Swing motor</b>	Axial piston type.
<b>Swing brake</b>	Hydraulic braking plus automatic spring applied disc type parking brake.
<b>Final drive</b>	Planetary reduction.
<b>Swing speed</b>	13.6 rpm.
<b>Swing gear</b>	Large diameter, internally toothed fully sealed grease bath lubricated.
<b>Swing lock</b>	Multi position switchable brake.

## UNDERCARRIAGE

<b>Construction</b>	Fully welded, "X" frame type with central bellyguarding and sloping sidemembers with dirt relief holes under top rollers.	
<b>Recovery point</b>	Front and rear.	
<b>Upper &amp; lower rollers</b>	Heat treated, sealed and lubricated.	
<b>Track adjustment</b>	Grease cylinder type.	
<b>Track type</b>	Sealed and lubricated.	
<b>Track idler</b>	Sealed and lubricated, with spring cushioned recoil.	
<b>Track shoes</b>	500mm (20in.) triple grouser 600mm (24in.) triple grouser 700mm (28in.) triple grouser	
<b>Rollers and Shoes (each side)</b>	Upper rollers	2
	Lower rollers	7
	Track shoes	44

## HYDRAULIC SYSTEM

A variable flow load sensing system with flow on demand, variable power output and servo operated, multi-function open centre control. Machine auto warm up standard – maximises performance in cold conditions.

### Pumps

<b>Main pumps</b>	2 variable displacement axial piston type.
<b>Maximum flow</b>	2 x 128 L/min (2 x 28 UK GPM).
<b>Servo pump</b>	Gear type.
<b>Maximum flow</b>	21 L/min (4.6 UK GPM).

### Control valve

A combined four and five spool control valve with auxiliary service spool as standard. When required twin pump flow is combined to boom, dipper and bucket services for greater speed and efficiency.

### Relief valve settings

<b>Boom/Arm/Bucket</b>	318 bar (4610lb/sq.in)
<b>With power boost</b>	343 bar (4975lb/sq.in)
<b>Swing circuit</b>	279 bar (4045lb/sq.in)
<b>Travel circuit</b>	343 bar (4975lb/sq.in)
<b>Pilot control</b>	40 bar (569lb/sq.in)

A separate Cushion Control valve in the servo system provides cushioning of the boom and dipper spools selection and quick warm-up of the servo system.

### Hydraulic cylinders

Double acting type, with bolt-up end caps and hardened steel bearing bushes. End cushioning is fitted as standard on boom, dipper and bucket rams.

Optional hose burst check valves available for boom and dipper rams.

### Filtration

The hydraulic components are protected by the highest standard of filtration to ensure long hydraulic fluid and component life.

<b>In tank</b>	150 micron, suction strainer.
<b>Main return line</b>	10 micron, fibreform element.
<b>Plexus Bypass line</b>	1.5 micron, paper element.
<b>Pilot line</b>	10 micron, paper element.
<b>Hydraulic hammer return</b>	10 micron, reinforced microform element.

### Cooling

Worldwide cooling is provided as part of a single face cooling pack, in conjunction with the engine water cooler.

## TRACK DRIVE

<b>Type</b>	Fully hydrostatic, three speed with autoshift between high and medium speed.
<b>Travel motors</b>	Variable swash axial piston type, fully guarded within undercarriage frame.
<b>Final drive</b>	Planetary reduction, bolt-on sprockets.
<b>Service brake</b>	Hydraulic counter balance valve to prevent overspeeding on gradients.
<b>Park brake</b>	Disc type, spring applied, automatic hydraulic release.
<b>Gradeability</b>	70% (35 deg) continuous.
<b>Travel speed</b>	High – 6.0 km/h (3.7 mph). Mid – 3.5 km/h (2.2 mph). Low – 2.4 km/h (1.5 mph).
<b>Tractive effort</b>	111kN (11319kgf, 24954lbf).



# JCB TRACKED EXCAVATOR | JS I30 LC



## EXCAVATOR END

Monoboom available along with a choice of dipper lengths to suit the requirements of reach, dig-depth, loadover height, tearover and site versatility. Reserve strength is built into the fully welded structures for hydraulic hammer and other arduous operations. Fabricated bucket tipping links are provided with a choice of lift points.

Strong, durable construction, large cross sections and multi plate fabrications to withstand high stress applications.

The 4.7m (15ft 5in) boom is designed to ensure the optimum digging envelope when matched with the three dipper lengths.

Low maintenance bronze alloy bushes with graphite plugs are fitted to boom base and boom to dipper pivots resulting in 1000 hour greasing intervals at these points.

## CAB

Excellent digging, loading and positioning visibility results from the careful design of front, side and roof lights. All screens are tinted to improve in cab conditions.

Fully opening front screen is very smooth to operate and as the lower screen is stored within the top screen frame it makes complete front screen opening easy, fast and convenient.

Fresh air ventilation available from opening door window, opening slot in front screen and fully opening front screen.

Parallelogram wash wiper for upper screen ensuring good wiped area for maximum visibility. Wiper motor is fitted in the left hand side of the roof screen so as not to affect bucket visibility when loading. Optional lower screen wiper available.

Fresh air ventilation and heater with windscreen demister. Infinitely variable blower speed, temperature and recirculation control.

Air conditioning or climate control incorporating chilled cool box available as option. Fully adjustable deluxe suspension seat with arm rest adjustment and backrest recline. Optional radio cassette player with digital tuner fitted into the roof lining for maximum protection. Conveniently placed radio mute button incorporated into lower console. 12v power point and mobile phone holder built into the right hand console. Courtesy light can be operated from ground level and is illuminated for five minutes or until switched off improving operator access at night. Cab mounted roller blind protects operator from sun's glare through front or top screens.

## AMS – ADVANCED MANAGEMENT SYSTEM

Four selectable working modes link the operators control movements with the engine and hydraulic systems to maximise productivity and efficiency.

### A (Auto)

Up to 100% engine power and 100% flow. Gives variable power and speed depending on the operator's input, matching the demand for output and efficiency to the job. Power boost is automatically activated in this mode should hard conditions be encountered. Auto idle cuts in after a period of inactivity (between 5 and 30 seconds as set by the operator)

### E (Economy)

80% engine power. 95% of hydraulic flow maximises economy while maintaining excellent output.

### P (Precision)

55% engine power. 90% of hydraulic flow for fine control of grading operations.

### L (Lifting)

55% engine power. 63% of hydraulic flow with permanent power boost for maximum lifting power and control.

The Auto mode allows the AMS processor to select the optimum operational performance to match the demands of the job while the three alternative modes give precise matching of application when specific tasks are undertaken.

The adjustable position monitor mounted on the front right hand pillar of the cab gives the operator a constant read out of mode, tracking range, operating temperature and a host of other information, while retaining excellent visibility of the monitor and the job being carried out.

The required flow for hammer applications can be set and stored in the AMS memory and is automatically activated whenever the hammer pedal is depressed.

A maintenance indicator warns of imminent service needs, and all servicing and basic checks can be carried out using only the in cab display.

## CONTROLS

### Excavator

All servo lever operated to ISO control pattern, independently adjustable to the seat.

### Tracks

Individually servo operated by foot pedal or hand lever.

### Auxiliary

Speed selection via joystick button.

### Control isolation

Via servo operated foot pedal.

### Engine speed

Via gate lock lever at cab entrance or panel switch.

### Engine stop

Dial type throttle control plus servo lever mounted one-touch idle control or separate selectable auto-idle with adjustable time delay using AMS.

### Horn

Ignition key operated and separate shut-down button.

Operated via servo lever mounted button.



# JCB TRACKED EXCAVATOR | JS I30 LC



## SERVICE CAPACITIES

	Litres	UK Gal
Fuel tank	253	55.6
Engine coolant	16.4	3.8
Engine oil	13.2	2.9
Swing reduction gear	2.2	0.5
Track reduction gear (each side)	3.5	0.7
Hydraulic system	124.0	27.3
Hydraulic tank	73.0	16.1

## WEIGHTS AND GROUND BEARING PRESSURES

Machine equipped with 4.7m Monoboomb, 2.5m Dipper, Standard Excavating Bucket, operator and full fuel tank.

Shoe Width	Operating Weight	Bearing Pressure
500mm (20in.)	12766kg (28144lb)	0.41kg/sq. cm. (5.83lb/sq. in.)
600mm (24in.)	12956kg (28563lb)	0.35kg/sq. cm. (4.98lb/sq. in.)
700mm (28in.)	13147kg (28984lb)	0.30kg/sq. cm. (4.27lb/sq. in.)

## STANDARD / OPTIONAL EQUIPMENT

**Standard Equipment:** Engine fan guard; Cold start pre-heat; Auto engine warm up; Double element air cleaner; Heavy duty alternator; Electrics isolator; Heavy duty batteries; Cab & engine soundproofing; Cab heater & screen demister; Tinted glass; Interior light; Coat hook; Cigarette lighter; Ashtray; Operator's storage box; Removable floor mat; Windscreen wash/wipe; Plug-in power socket; Automatic power boost; Auto-idle; One-touch engine speed control; Hydraulic cushion control; Plexus hydraulic oil filtration; HSP pressure test points; Auxiliary pipework mounting brackets; Work lights – boom & mainframe mounted; Undercarriage belly guarding; Upper structure under covers; Swing system cover; External mirrors; Handrail & non slip walk ways; Quick connect engine oil drain pipe; Front screen blind; Quick connect fuel tank drain pipe; Hinged engine under cover.

**Optional Equipment:** Hose burst check valves & overload warning system; Tipping link mounted lift points; General purpose buckets; Ditch/grading buckets; Quickhitch buckets; Hydraulic hammers; Auxiliary pipework (full and low flow); Air conditioning or climate control; Cab mounted & rear work lights; Rotating beacon; Rain guard; Biodegradable oil; Radio & cassette player; Air suspension seat with heated pad and lumbar support adjustment; Electric refuelling pump; Single track guide; Lower screen wiper.

## STANDARD EXCAVATING BUCKETS

All buckets are JCB – Esco type fully welded steel, with sealed, hardened steel pivot pins and replaceable wear parts.

Max Width	Capacity (SAE heaped)	Weight
600mm (24in.)	0.32cu.m (0.42cu.yd)	369kg (814lb)
750mm (30in.)	0.43cu.m (0.56cu.yd)	423kg (933lb)
900mm (36in.)	0.55cu.m (0.72cu.yd)	468kg (1032lb)
1000mm (40in.)	0.63cu.m (0.82cu.yd)	507kg (1118lb)
1100mm (44in.)	0.72cu.m (0.94cu.yd)	537kg (1184lb)
1200mm (48in.)	0.80cu.m (1.05cu.yd)	576kg (1270lb)

## BUCKET/HITCH INSTALLATION

JCB Bucket	No Q/Hitch Fitted		Q/Hitch Fitted*	
	2.5m	3.0m	2.5m	3.0m
GP 500mm wide 0.235 cu.m (SAE heaped)	☐	☐	☐	☐
GP 600mm wide 0.315 cu.m (SAE heaped)	☐	☐	☐	☐
GP 700mm wide 0.39 cu.m (SAE heaped)	☐	☐	☐	■
GP 750mm wide 0.43 cu.m (SAE heaped)	☐	☐	☐	■
GP 800mm wide 0.47 cu.m (SAE heaped)	☐	☐	■	●
GP 900mm wide 0.55 cu.m (SAE heaped)	☐	■	●	●
GP 1000mm wide 0.63 cu.m (SAE heaped)	■	●	●	×
GP 1100mm wide 0.715 cu.m (SAE heaped)	●	●	×	×
GP 1200mm wide 0.795 cu.m (SAE heaped)	●	×	×	×
GP 1300mm wide 0.88 cu.m (SAE heaped)	×	×	×	×

☐ = Suitable for General Excavating (Materials up to 2000kg/cu.m.)

■ = Suitable for Light Excavating (Materials up to 1600kg/cu.m.)

● = Suitable for Grading & Loading Materials up to 1200kg/cu.m.

×

\* – BUCKET COMPATIBILITY USING JCB MECHANICAL Q/HITCH 980/89006 ONLY



# JCB TRACKED EXCAVATOR | JS 130 LC



## WORKING RANGE

### Boom length: 4.70m

<b>Dipper length:</b>		<b>2.10m</b>
A	Maximum digging reach	mm (ft-in) 7970 (26-2)
B	Maximum digging reach (on ground)	mm (ft-in) 7819 (25-8)
C	Maximum digging depth	mm (ft-in) 5123 (16-10)
D	Maximum digging height	mm (ft-in) 8850 (29-0)
E	Maximum dumping height	mm (ft-in) 6463 (21-2)
F	Maximum vertical wall cut depth	mm (ft-in) 4523 (14-10)
G	Minimum swing radius	mm (ft-in) 2021 (6-8)
	Bucket rotation	182°
	Maximum dipper tearout (ISO 6015)	kgf (lbf) 7515 (16569)
	Maximum bucket tearout (ISO 6015)	kgf (lbf) 9375 (20667)

### Dipper length:

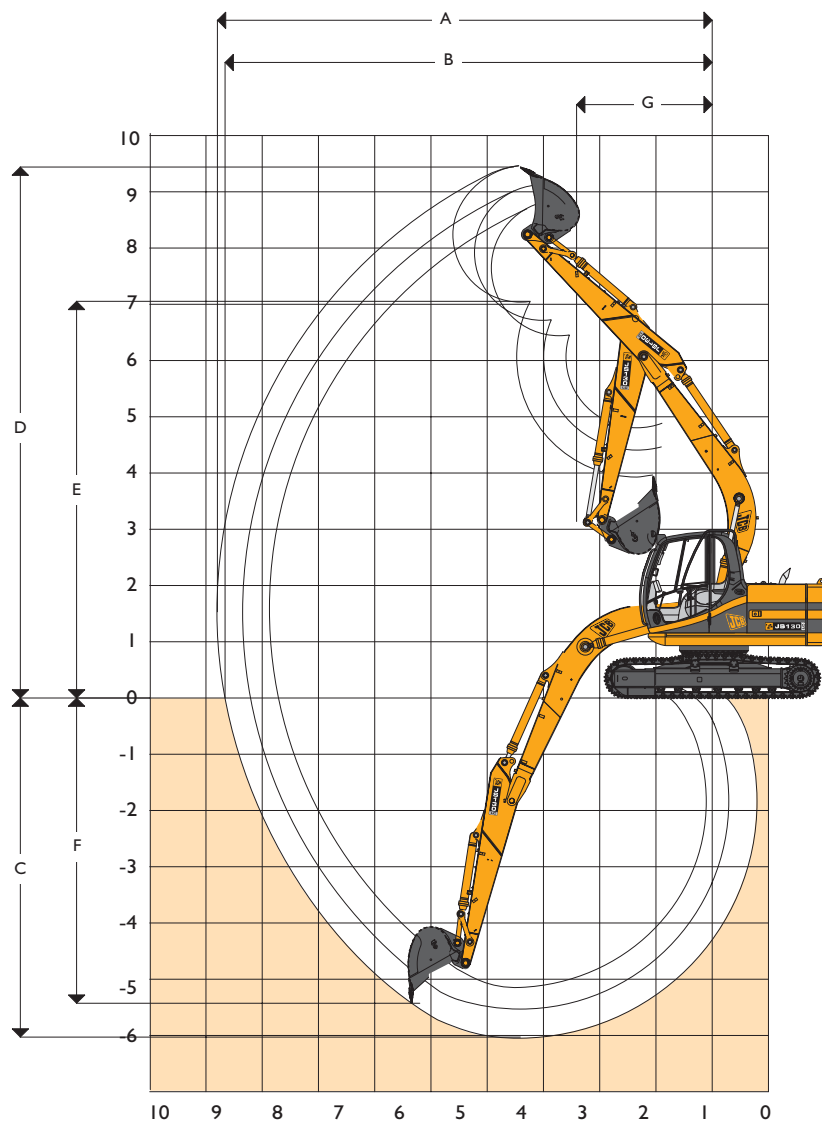
**2.50m**

A	Maximum digging reach	mm (ft-in) 8340 (27-4)
B	Maximum digging reach (on ground)	mm (ft-in) 8197 (26-11)
C	Maximum digging depth	mm (ft-in) 5526 (18-2)
D	Maximum digging height	mm (ft-in) 9123 (29-11)
E	Maximum dumping height	mm (ft-in) 6733 (22-1)
F	Maximum vertical wall cut depth	mm (ft-in) 4920 (16-2)
G	Minimum swing radius	mm (ft-in) 2051 (6-9)
	Bucket rotation	182°
	Maximum dipper tearout (ISO 6015)	kgf (lbf) 6680 (14720)
	Maximum bucket tearout (ISO 6015)	kgf (lbf) 9375 (20667)

### Dipper length:

**3.00m**

A	Maximum digging reach	mm (ft-in) 8796 (28-10)
B	Maximum digging reach (on ground)	mm (ft-in) 8660 (28-5)
C	Maximum digging depth	mm (ft-in) 6024 (19-9)
D	Maximum digging height	mm (ft-in) 9445 (31-0)
E	Maximum dumping height	mm (ft-in) 7058 (23-2)
F	Maximum vertical wall cut depth	mm (ft-in) 5422 (17-9)
G	Minimum swing radius	mm (ft-in) 2411 (7-11)
	Bucket rotation	182°
	Maximum dipper tearout (ISO 5016)	kgf (lbf) 5970 (13161)
	Maximum bucket tearout (ISO 5016)	kgf (lbf) 9375 (20667)



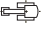













# JCB TRACKED EXCAVATOR | JS I30 LC



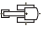

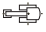

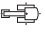

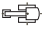





## LIFT CAPACITIES – Dipper Length: 2.10m, 4.70m Monoboom, Trackshoes: 700mm, No bucket.

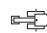

**JSI30 LC**

Reach	1.5m (4ft 11in)		3m (9ft 10in)		4.5m (14ft 9in)		6m (19ft 8in)		7.5m (24ft 7in)		Capacity at Max Reach			
													mm	
Load Point Ht.	kg	kg	kg	kg	kg	kg	kg	kg	kg	kg	kg	kg	mm	
7.5m (24.7ft)			3900*	3900*								3940*	3940*	3069
6.0m (19.8ft)					3310*	3310*						2960*	2750	5051
4.5m (14.9ft)			3930*	3930*	3490*	3300	2990	2050				2710*	2010	6073
3.0m (9.10ft)			6160*	5770	4230*	3110	2940	2010				2520	1710	6605
1.5m (4.11ft)					4400	2890	2850	1920				2380	1600	6766
0m			6140*	5010	4250	2760	2780	1860				2440	1640	6585
- 1.5m (- 4.11ft)	5500*	5500*	8240*	5020	4210	2730	2780	1850				2760	1840	6029
- 3.0m (- 9.10ft)			6960*	5150	4290	2800						3720	2460	4972
- 4.5m (- 14.9ft)														

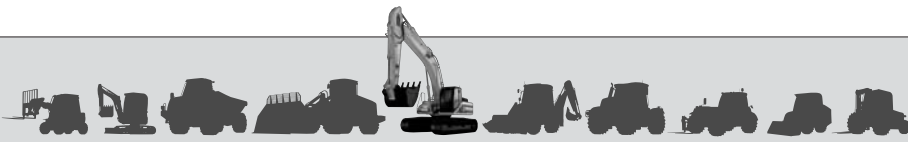
## LIFT CAPACITIES – Dipper Length: 2.50m, 4.70m Monoboom, Trackshoes: 700mm, No bucket.

**JSI30 LC**

Reach	1.5m (4ft 11in)		3m (9ft 10in)		4.5m (14ft 9in)		6m (19ft 8in)		7.5m (24ft 7in)		Capacity at Max Reach			
													mm	
Load Point Ht.	kg	kg	kg	kg	kg	kg	kg	kg	kg	kg	kg	kg	mm	
7.5m (24.7ft)												2960*	2960*	3828
6.0m (19.8ft)					2900*	2900*						2380*	2380*	5539
4.5m (14.9ft)					3150*	3150*	3030	2090				2200*	1810	6483
3.0m (9.10ft)			5410*	5410*	3920*	3150	2960	2020				2180*	1570	6984
1.5m (4.11ft)			7460*	5260	4430	2920	2850	1920				2190	1470	7136
0m			6840*	4990	4240	2750	2770	1840				2230	1490	6965
- 1.5m (- 4.11ft)	5120*	5120*	8410	4960	4180	2690	2740	1820				2490	1660	6442
- 3.0m (- 9.10ft)	9300*	9300*	7440*	5060	4220	2730						3190	2110	5467
- 4.5m (- 14.9ft)														

-  Lift capacity front and rear.
-  Lift capacity full circle.

- Notes:**
1. The above loads are in compliance with SAE and ISO Hydraulic Excavator Lift Capacity Standards.
  2. They do not exceed 87% of hydraulic lifting capacity or 75% of tipping load.
  3. Rated loads marked with an asterisk (\*) are limited by hydraulic capacity rather than tipping load.

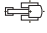









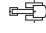



# JCB TRACKED EXCAVATOR | JS I30 LC



LIFT CAPACITIES – Dipper Length: 3.00m, 4.70m Monoboom, Trackshoes: 700mm, No bucket.

**JSI30 LC**

Reach	1.5m (4ft 11in)		3m (9ft 10in)		4.5m (14ft 9in)		6m (19ft 8in)		7.5m (24ft 7in)		Capacity at Max Reach		
	 kg	 kg	 kg	 kg	 kg	 kg	 kg	 kg	 kg	 kg	 kg	 kg	mm
Load Point Ht.													
7.5m (24.7ft)					2850*	2850*					2570*	2570*	4632
6.0m (19.8ft)					2410*	2410*	2530*	2120			2180*	2040	6118
4.5m (14.9ft)					2710*	2710*	2760*	2120			2050*	1600	6983
3.0m (9.10ft)			4470*	4470*	3490*	3200	2980	2030			2040*	1400	7450
1.5m (4.11ft)			7000*	5380	4460	2940	2850	1920	2010	1340	1970	1320	7593
0m			7510*	4960	4230	2740	2740	1820			2000	1330	7432
- 1.5m (- 4.11ft)	4590*	4590*	8300	4860	4120	2640	2690	1770			2190	1450	6945
- 3.0m (- 9.10ft)	7890*	7890*	7860*	4920	4130	2650	2720	1790			2690	1780	6054
- 4.5m (- 14.9ft)			5970*	5130	3710*	2800					3680*	2790	4517

 Lift capacity front and rear.

 Lift capacity full circle.

- Notes:**
1. The above loads are in compliance with SAE and ISO Hydraulic Excavator Lift Capacity Standards.
  2. They do not exceed 87% of hydraulic lifting capacity or 75% of tipping load.
  3. Rated loads marked with an asterisk (\*) are limited by hydraulic capacity rather than tipping load.



## A GLOBAL COMMITMENT TO QUALITY

JCB's total commitment to its products and customers has helped it grow from a one-man business into Britain's largest privately owned manufacturer of backhoe loaders, crawler excavators, wheeled excavators, telescopic handlers, wheeled loaders, dump trucks, rough terrain fork lifts, industrial fork lifts, mini/midi excavators, skid steer loaders and tractors.

By making constant and massive investments in the latest production technology, the JCB factories have become some of the most advanced in Europe.

By leading the field in innovative research and design, extensive testing and stringent quality control, JCB machines have become renowned all over the world for performance, value and reliability.

And with a global sales and service network of over 400 distributors and agents, the company exports over 70% of its production to all five continents.

Through setting the standards by which others are judged, JCB has become one of Britain's most impressive success stories.

