

# JCB MIDI EXCAVATOR | 8052

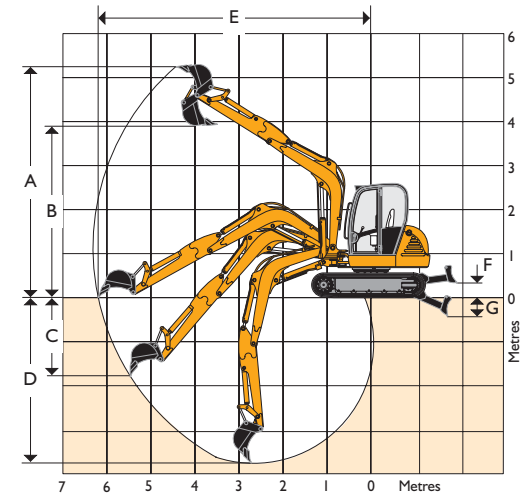
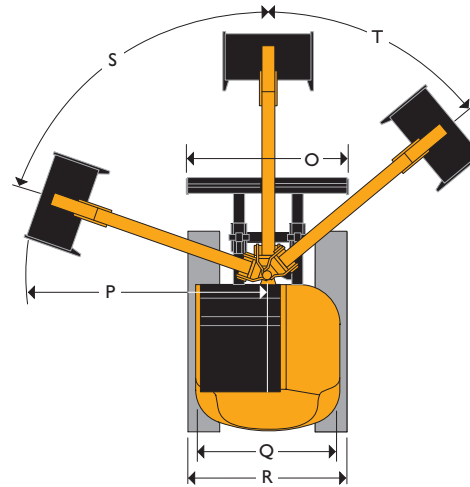
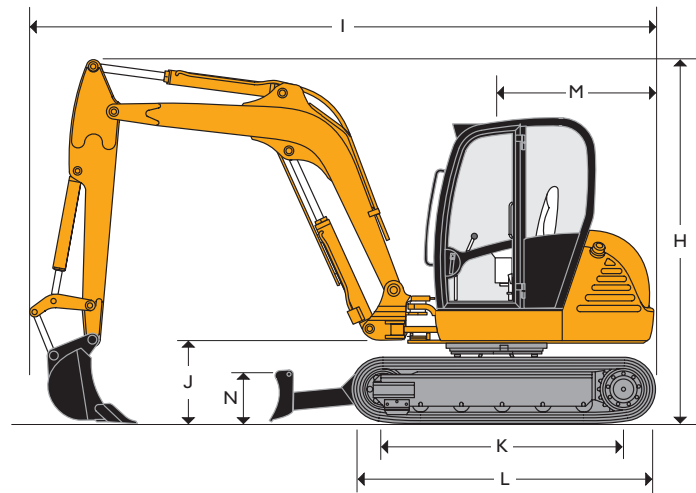


MAX. OPERATING WEIGHT

5200kg

MAX. DIG DEPTH:

4.0 metres (13ft 1in)



## PERFORMANCE AND DIMENSIONS

Machine model – 8052		Standard	Optional
Dipper size	mm	1500	1900
<b>A</b> Max dig height	mm	5306	5547
<b>B</b> Max dump height	mm	3856	4088
<b>C</b> Max vertical dig depth	mm	2080	2434
<b>D</b> Max dig depth-dozer up	mm	3602	3995
<b>E</b> Max reach (ground level)	mm	5680	6056
Bucket rotation	Degrees	201°	
<b>F</b> Dozer cut above ground	mm	432	
<b>G</b> Dozer cut below ground	mm	553	
<b>H</b> Overall Height (trans pos)	mm	2555	
<b>I</b> Overall Length (trans pos)	mm	4808	
<b>J</b> Kingpost clearance	mm	642	
<b>K</b> Sprocket idler centres (Rubber)	mm	1991	
<b>K</b> Sprocket idler centres (Steel)	mm	2006	
<b>L</b> Undercarriage length (Rubber)	mm	2516	
<b>L</b> Undercarriage length (Steel)	mm	2531	

## PERFORMANCE AND DIMENSIONS

Machine model		8052
<b>M</b> Tailswing	mm	1300
<b>N</b> Dozer height	mm	411
<b>O</b> Dozer width	mm	2020
<b>P</b> Min slew radius (no bucket)	mm	2021
<b>Q</b> Superstructure width	mm	1800
<b>R</b> Width over tracks	mm	2000
<b>S</b> Boom swing left	degrees	70°
<b>T</b> Boom swing right	degrees	50°
Min. slew radius (no offset)	mm	2405
Max Bucket tearout (SAE J1179)	Kgf	4077
Max dipper tearout (SAE J1179) 1500mm	Kgf	3040
Max dipper tearout (SAE J1179) 1900mm	Kgf	2644
Travel speeds 1st Gear	kph	2.48
Travel speeds 2nd Gear	kph	4.3
Slew speed	rpm	10

## SERVICE CAPACITIES

Machine model	8052	
Water system capacity-cab	litre	8
Fuel tank capacity	litre	70
Engine oil capacity	litre	5
Hydraulic tank capacity	litre	67

## UNDERCARRIAGE

Machine model	8052	
Track width	mm	400
Ground pressure	kg/cm <sup>2</sup>	0.33
Ground clearance	mm	340
Track tensioning	Grease	
No. of bottom rollers	5	

## ENGINE

4 cylinder: 404-22, Tier 2 emissions compliant, 4 stroke, diesel engine. Indirect injection, naturally aspirated – 2.2 litres displacement. Water cooled.

		8052
<b>Gross power @ 2600rpm</b>		
SAE J1995	kW (hp)	35.7 (47.8)
<b>NET power @ 2600rpm</b>		
SAE J1349 EEC 80/1269	kW (hp)	34.7 (46.5)
<b>Gross torque @ 2000rpm</b>		
SAE J1995	Nm (lb/ft)	135 (104)
<b>NET torque @ 2000rpm</b>		
SAE J1349 EEC 80/1269	Nm (lb/ft)	130 (100)

Exhaust smoke R24.03. Exhaust emissions 91/542/CEE – 'EURO 1'. Engine oil service intervals: 250 hours.

<b>EEC Noise Levels</b>		8052
Cab internal	dB (LPA)	81
Cab external	dB (LWA)	100

## HYDRAULICS

Pump: Variable displacement load sensed Rexroth pump with power control system.

Machine model	8052	
Nominal output (no load)	lpm	126
Excavator/track main relief	bar	250
Slew main relief	bar	180
Auxiliary hydraulic flow @ rated speed	95	
Hydraulic motors type	Piston	

## MACHINE WEIGHTS

Machine model	8052	
Operating weight	kg (lb)	5178 (11392)
With steel tracks	kg (lb)	+80 (176)

Note: 8052 - operating weight to ISO 6016 including cab, rubber tracks, 1500mm dipper, 610mm bucket, full tanks and 75kg operator.

## STANDARD EQUIPMENT

Cab - TOPS. Rubber tracks. Full audible systems. Slew lock. Boom work light. Ergonomically designed servo control. Single acting pipework. 2 speed auto-kickdown tracking. Seat: suspension.

## OPTIONAL EQUIPMENT

Long dipper (1900mm). Cab – FOGS. Steel tracks. Double acting pipework. Stereo radio cassette. Mirror. Cab working lights (2 front, 1 rear). Flashing beacon. Single or double-acting auxiliary circuit. Buckets in widths (mm): 350, 400, 450, 600, 750, 900. Ditching buckets (mm): 1525. Attachments: breaker, earth auger, Mechanical quickhitch. Fan guard. Toolkit.

