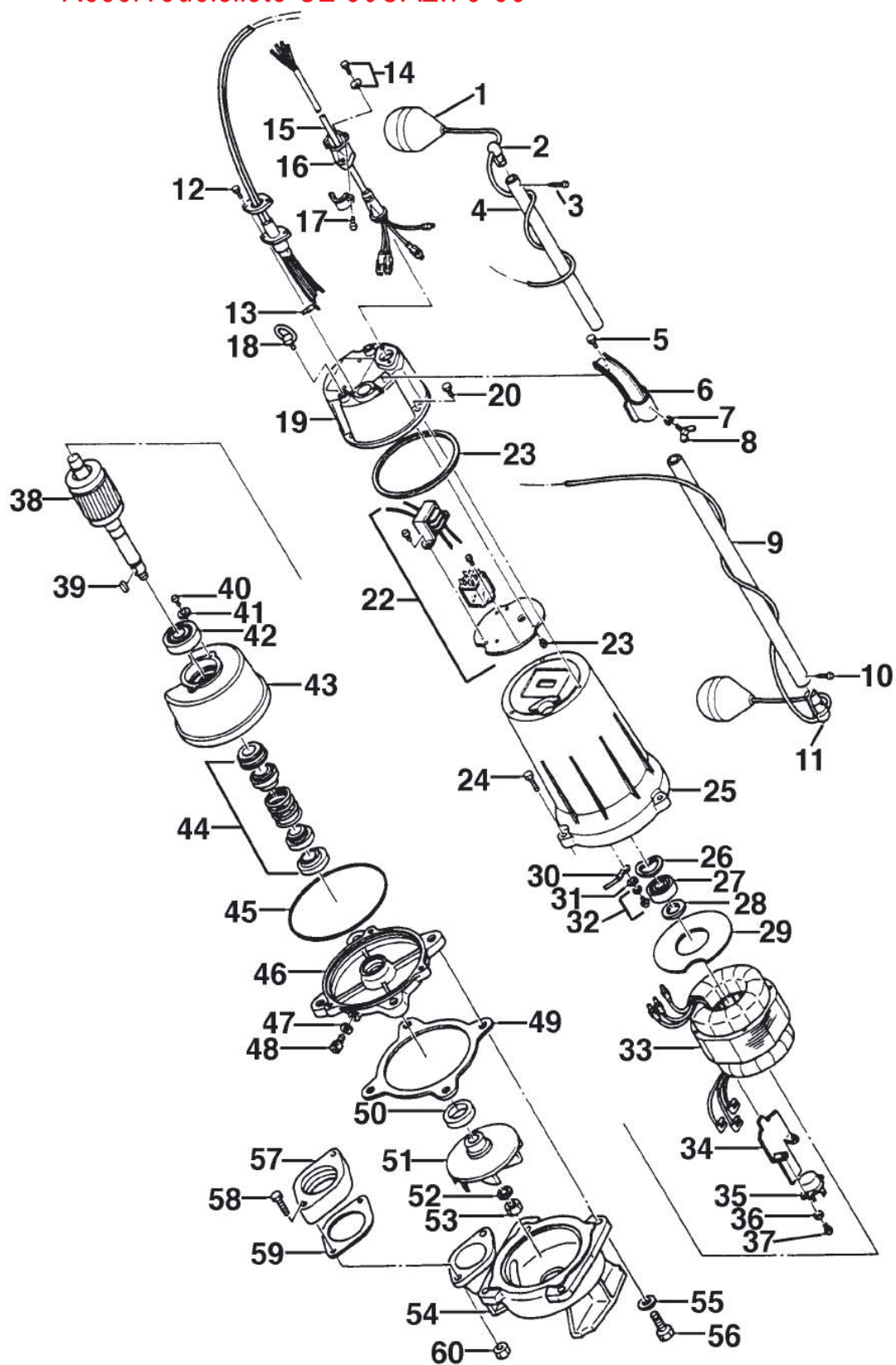


>> Reservedelsliste U2 50UA2.75-53



STARING

Staring Maskinfabrik A/S
Starengvej 9-11
DK-9700 Brønderslev

Tlf.: +45 9882 1622
Fax: +45 9882 5591
www.staring.dk
staring@staring.dk

CVR.nr. DK 2767 2701



>> Reservedelsliste U2 50UA2.75-53

ITEM	CODE No.	DESCRIPTION	Q'TY	SIZE	MATERIAL	REMARKS
1	106-477-16	Float Set (Type A)	1	MAL-2		
2	109-111-18	Float Support Bush	1	ø13	NBR	
3	143-072-12	Cross-Recessed Pan Tapping Screw	1	M4x16	SWRM	
4	109-113-10	Float Support Pipe	1	VP-13x200l	VP	
5	140-014-17	Hex. Bolt	1	M5x8	SUS304	
6	127-100-10	Float Support	1		SPC	
7	142-161-32	Spring Washer	1	M5	SWRH	
8	140-374-34	Wing Bolt	1	M5x8	SUS304	
9	109-107-11	Float Support Pipe	1	VP-18x300l	VP	
10	143-072-12	Cross-Recessed Pan Tapping Screw	1	M4x16	SWRM	
11	109-110-17	Float Support Bush	1	ø18	NBR	
12	140-427-17	Hex. Bolt	2	M5x15	SUS304	
13	009-136-16	Terminal	3	2-SD	CU	
14	140-427-17	Hex. Bolt	2	M5x15	SUS304	
15	001-482-16	Cabtyre Cable Set	10m	H07RN4Cx1,5mm²(CEE)	LBT(HAR)	
16	003-100-13	Gland	1		SUS304	
17	143-071-24	Cross-Recessed Pan Tapping Screw	1	M4x12	SUS304	
18	072-105-12	Eyebolt	2	M8	SS	
19	051-153-23	Head Cover	1		FC	
20	140-018-11	Hex. Bolt	3	M5x15	SUS304	
21	121-253-11	Packing	1	ø101xø124x3t	NBR	*
22	114-134-13	Relay Unit	1 Set	MSR-3(380V)		380V
22	114-135-14	Relay Unit	1 Set	MSR-3(400V)		400V / 415V
23	143-086-22	Cross-Recessed Pan Screw	3	M4x8	SWRM	
24	140-056-11	Hex. Bolt	3	M8x30	SUS304	
25	064-000-64	Motor Frame	1		FC	
26	142-194-18	Wave Washer	1	6203	SK-5	
27	052-102-17	Bearing (old)	1	6203ZZC3		
27	052-186-15	Bearing (new)	1	AC-6203ZZC3		
28	061-152-10	Bearing Collar	1	ø17,1xø23x1,6l	SPC	
29	058-115-11	Lead Wire Protection Plate	1	ø52xø115x11	Resin	
30	009-112-16	Earth Terminal	1 Set	1,25mm²		
31	142-124-20	Plain Washer	1	M4	SPC	
32	143-086-22	Cross-Recessed Pan Screw	1	M4x8	SWRM	
33	056-003-31	Stator	1 Set			380V/400V/415V
34	127-143-15	Protector Fixing Plate (neu)	1	8-BE2	SPC	
34	127-226-13	Protector Fixing Plate (alt)	1	8-BE2	SPC	
35	053-465-14	Motor Protector	1	KA311-DBXL55	(T)	380V/400V/415V
36	142-124-20	Plain Washer	2	M4	SPC	
37	143-016-18	Cross-Recessed Pan Screw	2	M4x12	SWRM	
38	055-001-17	Rotor & Shaft	1 Set			
39	147-016-10	Impeller Key	1	4x4x10l	SUS	
40	143-028-13	Cross-Recessed Pan Screw	2	M5x10	SWRM	
41	062-187-17	Bearing Fixing Washer	2	ø5,5xø18x2,3t	SPC	
42	052-106-11	Bearing	1	6303ZZC3		
43	060-230-10	Bearing Housing	1		FC	
44	025-290-19	Mechanical Seal	1	W-14HL	SIC+CCBN	Oil (ISO GV32 410ml)
45	122-072-17	O-Ring	1	P-140	NBR	*
46	029-238-11	Oil Casing	1	U2-8T	FC	
47	121-248-13	Packing	1	ø8,2xø13,5x2t	PE-Sheet	*
48	035-112-17	Oil Plug	1	M8x12	SUS304	
49	121-339-12	Packing	1	ø124xø144x3t	NBR	*
50	026-178-13	Oil Seal	1	SC-22357	NBR	
51	021-C50-15	Impeller	1	50Hz	FC	
51	021-C51-16	Impeller	1	60Hz	FC	
52	142-164-19	Spring Washer	1	M10	SUS304	
53	141-006-77	Hex. Nut	1	M10	S45C	
54	020-781-17	Pump Casing	1	50Hz	FC	
54	020-001-31	Pump Casing	1	60Hz	FC	
55	142-127-10	Plain Washer	4	M8	SUS304	
56	140-057-12	Hex. Bolt	4	M8x35	SUS304	
57	048-131-12	Screwed Flange	1	50mm (P.C. 84)	FC	
58	140-058-13	Hex. Bolt	2	M8x40	SUS304	
59	121-138-19	Packing	1	LB (P.C. 84)	NBR	*
60	141-005-18	Hex. Nut	2	M8	SUS304	
*	173-457-18	Packing & O-Ring A'ssy	1			