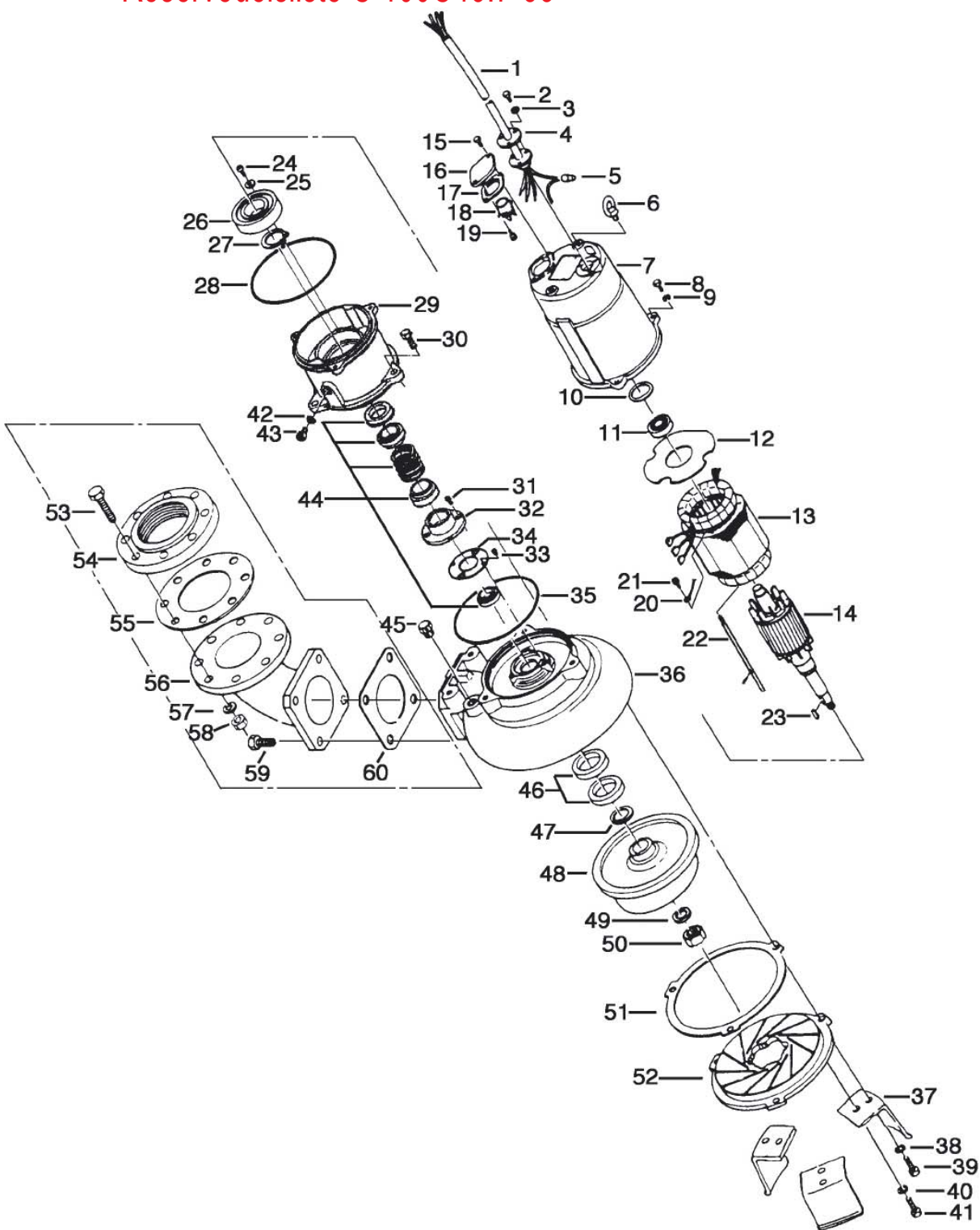


>> Reservedelsliste C 100C43.7-53



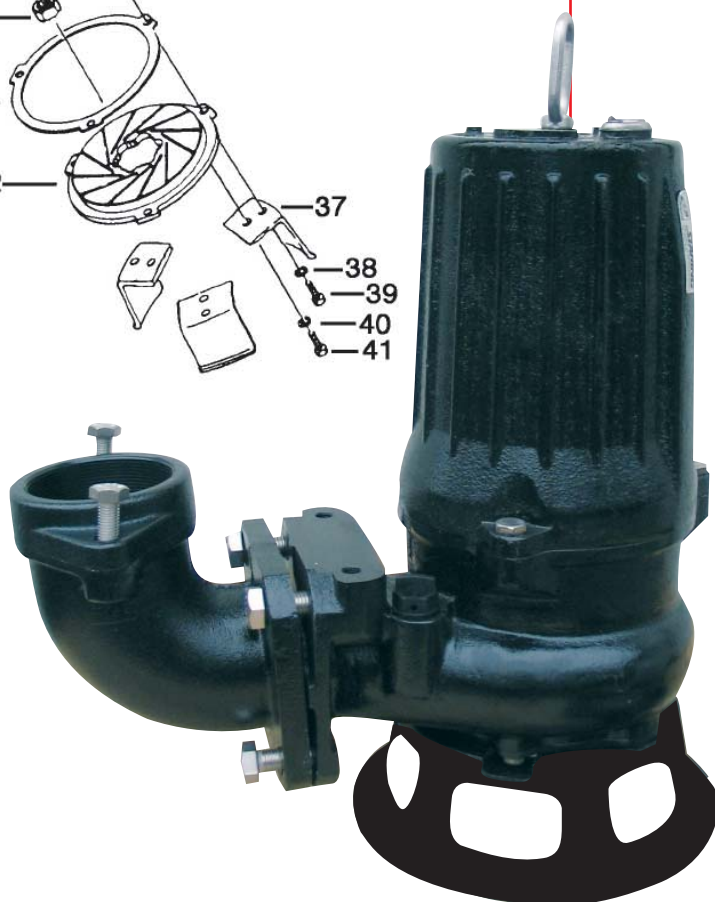
>> Se listen på bagsiden!

STARING

Staring Maskinfabrik A/S
Starengvej 9-11
DK-9700 Brønderslev

Tlf.: +45 9882 1622
Fax: +45 9882 5591
www.staring.dk
staring@staring.dk

CVR.nr. DK 2767 2701



>> Reservedeliste C 100C43.7-53

ITEM	CODE No.	DESCRIPTION	Q'TY	SIZE	MATERIAL	WEIGHT kg	REMARKS
1	001-484-18	Cabtyre Cable Set (10m)380/400/415V-	1	H07RN4Cx1.5mm2(CEE)	BE(HAR)		
2	140-021-17	Hex.Bolt	3	M5x20	SUS304	0.001	
3	142-422-18	Seal Washer	3	PM-5	SUS+NBR		
4	003-111-20	Gland	1		SUS304		
5	009-150-16	Terminal	4	8-SD	CU	0.003	
6	072-100-17	Eye Bolt	2	M10	SS	0.06	
7	064-514-13	Motor Frame	1		FC		
8	140-055-10	Hex.Bolt	3	M8x25	SUS304	0.014	
9	142-163-18	Spring Washer	3	M8	SUS304	0.001	
10	142-196-10	Wave Washer	1	#6205/6304	SK-5	0.001	
11	052-188-17	Bearing	1	AC-6304ZZC3		0.15	
12	058-117-13	Lead Wire Protection Plate	1	d70xd140x1.6l	Resin	0.02	
13		Stator					
14	055-731-10	Rotor	1Set	w/Bearing			
15	140-052-17	Hex.Bolt	2	M8x16	SUS304	0.012	
16	127-195-12	Protector Fixing Plate	1	22/37-BE2	SUS304	0.04	*
17	121-446-13	Packing	1	22/37-BE2	NBR	0.01	*
18		Motor Protector					
18	053-473-15	Motor Protector 400/440V-50HZ	1	KA313-GDZL103	(T.C)	0.022	
19	143-126-12	Pan Screw (w/Spring Washer/Plain Was	2	M4x12	SWRM	0.001	
20	009-116-10	Terminal	1	R-2-4	CU	0.001	
21	143-124-10	Pan Screw (w/Spring Washer/Plain Was	1	M4x6	SWRM		
22	147-066-15	Impeller Key	1	10x8x22L	SUS	0.013	
23	143-042-13	Pan Screw	3	M6x10	SWRM	0.001	
24	062-196-19	Bearing Fixing Washer	3	d8xd20.5x2.3l	SS	0.005	
25	052-112-10	Bearing	1	6309ZZC3		0.85	
26	146-027-11	Retaining Ring	1	C45	SK-5	0.01	
27	122-333-19	O-Ring	1	170xd3.1	NBR	0.001	*
28	060-389-15	Bearing Housing	1		FC		
29	140-098-15	Hex.Bolt	3	M12x35	SUS304	0.045	
30	143-070-23	Pan Screw	2	M5x6	SWRM	0.001	
31	030-156-18	Oil Lifter	1	H-35(A)(T)	Resin	0.053	
32	143-070-10	Pan Screw	3	M5x6	SWRM	0.001	
33	030-150-12	Seal Stopper	1	H-35(A)(T)	SPCC	0.073	
34	122-246-14	O-Ring	1	180xd3.1	NBR	0.001	*
35	020-527-13	Pump Casing	1	37-BE2/CE2	FC	16	
36	023-469-15	Pump Stand	3	22/37-BE3	SPHC	0.64	
37	142-165-10	Spring Washer	3	M12	SUS304	0.001	
38	140-098-15	Hex.Bolt	3	M12x35	SUS304	0.045	
39	142-163-18	Spring Washer	3	M8	SUS304	0.001	
40	140-054-19	Hex.Bolt	3	M8x20	SUS304	0.013	
41	121-247-12	Packing	1	d12.3xd18x2l	PE	0.001	*
42	035-113-18	Oil Plug	1	M12x14	SUS304	0.003	
43	025-280-16	Mechanical Seal	1	H-35A	SiC+CCBN	0.19	Oil ISO VG32 (1300ml)
44	046-107-13	Air Release Valve	1	PT-1/2"	Nylon	0.017	
45	026-000-01	Oil Seal	2	VC-58726	NBR		
46	040-113-14	Impeller Shim		d32.5xd48x0.3l	SUS304	0.001	
47	021-000-43	Impeller (50Hz)	1	100C43.7-52	FC		
47	021-000-44	Impeller (60Hz)	1	100C43.7-62	FC		
48	142-170-18	Spring Washer	1	M24	SUS304	0.032	
49	141-011-17	Hex.Nut	1	M24	SUS304	0.095	
50	120-104-13	Packing (S.Cover)		d230.5xd258x0.3l	M-Sheet	0.005	
51	022-738-15	Suction Cover	1	22/37-CE3	FC	4.8	
52	140-130-36	Hex.Bolt	8	M16x70	SWRM	0.135	
53	048-108-10	Screwed Flange	1	JIS10Kx80mm	FC	3	
53	048-109-11	Screwed Flange	1	JIS10Kx100mm	FC	4	
53	048-139-10	Screwed Flange	1	JIS10K(NPT-4")	FC		
54	121-105-33	Packing	1	JIS10Kx80mm	NR	0.095	*
54	121-106-34	Packing	1	JIS10Kx100mm	NR	0.11	*
55	037-169-15	Discharge Bend	1	80x80mm	FC	6	
55	037-170-19	Discharge Bend	1	80x100mm	FC	8.5	
56	142-166-37	Spring Washer	8	M16	SWRH	0.01	
57	141-008-11	Hex.Nut	8	M16	SUS304	0.03	
58	140-124-11	Hex.Bolt	4	M16x40	SUS304	0.09	
59	121-152-19	Packing	1	145mm2(P.C.145)	NBR	0.04	*
		<Packing O-Ring Set>					
	173-474-11	Packing O-Ring Set	1Set	(*)		0.065	