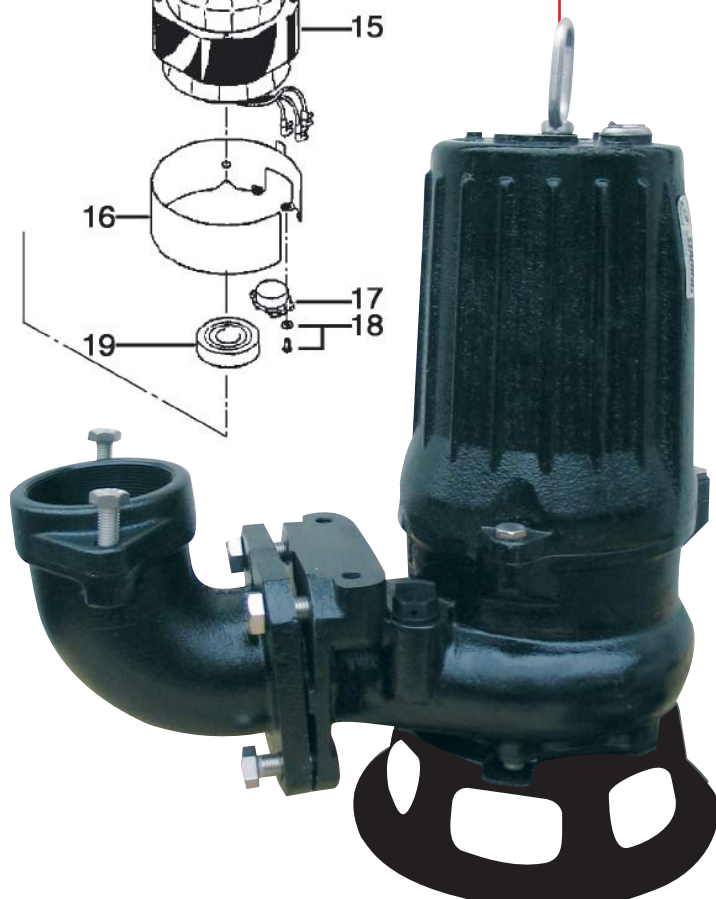
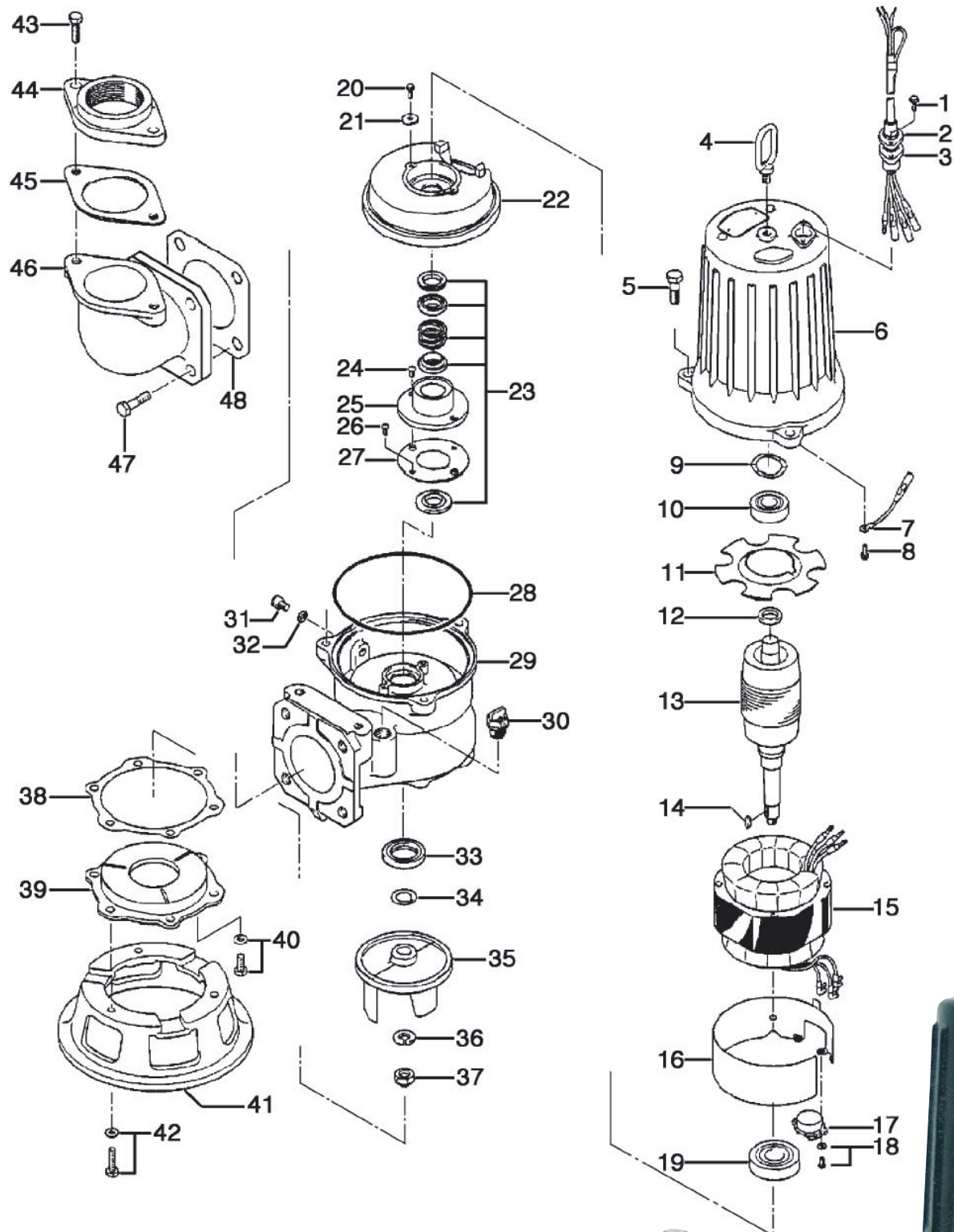


## >> Reservedelsliste B 80B21.5-52



>> Se listen på bagsiden!

**STARING**

Staring Maskinfabrik A/S  
Starengvej 9-11  
DK-9700 Brønderslev

Tlf.: +45 9882 1622  
Fax: +45 9882 5591  
www.staring.dk  
staring@staring.dk

CVR.nr. DK 2767 2701

## >> Reservedelsliste B 80B21.5-52

ITEM	CODE No.	DESCRIPTION	Q'TY	SIZE	MATERIAL	WEIGHT kg	REMARKS
1	140-427-17	Hex.Bolt (w/Plain Washer)	2	M5x15	SUS304	0.001	
2	003-100-13	Gland	1		SUS304	0.01	
3	001-482-16	Cabtyre Cable Set (10m)(EUR)	1	H07RN4Cx1.5mm2(CEE)	LBT		
4	072-000-03	Eye Bolt	1	M10	SUS304		
5	140-076-17	Hex.Bolt	3	M10x30	SUS304	0.029	
6	064-000-08	Motor Frame	1		FC		
7	009-211-16	Earth Terminal	1Set	1.25mm2x120l			
8	143-085-34	Pan Screw (w/Spring Washer)	1	M4x6	BSBM	0.001	
9	142-389-12	Wave Washer	1	#6204	SK-5	0.001	
10	052-187-16	Bearing	1	AC-6204ZZC3		0.7	
11	058-000-01	Lead Wire Protection Plate	1	d61xd136x2l	Resin		
12	061-174-18	Slinger	1	d20xd27x2l	SPC		
13	055-000-01	Rotor	1Set				
14	147-038-18	Impeller Key	1	5x5x15.5l	SUS	0.003	
15	056-001-14	Stator 400V/50Hz	1Set				
16	127-000-15	Protector Fixing Plate	1	KA313d145	SECC		
17	053-000-10	Motor Protector 400V/50Hz	1	KA311-DPXL78	(T.C)	0.015	
18	143-126-12	Pan Screw (w/Spring Washer/Plain Was	2	M4x12	SWRM	0.001	
19	052-108-13	Bearing	1	6305ZZC3		0.24	
20	140-000-23	Hex.Bolt (w/Spring Washer)	2	M5x10	SWRM		
21	062-187-17	Bearing Fixing Washer	2	d5.5xd18x2.3l	SPC	0.004	
22	060-000-16	Bearing Housing	1		FC		
23	025-252-19	Mechanical Seal	1	H-20A	SiC+CCBN	0.09	Oil ISO VG32 (900ml)
24	143-070-23	Pan Screw	2	M5x6	SWRM	0.001	
25	030-144-13	Oil Lifter	1	H-20(A)(T)	Resin	0.038	
26	143-070-10	Pan Screw	2	M5x6	SWRM	0.001	
27	030-153-15	Seal Stopper	1	H-20(A)	SPCC	0.057	
28	122-145-12	O-Ring	1	G-170	NBR	0.002	*
29	020-611-15	Pump Casing	1	15-BE2	FC	10	
30	046-107-13	Air Release Valve	1	PT-1/2	Nylon	0.017	
31	035-124-12	Oil Plug	1	M10x15	SUS304		
32	121-246-11	Packing	1	d10.3xd16x2l	PE	0.001	*
33	026-107-11	Oil Seal	1	TC-32488	NBR	0.012	
34	040-104-25	Impeller Shim		d18.2xd29x0.3l	SUS304	0.001	
35	021-758-21	Impeller (50HZ)	1	80B21.5-52	FC	1.39	
35	021-759-22	Impeller (60HZ)	1	80B21.5-62	FC	1.2	
36	142-165-10	Spring Washer	1	M12	SUS304	0.001	
37	141-118-15	Hex. Cap Nut	1	M12(H=15.5)	SUS304	0.01	
38	120-146-17	Packing (S.Cover)		d136xd157x0.3l	PE	0.003	
39	022-572-19	Suction Cover	1	15-BE2	FC	0.95	
40	140-475-10	Hex.Bolt (w/Spring Washer)	3	M8x16	SUS304		
41	023-151-37	Strainer Stand	1	No.1	FCD	3	
42	140-488-16	Hex.Bolt (w/Spring Washer)	3	M8x30	SUS304		
43	140-099-16	Hex.Bolt	2	M12x40	SUS304	0.049	
44	048-105-17	Screwed Flange	1	65mm(P.C.140)	FC	1	
44	048-106-18	Screwed Flange	1	80mm(P.C.140)	FC	0.09	
45	121-137-18	Packing	1	MBT(P.C.140)	NR	0.03	*
46	037-118-19	Discharge Bend	1	80mm(123-17)	FC	4	
47	140-123-10	Hex.Bolt	4	M16x35	SUS304	0.084	
48	121-152-19	Packing	1	145mm2(P.C.145)	NBR	0.04	*
		<Packing O-Ring Set>					
	173-338-12	Packing O-Ring Set	1Set	(*)		0.09	