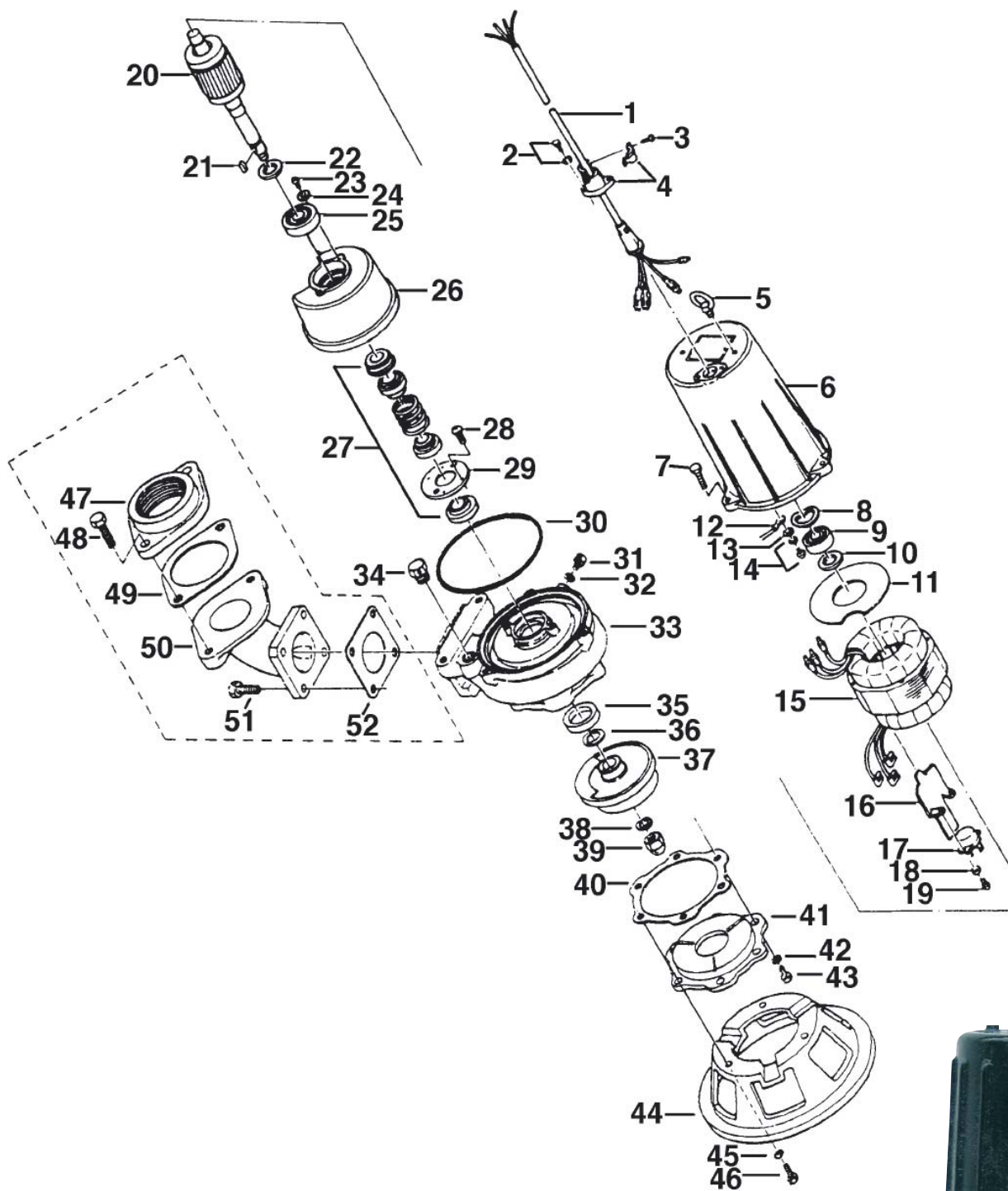


>> Reservedelsliste B 50B 2.75-53



>> Se listen på bagsiden!

STARING

Staring Maskinfabrik A/S
Starengvej 9-11
DK-9700 Brønderslev

Tlf.: +45 9882 1622
Fax: +45 9882 5591
www.staring.dk
staring@staring.dk

CVR.nr. DK 2767 2701



>> Reservedelsliste B 50B 2.75-53

| ITEM | CODE No. | DESCRIPTION | Q'TY | SIZE | MATERIAL | REMARKS |
|------|------------|----------------------------------|------|----------------------------------|-----------|----------------------|
| 1 | 001-482-16 | Cabtyre Cable Set | 10m | H07RN4Cx1,5mm ² (CEE) | LBT (HAR) | |
| 2 | 140-427-17 | Hex. Bolt | 2 | M5x15 | SUS304 | |
| 3 | 143-071-24 | Cross-Recessed Pan Tapping Screw | 1 | M4x12 | SUS304 | |
| 4 | 003-100-13 | Gland | 1 | | SUS304 | |
| 5 | 072-105-12 | Eyebolt | 2 | M8x25 | SS | |
| 6 | 064-000-64 | Motor Frame | 1 | | FC | |
| 7 | 140-056-11 | Hex. Bolt | 3 | M8x30 | SUS304 | |
| 8 | 142-194-18 | Wave Washer | 1 | #6203 | SK-5 | |
| 9 | 052-102-17 | Bearing (old) | 1 | 6203ZZC3 | | |
| 9 | 052-186-15 | Bearing (new) | 1 | AC-6203ZZC3 | SPC | |
| 10 | 061-152-10 | Bearing Collar | 1 | ø17,1xø23x1,6l | SPC | |
| 11 | 058-115-11 | Lead Wire Protection Plate | 1 | ø52xø115x1l | Resin | |
| 12 | 009-112-16 | Earth Terminal | 1Set | 1,25mm ² | | |
| 13 | 142-124-20 | Plain Washer | 1 | M4 | SPC | |
| 14 | 143-086-22 | Cross-Recessed Pan Screw | 1 | M4x8 | SWRM | |
| 15 | 056-003-31 | Stator | 1Set | | | 380V/400V/415V |
| 16 | 127-226-13 | Protector Fixing Plate | 1 | 8-BE2 | SPC | |
| 17 | 053-465-14 | Motor Protector | 1 | KA311-DBXL55 | (T) | 380V/400V/415V |
| 18 | 142-124-20 | Plain Washer | 2 | M4 | SPC | |
| 19 | 143-016-18 | Cross-Recessed Pan Screw | 2 | M4x12 | SWRM | |
| 20 | 055-001-18 | Rotor and Shaft | 1Set | | | |
| 21 | 147-040-13 | Impeller Key | 1 | 5x5x16l | SUS | |
| 22 | 061-158-16 | Bearing Collar | 1 | ø20,1xø28x1,6l | SPC | |
| 23 | 143-028-13 | Cross-Recessed Pan Screw | 2 | M5x10 | SWRM | |
| 24 | 062-187-17 | Bearing Fixing Washer | 2 | ø5,5xø18x2,3t | SPC | |
| 25 | 052-107-12 | Bearing | 1 | 6304ZZC3 | | |
| 26 | 060-227-14 | Bearing Housing | 1 | | FC | |
| 27 | 025-243-17 | Mechanical Seal | 1 | H-20T | SIC | Oil (ISO VG32 420ml) |
| 28 | 143-070-10 | Cross-Recessed Pan Screw | 2 | M5x6 | SWRM | |
| 29 | 030-122-15 | Seal Stopper | 1 | H-20 | SPC | |
| 30 | 122-072-17 | O-Ring | 1 | P-140 | NBR | * |
| 31 | 035-112-17 | Oil Plug | 1 | M8x12 | SUS304 | |
| 32 | 121-248-13 | Packing | 1 | ø8,2xø13,5x2t | PE-Sheet | * |
| 33 | 020-609-10 | Pump Casing | 1 | 8-BE2 | FC | |
| 34 | 046-107-13 | Air Release Valve | 1 | PT-½" | Nylon | |
| 35 | 026-107-11 | Oil Seal | 1 | DD-32488 | NBR | |
| 36 | 040-104-25 | Impeller Shim | | ø18,2xø29x0,3l | SUS304 | |
| 37 | 021-720-11 | Impeller | 1 | 8-BE2/50Hz | FC | |
| 37 | 021-721-12 | Impeller | 1 | 8-BE2/60Hz | FC | |
| 38 | 142-165-10 | Spring Washer | 1 | M12 | SUS304 | |
| 39 | 141-118-15 | Hex. Cap Nut | 1 | M12 (H=15,5) | SUS304 | |
| 40 | 120-145-16 | Suction Cover Packing | | ø112xø129x0,3t(6) | PE-Sheet | |
| 41 | 022-569-13 | Suction Cover | 1 | 8-BE2 | FC | |
| 42 | 142-163-18 | Spring Washer | 3 | M8 | SUS304 | |
| 43 | 140-051-16 | Hex. Bolt | 3 | M8x15 | SUS304 | |
| 44 | 023-331-17 | Strainer Stand | 1 | No.1 | FCD | |
| 45 | 142-163-18 | Spring Washer | 3 | M8 | SUS304 | |
| 46 | 140-055-10 | Hex. Bolt | 3 | M8x25 | SUS304 | |
| 47 | 048-104-16 | Screwed Flange | 1 | 50mm (P.C. 140) | FC | |
| 48 | 140-099-16 | Hex. Bolt | 2 | M12x40 | SUS304 | |
| 49 | 121-137-18 | Packing | 1 | MBT (P.C. 140) | NR | |
| 50 | 037-117-18 | Discharge Bend | 1 | 50mm (122-16) | FC | |
| 51 | 140-078-19 | Hex. Bolt | 4 | M10x35 | SUS304 | |
| 52 | 121-142-16 | Packing | 1 | 90mm ² (P.C. 98) | NBR | * |
| | 173-336-10 | Packing O-Ring Set | 1set | (*) | | |