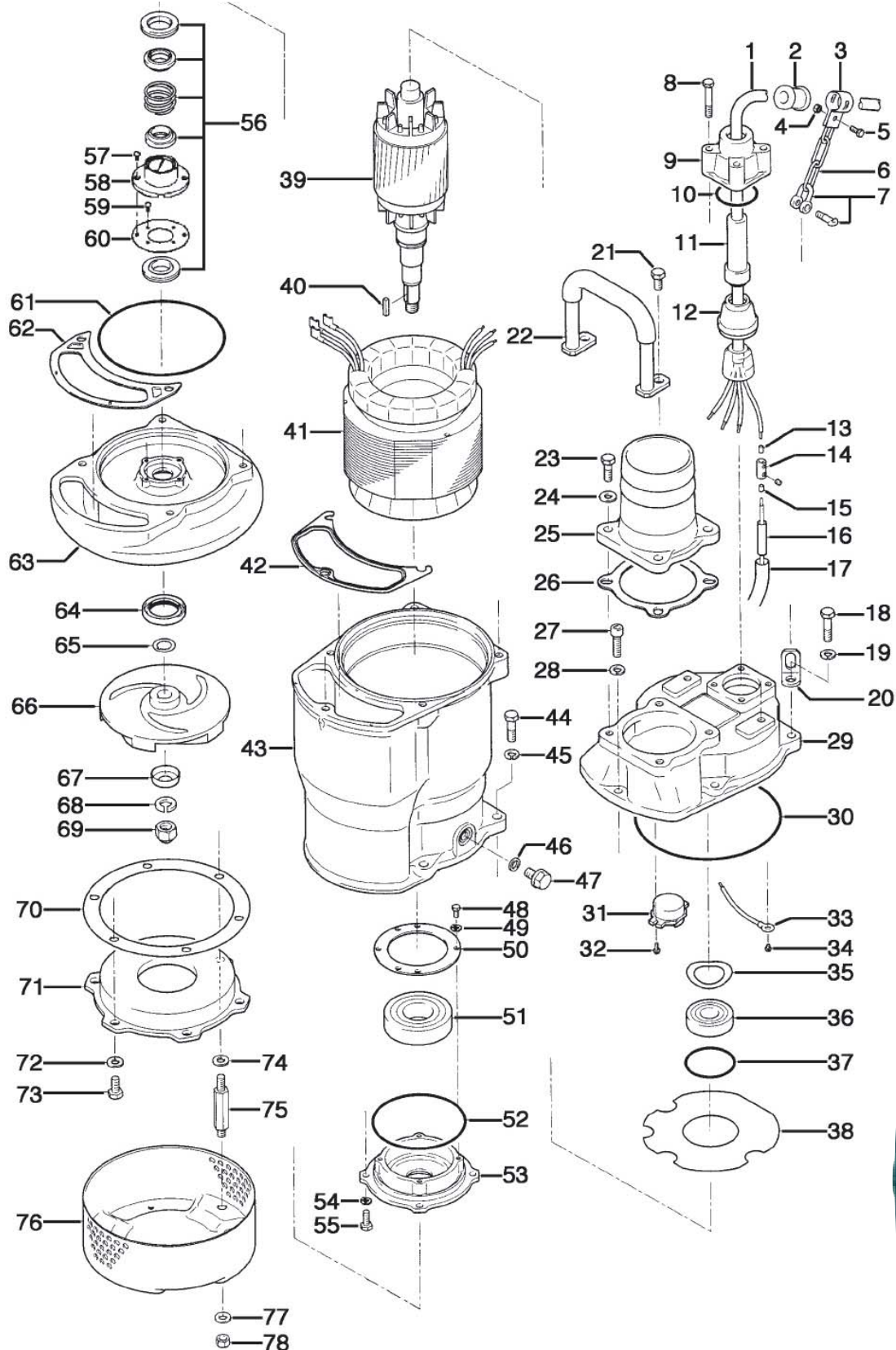


## >> Reservedelsliste KTZ 45.5-51



**STARING**

Staring Maskinfabrik A/S  
Starengvej 9-11  
DK-9700 Brønderslev

Tlf.: +45 9882 1622  
Fax: +45 9882 5591  
www.staring.dk  
staring@staring.dk

CVR.nr. DK 2767 2701

## >> Reservedelsliste KTZ 45.5-51

ITEM	CODE No.	DESCRIPTION	Q'TY	SIZE	MATERIAL	WEIGHT kg	REMARKS
1	001-TEG-02	Cabtyre Cable Set	20m	H07RN-F4C2,5mm²			
1	001-949-16	Cabtyre Cable Set	20m	H07RN-F4C2,5mm²			
2	010-121-19	Cable Clip Rubber	1	No.1	NBR	0.02	
3	010-120-18	Cable Clip	1	No.2-1	SPC	0.025	
4	141-004-59	Hex.Nul	1	M6	SWRM		
5	140-032-37	Hex.Bolt	1	M6x15	SWRM	0.001	
6	095-131-18	Chain	1	d4(3-Link)	SS	0.021	
7	011-110-11	Shackle	1	6mm	SS	0.025	
8	140-060-18	Hex Bolt	4	M8x50	SUS304	0.025	
9	006-167-17	Stuffing Box	1	No.1-3	FC	0.675	
10	122-121-12	O-Ring	1	G-50	NBR	0.001	*
11	004-168-12	Cable Bush	1	No.2	CR	0.055	
12	008-156-19	Mould Cover	1	No.1-3	ADC	0.065	
13	009-123-10	Terminal	4	P-5.5	CU	0.001	
14	009-101-12	Terminal(C/W Screw)	4	d12x(d6.6xd6.6)x25l	BSBM	0.017	
16	002-129-15	Heat Shrink Tube (Sold per meter)	m	EVA(d14x1t)		0.045	
17	002-132-11	Heat Shrink Tube (Sold per meter)	m	A4(d17x0.3t)		0.015	
18	140-079-10	Hex.Bolt	4	M10x40	SUS304	0.035	
19	142-164-19	Spring Washer	4	M10	SUS304	0.001	
20	070-117-11	L-Shape Fitting	1	40x25x4.5t d13Hole	SPC	0.035	
21	140-074-15	Hex.Bolt	2	M10x20	SUS304	0.024	
22	068-262-15	Handle	1	KTZ23.7/45.5	SGP+SS	0.42	
23	140-076-59	Hex.Bolt	4	M10x30	SUS410	0.029	
24	142-128-24	Plain Washer	4	M10	SPC	0.001	
25	032-127-29	Hose Coupling	1	100mm(37L)	ADC	0.83	
25	032-438-13	BS-Coupling (outside thread)	1	100mm	FC		
26	121-141-15	Packing	1	KRB-3"4" Type	NR	0.03	*
27	140-288-14	Hex. Socket Cap Bolt	1	M10x35	SUS304	0.03	
28	142-164-19	Spring Washer	1	M10	SUS304	0.001	
29	050-000-03	Motor Bracket	1		FC	5.50	
30	122-000-09	O-Ring	1	195xd3.8	NBR		*
31	053-506-18	Motor Protector 380-420V-50HZ 380-460V-60HZ	1	KA314-HLXL00	(B.C)		
32	143-126-12	Pan Screw (w/Spring Washer/Plain Washer)	2	M4x12	SWRM	0.001	
33	009-294-13	Earth Terminal	1Set	3.5mmx170L			
34	143-085-34	Pan Screw (w/Spring Washer)	1	M4x6	BSBM	0.001	
35	142-197-11	Wave Washer	1	#6305	SK-5		
36	052-108-13	Bearing	1	6305ZZC3		0.24	
37	122-244-12	O-Ring	1	61.4xd3.1	NBR	0.001	*
38	058-000-02	Lead Wire Protection Plate	1	d84xd199.5x1.5t	Bakelite		
39	055-000-09	Rotor	1Set				
40	147-026-13	Impeller Key	1	5x5x25l	SUS	0.005	
41	056-000-16	Stator 380-420V-50HZ 380-460V-60HZ	1Set				
42	121-000-14	Packing (Water Way, Upp.)	1	KTZ35.5/67.5-51/61	NBR		*
43	064-000-02	Motor Frame	1		FC		
44	140-078-19	Hex.Bolt	4	M10x35	SUS304	0.031	
45	142-164-19	Spring Washer	4	M10	SUS304	0.001	
46	121-247-12	Packing	1	d11.8xd18x2t	PE	0.001	*
47	140-000-17	Hex.Bolt (w/Flange)	1	M12x15(Oil Plug)	SUS304		
48	140-030-35	Hex.Bolt	4	M6x12	SWRM	0.001	
49	142-162-33	Spring Washer	4	M6	SWRH	0.001	
50	062-220-13	Bearing Cover	1	d80xd115x3.2t	SPCC	0.125	
51	052-111-19	Bearing	1	6308ZZC3		0.655	
52	122-135-19	O-Ring	1	G-120	NBR	0.004	*
53	060-410-16	Bearing Housing	1		FC	1.50	
54	142-163-34	Spring Washer	4	M8	SWRH	0.001	
55	140-054-48	Hex.Bolt	4	M8x20	SWRM	0.012	
56	025-000-01	Mechanical Seal	1	HT-2530N	SiC		Oil ISO VG32 1100ml
57	143-070-23	Pan Screw	2	M5x6	SWRM	0.001	
58	030-139-15	Oil Lifter	1	HT-2530	Resin	0.044	
59	143-070-10	Pan Screw	4	M5x6	SWRM	0.001	
60	030-148-17	Seal Stopper	1	HT-2530	SPCC	0.078	
61	122-283-13	O-Ring	1	165xd3.1	NBR	0.001	*
62	121-124-12	Packing (Water Way, Low.)	1	KTV-37/55	NBR	0.025	*
63	020-976-11	Pump Casing	1	KTZ35.5/45.5	FC	8.70	
64	026-144-49	Oil Seal	1	DD-40588	NBR	0.015	
65	040-106-27	Impeller Shim		d20.2xd30x0.3t	SUS304	0.001	
66	021-565-29	Impeller (50Hz)	1	KTZ45.5-51	HiCrFC	1.80	
66	021-562-26	Impeller (60Hz)	1	KTZ45.5-61	HiCrFC	1.40	
67	047-104-26	Impeller Thread Protect.Cover	1	No.3B(18)	SUS304	0.012	
68	142-166-11	Plain Washer	1	M16	SUS304	0.01	
69	141-033-15	Hex.Cap Nul	1	M16	SUS304	0.035	
70	120-109-21	Packing (S.Cover)		d180xd220x0.3t	PE	0.006	
71	022-000-56	Suction Cover	1	KTZ43.7/45.5	FCD	1.80	
72	142-128-24	Plain Washer	3	M10	SPC	0.001	
73	140-074-15	Hex.Bolt	3	M10x20	SUS304	0.024	
74	142-128-24	Plain Washer	3	M10	SPC	0.001	
75	144-000-09	Stud Bolt	3	M10x94(20/14)	SUS403	0.132	
76	023-471-10	Strainer Stand	1	KTZ23.7/45.5	SPCC	1.30	
77	142-128-24	Plain Washer	3	M10	SPC	0.001	
78	141-006-77	Hex.Nul	3	M10	S45C	0.01	
		<Packing O-Ring Set>					
	173-000-42	Packing O-Ring Set	1Set	(*)			