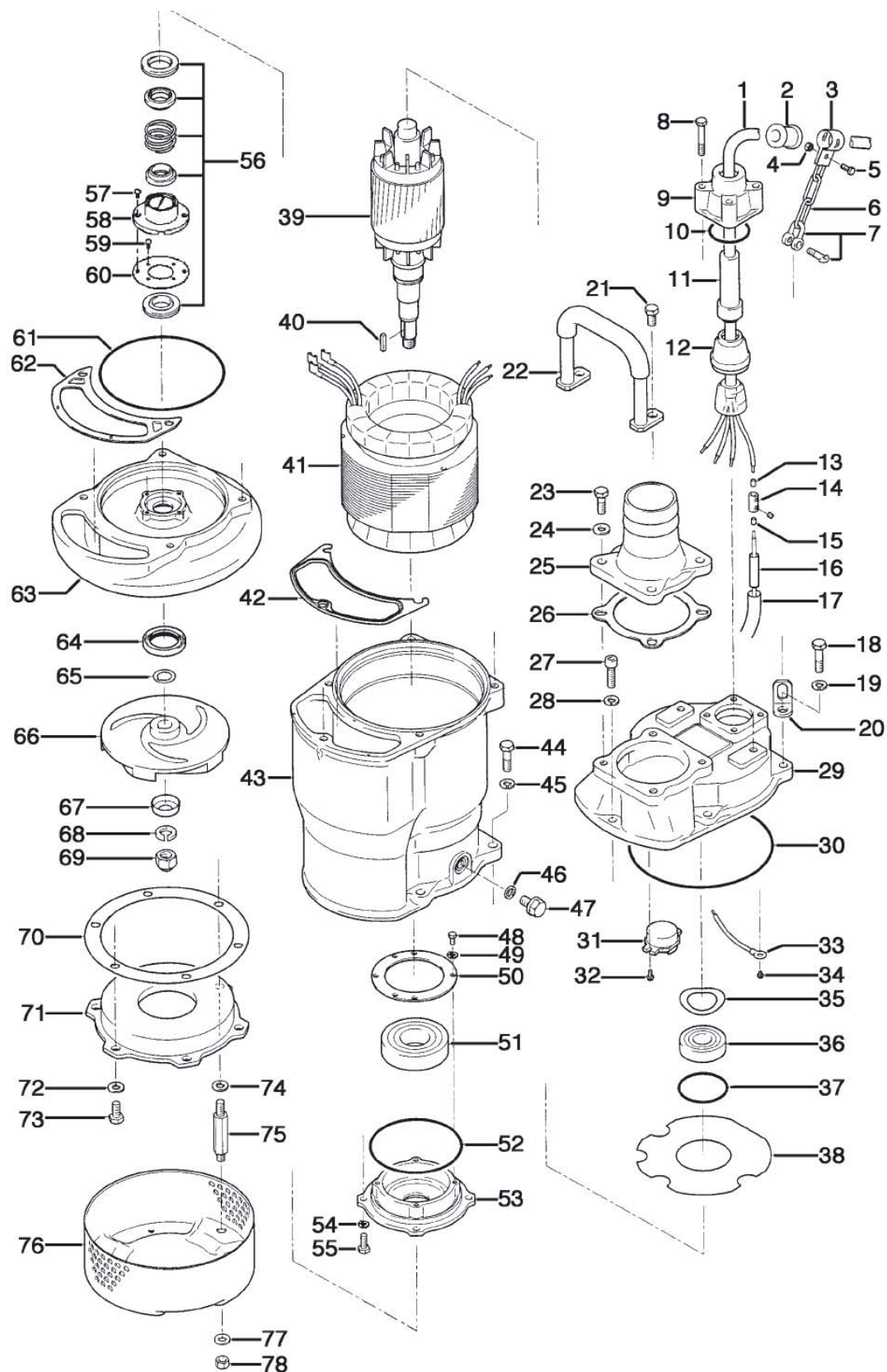


>> Reservedelsliste KTZ 35.5-51



STARING

Staring Maskinfabrik A/S
Starengvej 9-11
DK-9700 Brønderslev

Tlf.: +45 9882 1622
Fax: +45 9882 5591
www.staring.dk
staring@staring.dk

CVR.nr. DK 2767 2701



>> Reservedelsliste KTZ 35.5-51

| ITEM | CODE No. | DESCRIPTION | Q'TY | SIZE | MATERIAL | WEIGHT kg | REMARKS |
|------|------------|--|------|-----------------------------|----------|-----------|---------------------|
| 1 | 001-TEG-02 | Cabtyre Cable Set | 20m | H07RN-F4C2,5mm ² | | | |
| 1 | 001-949-16 | Cabtyre Cable Set | 20m | H07RN-F4C2,5mm ² | | | |
| 2 | 010-121-19 | Cable Clip Rubber | 1 | No.1 | NBR | 0.02 | |
| 3 | 010-120-18 | Cable Clip | 1 | No.2-1 | SPC | 0.025 | |
| 4 | 141-004-59 | Hex.Nut | 1 | M6 | SWRM | | |
| 5 | 140-032-37 | Hex.Bolt | 1 | M6x15 | SWRM | 0.001 | |
| 6 | 095-131-18 | Chain | 1 | d4(3-Link) | SS | 0.021 | |
| 7 | 011-110-11 | Shackle | 1 | 6mm | SS | 0.025 | |
| 8 | 140-060-18 | Hex.Bolt | 4 | M8x50 | SUS304 | 0.025 | |
| 9 | 006-167-17 | Stuffing Box | 1 | No.1-3 | FC | 0.675 | |
| 10 | 122-121-12 | O-Ring | 1 | G-50 | NBR | 0.001 | * |
| 11 | 004-168-12 | Cable Bush | 1 | No.2 | CR | 0.055 | |
| 12 | 008-156-19 | Mould Cover | 1 | No.1-3 | ADC | 0.065 | |
| 13 | 009-123-10 | Terminal | 4 | P-5.5 | CU | 0.001 | |
| 14 | 009-101-12 | Terminal(C/W Screw) | 4 | d12x(d6.6xd6.6)x25 | BSBM | 0.017 | |
| 16 | 002-129-15 | Heat Shrink Tube (Sold per meter) | m | EVA(d14x1t) | | 0.045 | |
| 17 | 002-132-11 | Heat Shrink Tube (Sold per meter) | m | A4(d17x0.3t) | | 0.015 | |
| 18 | 140-079-10 | Hex.Bolt | 4 | M10x40 | SUS304 | 0.035 | |
| 19 | 142-164-19 | Spring Washer | 4 | M10 | SUS304 | 0.001 | |
| 20 | 070-117-11 | L-Shape Fitting | 1 | 40x25x4.5t d13Hole | SPC | 0.035 | |
| 21 | 140-074-15 | Hex.Bolt | 2 | M10x20 | SUS304 | 0.024 | |
| 22 | 068-262-15 | Handle | 1 | KTZ23.7/45.5 | SGP+SS | 0.42 | |
| 23 | 140-076-59 | Hex.Bolt | 4 | M10x30 | SUS410 | 0.029 | |
| 24 | 142-128-24 | Plain Washer | 4 | M10 | SPC | 0.001 | |
| 25 | 032-118-27 | Hose Coupling | 1 | 80mm(37M) | ADC | 0.65 | |
| 25 | 032-437-12 | BS-Coupling (outside thread) | 1 | 80mm | FC | | |
| 26 | 121-141-15 | Packing | 1 | KRB-3"1/4" Type | NR | 0.03 | * |
| 27 | 140-288-14 | Hex. Socket Cap Bolt | 1 | M10x35 | SUS304 | 0.03 | |
| 28 | 142-164-19 | Spring Washer | 1 | M10 | SUS304 | 0.001 | |
| 29 | 050-000-03 | Motor Bracket | 1 | | FC | | |
| 30 | 122-000-09 | O-Ring | 1 | 195xd3.8 | NBR | | * |
| 31 | 053-506-18 | Motor Protector 380-420V-50HZ 380-460V | 1 | KA314-HLXL00 | (B.C) | 0.045 | |
| 32 | 143-126-12 | Pan Screw (w/Spring Washer/Plain Washer) | 2 | M4x12 | SWRM | 0.001 | |
| 33 | 009-294-13 | Earth Terminal | 1Set | 3.5mmx170L | | | |
| 34 | 143-085-34 | Pan Screw (w/Spring Washer) | 1 | M4x6 | BSBM | 0.001 | |
| 35 | 142-197-11 | Wave Washer | 1 | #6305 | SK-5 | | |
| 36 | 052-108-13 | Bearing | 1 | 6305ZZC3 | | 0.24 | |
| 37 | 122-244-12 | O-Ring | 1 | 61.4xd3.1 | NBR | 0.001 | * |
| 38 | 058-000-02 | Lead Wire Protection Plate | 1 | d84xd199.5x1.5t | Bakelite | | |
| 39 | 055-000-09 | Rotor | 1Set | | | | |
| 40 | 147-026-13 | Impeller Key | 1 | 5x5x25l | SUS | 0.005 | |
| 41 | 056-000-16 | Stator 380-420V-50HZ 380-460V-60HZ | 1Set | | | | |
| 42 | 121-000-14 | Packing (Water Way, Upp.) | 1 | KTZ35.5/67.5-51/61 | NBR | | * |
| 43 | 064-000-02 | Motor Frame | 1 | | FC | | |
| 44 | 140-078-19 | Hex.Bolt | 4 | M10x35 | SUS304 | 0.031 | |
| 45 | 142-164-19 | Spring Washer | 4 | M10 | SUS304 | 0.001 | |
| 46 | 121-247-12 | Packing | 1 | d11.8xd18x2t | PE | 0.001 | * |
| 47 | 140-000-17 | Hex.Bolt (w/Flange) | 1 | M12x15(Oil Plug) | SUS304 | | |
| 48 | 140-030-35 | Hex.Bolt | 4 | M6x12 | SWRM | 0.001 | |
| 49 | 142-162-33 | Spring Washer | 4 | M6 | SWRH | 0.001 | |
| 50 | 062-220-13 | Bearing Cover | 1 | d80xd115x3.2t | SPCC | 0.125 | |
| 51 | 052-111-19 | Bearing | 1 | 6308ZZC3 | | 0.655 | |
| 52 | 122-135-19 | O-Ring | 1 | G-120 | NBR | 0.004 | * |
| 53 | 060-410-16 | Bearing Housing | 1 | | FC | 1.50 | |
| 54 | 142-163-34 | Spring Washer | 4 | M8 | SWRH | 0.001 | |
| 55 | 140-054-48 | Hex.Bolt | 4 | M8x20 | SWRM | 0.012 | |
| 56 | 025-000-01 | Mechanical Seal | 1 | HT-2530N | SIC | | Oil ISO VG32 1100ml |
| 57 | 143-070-23 | Pan Screw | 2 | M5x6 | SWRM | 0.001 | |
| 58 | 030-139-15 | Oil Lifter | 1 | HT-2530 | Resin | 0.044 | |
| 59 | 143-070-10 | Pan Screw | 4 | M5x6 | SWRM | 0.001 | |
| 60 | 030-148-17 | Seal Stopper | 1 | HT-2530 | SPCC | 0.078 | |
| 61 | 122-283-13 | O-Ring | 1 | 165xd3.1 | NBR | 0.001 | * |
| 62 | 121-124-12 | Packing (Water Way, Low.) | 1 | KTV-37/55 | NBR | 0.025 | * |
| 63 | 020-976-11 | Pump Casing | 1 | KTZ35.5/45.5 | FC | 8.70 | |
| 64 | 026-144-49 | Oil Seal | 1 | DD-40588 | NBR | 0.015 | |
| 65 | 040-106-27 | Impeller Shim | | d20.2xd30x0.3t | SUS304 | 0.001 | |
| 66 | 021-L18-19 | Impeller (50Hz) | 1 | KTZ35.5-51 | HiCrFC | 2.00 | |
| 66 | 021-L16-17 | Impeller (60Hz) | 1 | KTZ35.5-61 | HiCrFC | 2.00 | |
| 67 | 047-104-26 | Impeller Thread Protect Cover | 1 | No.3B(18) | SUS304 | 0.012 | |
| 68 | 142-166-11 | Plain Washer | 1 | M16 | SUS304 | 0.01 | |
| 69 | 141-033-15 | Hex.Cap Nut | 1 | M16 | SUS304 | 0.035 | |
| 70 | 120-109-21 | Packing (S.Cover) | | d180xd220x0.3t | PE | 0.006 | |
| 71 | 022-000-55 | Suction Cover | 1 | KTZ33.7/35.5 | FCD | 2.40 | |
| 72 | 142-128-24 | Plain Washer | 3 | M10 | SPC | 0.001 | |
| 73 | 140-074-15 | Hex.Bolt | 3 | M10x20 | SUS304 | 0.024 | |
| 74 | 142-128-24 | Plain Washer | 3 | M10 | SPC | 0.001 | |
| 75 | 144-000-09 | Stud Bolt | 3 | M10x94(20/14) | SUS403 | 0.132 | |
| 76 | 023-471-10 | Strainer Stand | 1 | KTZ23.7/45.5 | SPCC | 1.30 | |
| 77 | 142-128-24 | Plain Washer | 3 | M10 | SPC | 0.001 | |
| 78 | 141-006-77 | Hex.Nut | 3 | M10 | S45C | 0.01 | |
| | | <Packing O-Ring Set> | | | | | |
| | 173-000-42 | Packing O-Ring Set | 1Set | (*) | | | |