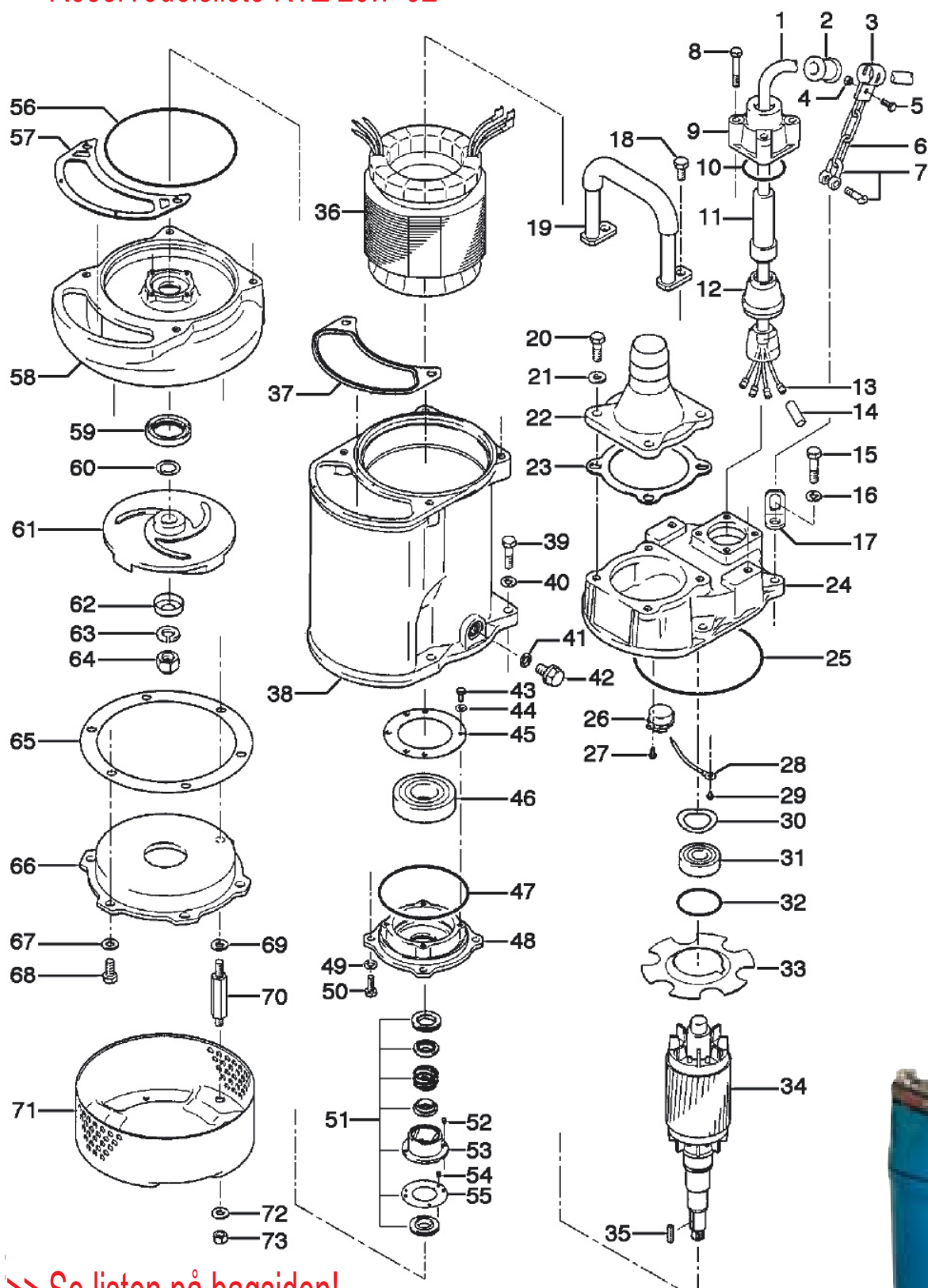


>> Reservedelsliste KTZ 23.7-52



>> Se listen på bagsiden!

STARING

Staring Maskinfabrik A/S
Starengvej 9-11
DK-9700 Brønderslev

Tlf.: +45 9882 1622
Fax: +45 9882 5591
www.staring.dk
staring@staring.dk

CVR.nr. DK 2767 2701



>> Reservedelsliste KTZ 23.7-52

ITEM	CODE No.	DESCRIPTION	Q'TY	SIZE	MATERIAL	WEIGHT kg	REMARKS
1	001-884-12	Cabtyre Cable Set (20m)400/415V-50Hz	1	H07RNxF4Cx1.5mm2(CEE			
1	001-TEG-02	Cabtyre Cable Set (20m)400/415V-50Hz	1	H07RNxF4Cx2.5mm2(CEE			
2	010-124-15	Cable Clip Rubber	1	No.3	NBR	0.02	
3	010-120-18	Cable Clip	1	No.2-1	SPC	0.025	
4	141-004-59	Hex.Nul	1	M6	SWRM		
5	140-032-37	Hex.Bolt	1	M6x15	SWRM	0.001	
6	095-131-18	Chain	1	d4(3-Link)	SS	0.021	
7	011-110-11	Shackle	1	6mm	SS	0.025	
8	140-060-18	Hex.Bolt	4	M8x50	SUS304	0.025	
9	006-167-17	Stuffing Box	1	No.1-3	FC	0.675	
10	122-121-12	O-Ring	1	G-50	NBR	0.001	*
11	004-167-11	Cable Bush	1	No.1	CR	0.065	
12	008-156-19	Mould Cover	1	No.1-3	ADC	0.065	
13	009-126-13	Terminal	4	1.25mm2/2mm2	Nylon	0.002	
14	002-135-14	Heat Shrink Tube (Sold per meter	m	A(d15x0.3t)		0.015	
15	140-079-10	Hex.Bolt	4	M10x40	SUS304	0.035	
16	142-164-19	Spring Washer	4	M10	SUS304	0.001	
17	070-117-11	L-Shape Fitting	1	40x25x4.5t d13Hole	SPC	0.035	
18	140-074-15	Hex.Bolt	2	M10x20	SUS304	0.024	
19	068-262-15	Handle	1	KTZ23.7/45.5	SGP+SS	0.42	
20	140-076-59	Hex.Bolt	4	M10x30	SUS410	0.029	
21	142-128-24	Plain Washer	4	M10	SPC	0.001	
22	032-151-19	Hose Coupling	1	50mm(GH)	ADC	0.51	
22	032-436-11	Hose Coupling BS	1	50mm(BS)			
23	121-141-15	Packing	1	KRB-3/4	NR	0.03	*
24	050-419-14	Motor Bracket	1		FC	6.5	
25	122-276-13	O-Ring	1	160xd3.1	NBR	0.005	*
26	053-000-02	Motor Protector	1	KA313-GDVL103	(T.C)		
27	143-126-12	Pan Screw (w/Spring Washer/Plain Was	2	M4x12	SWRM	0.001	
28	009-293-12	Earth Terminal	1	2mm2x180l			
29	143-085-34	Pan Screw (w/Spring Washer)	1	M4x6	BSBM	0.001	
30	142-196-10	Wave Washer	1	#6205/6304	SK-5	0.001	
31	052-107-12	Bearing	1	6304ZZC3		0.15	
32	122-367-12	O-Ring	1	52xd3.1	NBR	0.001	*
33	058-000-04	Lead Wire Protection Plate	1	d66xd150x1.5t	Bakelite		
34	055-000-33	Rotor	1set				
35	147-026-13	Impeller Key	1	5x5x25l	SUS	0.005	
36	056-001-27	Stator	1set				
37	121-506-12	Packing (Water Way, Upp.)	1	KTZ23.7/33.7/43.7	NBR	0.015	*
38	064-000-19	Motor Frame	1		FC		
39	140-078-19	Hex.Bolt	4	M10x35	SUS304	0.031	
40	142-164-19	Spring Washer	4	M10	SUS304	0.001	
41	121-247-12	Packing	1	d11.8xd18x2t	PE	0.001	*
42	140-000-17	Hex.Bolt (w/Flange)	1	M12x15(Oil Plug)	SUS304		
43	140-030-35	Hex.Bolt	4	M6x12	SWRM	0.001	
44	142-162-33	Spring Washer	4	M6	SWRH	0.001	
45	062-219-19	Bearing Cover	1	d70xd105x2.3t	SPCC	0.115	
46	052-110-18	Bearing	1	6307ZZC3		0.48	
47	122-133-17	O-Ring	1	G-110	NBR	0.001	*
48	060-411-17	Bearing Housing	1		FC	1.5	
49	142-163-34	Spring Washer	4	M8	SWRH	0.001	
50	140-054-48	Hex.Bolt	4	M8x20	SWRM	0.012	
51	025-000-01	Mechanical Seal	1	HT-2530N	SiC	0.155	Oil ISO VG32 1200ml
52	143-070-23	Pan Screw	2	M5x6	SWRM	0.001	
53	030-139-15	Oil Lifter	1	HT-2530	Resin	0.044	
54	143-070-10	Pan Screw	4	M5x6	SWRM	0.001	
55	030-148-17	Seal Stopper	1	HT-2530	SPCC	0.078	
56	122-283-13	O-Ring	1	165xd3.1	NBR	0.001	*
57	121-124-12	Packing (Water Way, Low.)	1	KTV-37/55	NBR	0.025	*
58	020-975-10	Pump Casing (1st)	1	KTZ23.7/33.7/43.7	FC		
58	020-001-02	Pump Casing (2nd)	1	KTZ23.7/33.7/43.7	FC		
59	026-144-23	Oil Seal (1st)	1	DD-40588	NBR	0.015	
59	026-144-49	Oil Seal (2nd)	1	TC-40588	NBR		
60	040-106-27	Impeller Shim		d20.2xd30x0.3t	SUS304	0.001	
61	021-L14-15	Impeller (50Hz)	1	KTZ23.7-52	HiCrFC	2	
61	021-L15-16	Impeller (60Hz)	1	KTZ23.7-62	HiCrFC	1.6	
62	047-104-26	Impeller Thread Protect.Cover	1	No.3B(18)	SUS304	0.012	
63	142-166-11	Spring Washer	1	M16	SUS304	0.01	
64	141-033-15	Hex.Cap Nul	1	M16	SUS304	0.035	
65	120-109-21	Packing (S.Cover)		d180xd222x0.3t(d12)	PE	0.006	
66	022-750-13	Suction Cover (1st)	1	KTZ23.7	FCD	2.6	
66	022-000-54	Suction Cover (2nd)	1	KTZ23.7	FCD	2.6	
67	142-128-24	Plain Washer	3	M10	SPC	0.001	
68	140-074-15	Hex.Bolt	3	M10x20	SUS304	0.024	
69	142-128-24	Plain Washer	3	M10	SPC	0.001	
70	144-000-09	Stud Bolt	3	M10x94(20/14)	SUS403	0.132	
71	023-471-10	Strainer Stand	1	KTZ23.7/45.5	SPCC	1.3	
72	142-128-24	Plain Washer	3	M10	SPC	0.001	
73	141-006-77	Hex.Nul	3	M10	S45C	0.01	
		<Packing O-Ring Set>					
	173-514-14	Packing O-Ring Set	1set	(*)		0.085	