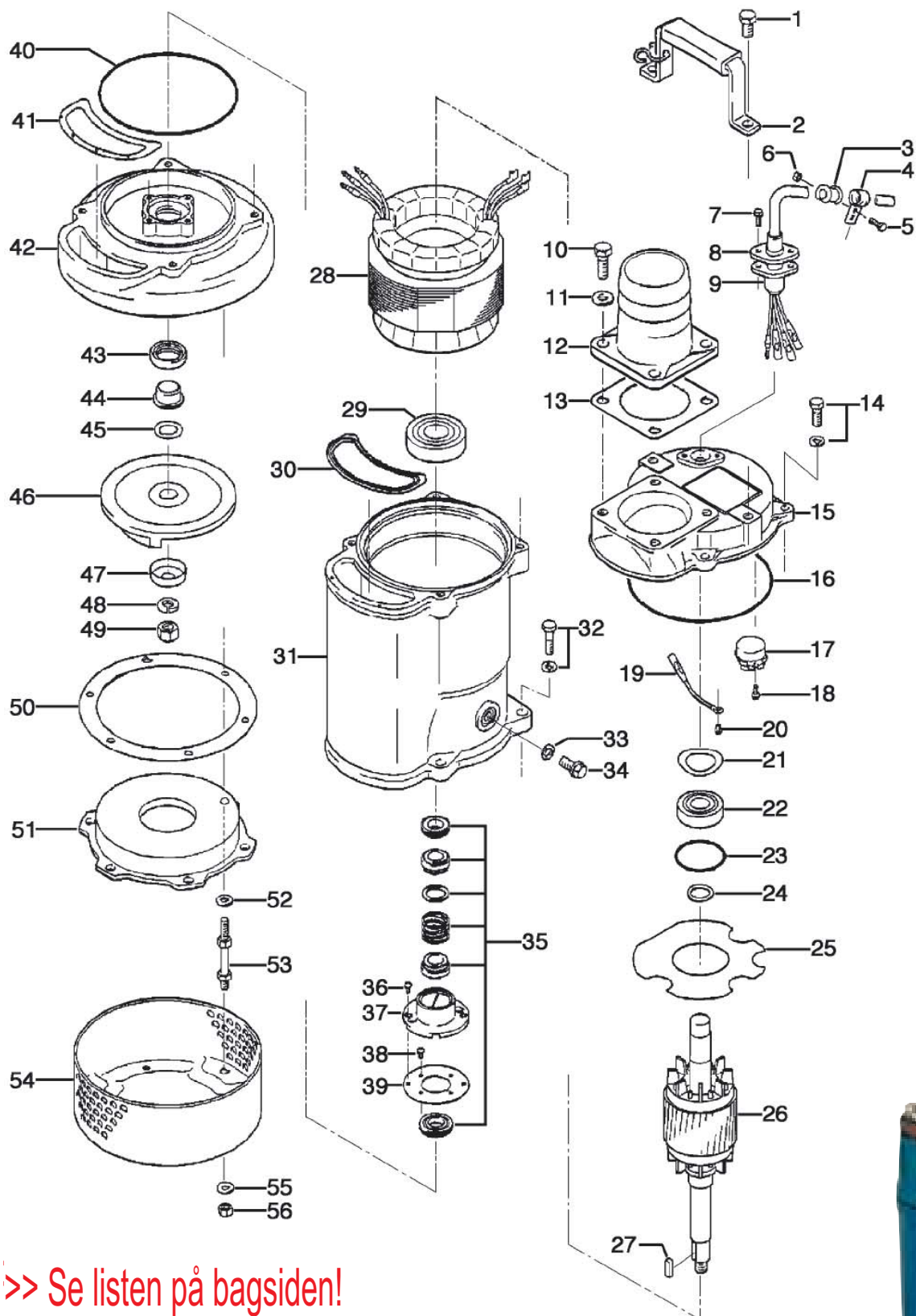


## >> Reservedelsliste KTZ 32.2-51



>> Se listen på bagsiden!

**STARING**

Staring Maskinfabrik A/S  
Starengvej 9-11  
DK-9700 Brønderslev

Tlf.: +45 9882 1622

Fax: +45 9882 5591

www.staring.dk

staring@staring.dk

CVR.nr. DK 2767 2701



## >> Reservedelsliste KTZ 32.2-51

ITEM	CODE No.	DESCRIPTION	QTY	SIZE	MATERIAL	WEIGHT kg	REMARKS
1	140-074-15	Hex Bolt	2	M10x20	SUS304	0.024	
2	068-000-08	Handle	1	KTZ21.5/32.2( w/Shackle)	SPC+NBR		
3	010-126-17	Cable Clip Rubber	1	HS2	NBR	0.002	
4	010-105-10	Cable Clip	1	SB	SPC	0.01	
5	140-018-37	Hex Bolt	1	M5x15	SWRM		
6	141-003-58	Hex Nut	1	M5	SWRM	0.001	
7	140-427-17	Hex Bolt (w/Plain Washer)	2	M5x15	SUS304	0.001	
8	003-100-13	Gland	1		LB	0.01	
9	001-482-29	Cabtyre Cable Set	20m	H07RN4Cx1,5mm²(CEE)	LBT(HAR)		
9A	061-TEG-02	Cable Repair Kit	1				
10	140-076-59	Hex Bolt	4	M10x30	SUS410	0.029	
11	142-128-24	Plain Washer	4	M10	SPC	0.001	
12	032-116-12	Hose Coupling	1	80mm(15L)	ADC	0.42	
12	032-435-10	BS-Coupling (outside thread)	1	80mm	FC		
13	121-181-17	Packing	1	KT-15	NBR	0.02	*
14	140-488-16	Hex Bolt (w/Spring Washer)	4	M8x30	SUS304		
15	050-420-18	Motor Bracket	1		FC	4,50	
16	122-140-17	O-Ring	1	G-145	NBR	0.001	*
17	053-477-19	Motor Protector 380-420V-50HZ 380-460V	1	KA313-GQXL104	(T.C)	4,00	
18	143-126-12	Pan Screw (w/Spring Washer/Plain Washer)	2	M4x12	SWRM	0.001	
19	009-292-11	Earth Terminal	1Set	1.25mmx140L			
20	143-085-34	Pan Screw (w/Spring Washer)	1	M4x6	BSBM	0.001	
21	142-389-12	Wave Washer	1	#6204	SK-5	0.001	
22	052-103-18	Bearing	1	6204ZZC3		0.11	
23	122-293-16	O-Ring	1	47xd3.1	NBR	0.002	*
24	061-174-18	Slinger	1	d20xd27x2t	SPC		
25	058-000-01	Lead Wire Protection Plate	1	d61xd136x2t	Resin		
26	055-706-16	Rotor	1Set			3,50	
27	147-017-11	Impeller Key	1	5x5x20l	SUS		
28	056-001-19	Stator 380-420V-50HZ 380-460V-60HZ	1Set				
29	052-108-13	Bearing	1	6305ZZC3		0.24	
30	121-507-13	Packing (Water Way, Upp.)	1	KTZ21.5/32.2	NBR	0.001	*
31	064-000-10	Motor Frame	1		FC	9,00	
32	140-488-16	Hex Bolt (w/Spring Washer)	4	M8x30	SUS304		
33	121-246-11	Packing	1	d10.3xd16x2t	PE	0.001	*
34	035-000-01	Oil Plug	1	M10x16L	SUS304	0.02	
34	035-125-13	Oil Plug (old version)	1	M10x20(B=13)	SUS304	0.02	old version
35	025-243-17	Mechanical Seal	1	H-20T	SiC+CCBN	0.09	oil ISO VG32 740ml
36	143-070-23	Pan Screw	2	M5x6	SWRM	0.001	
37	030-144-13	Oil Lifter	1	H-20(A)(T)	Resin	0.038	
38	143-070-10	Pan Screw	4	M5x6	SWRM	0.001	
39	030-154-16	Seal Stopper	1	H-20T	SPCC	0.059	
40	122-139-13	O-Ring	1	G-140	NBR	0.001	*
41	121-501-17	Packing (Water Way, Low.)	1	KTZ21.5/22.2	NBR	0.002	*
42	020-001-01	Pump Casing	1	KTZ21.5/32.2	FC	5,00	
42	020-972-17	Pump Casing (old version)	1	KTZ21.5/32.2	FC	5,00	old version
43	026-105-19	Oil Seal	1	TC-253808	NBR	0.008	
43	026-105-19	Oil Seal (old version)	1	TC-25388	NBR	0.008	old version
44	071-314-13	Shaft Sleeve	1	d20xd25x16l	SUS304	0.025	
45	040-104-25	Impeller Shim		d18.2xd29x0.3t	SUS304	0.001	
46	021-556-27	Impeller (50Hz)	1	KTZ32.2-51	HiCrFC	0.8	
46	021-552-23	Impeller (60Hz)	1	KTZ32.2-61	HiCrFC	1,10	
47	047-113-28	Impeller Thread Protect.Cover	1	No.3A(13.5)	SUS304	0.014	
48	142-165-10	Spring Washer	1	M12	SUS304	0.001	
49	141-032-14	Hex.Cap Nut	1	M12	SUS304	0.02	
50	120-110-12	Packing (S.Cover)		d150xd186x0.3t	PE	0.004	
51	022-000-53	Suction Cover	1	KTZ31.5/32.2	FCD	1,20	
51	022-749-19	Suction Cover (old version)	1	KTZ31.5/32.2	FCD	1,20	old version
52	142-127-23	Plain Washer	3	M8	SPC	0.001	
53	144-492-15	Stud Bolt	3	M8x85(12/30)	SUS410	0.039	
54	023-472-11	Strainer Stand	1	KTZ21.5/32.2	SPCC	0.88	
55	142-127-23	Plain Washer	3	M8	SPC	0.001	
56	141-005-89	Hex Nut	3	M8	SWRM	0.001	
		<Packing O-Ring Set>					
	173-513-13	Packing O-Ring Set	1Set	(*)			