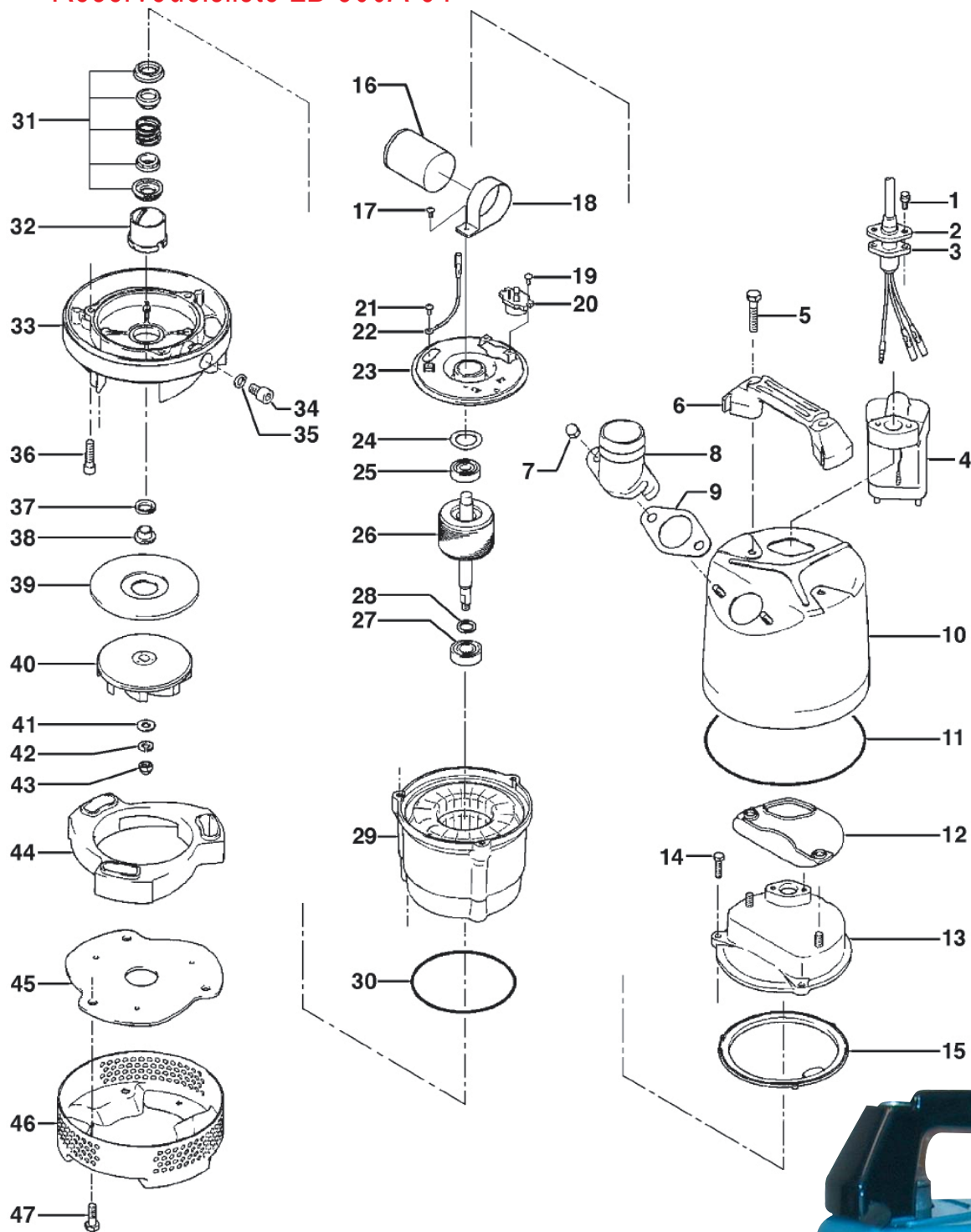


>> Reservedelsliste LB 800A-51



>> Se listen på bagsiden!

STARING

Staring Maskinfabrik A/S
Starengvej 9-11
DK-9700 Brønderslev

Tlf.: +45 9882 1622
Fax: +45 9882 5591
www.staring.dk
staring@staring.dk

CVR.nr. DK 2767 2701



>> Reservedelsliste LB 800A-51

ITEM	CODE No.	DESCRIPTION	Q'TY	SIZE	MATERIAL	WEIGHT kg	REMARKS
1	140-446-12	Hex.Bolt (w/plain washer)	2	M5x38	SUS304	0.001	
2	003-100-13	Gland	1		SUS316	0.01	
3	001-000-78	Cabtyre Cable Set (10m) 220/230/240V	1	H07R-F3Cx1mm2	LBD(HAR)		
3	001-000-79	Cabtyre Cable Set (10m)110V-50Hz (EN	1	H07RN3Cx1 5mm ² (w/o plu	HAR		
4	114-000-15	Relay Unit	1Set	EL-2 Type(200V)			
5	140-000-13	Hex.Bolt (w/plain washer)	2	M8x65	SUS304	0.025	
6	068-000-06	Handle	1	LB-250/480-52/62	Resin		
7	141-144-10	Flanged Hex. Nut	2	M8	SUS304		
8	032-000-23	Threaded flange (BS)	1	BSPT-2 LB-480	ADC		
8	032-000-12	Hose coupling	1				
9	121-587-17	Packing	1	LB-250/480-51/61	NBR	0.001	*
10	065-000-22	Outer Cover	1		SPC		
11	122-453-16	O-Ring	1	172xd2.7	NBR	0.001	*
12	121-434-18	Packing	1	LB3-250/480	Synthetic Rubt	0.013	*
13	051-000-22	Motor Head Cover	1		ADC		
14	140-396-16	Hex.Bolt (w/Spring Washer/Plain Washe	3	M6x20	SUS304	0.001	
15	121-000-72	Packing	1	d121xd140x2.8t	NBR		*
16	076-000-31	Capacitor	1	80MF-250VAC(d50x85L)			
17	143-086-22	Pan Screw (w/Spring Washer)	1	M4x8	SWRM	0.001	
18	127-000-34	Capacitor Fixing Plate	1	d50	SPC		
19	143-127-13	Pan Screw (w/Spring Washer/Plain Was	2	M4x8	SWRM		
20	053-000-63	Motor Protector 110V-50Hz (ENG)	1	KA142-BBTL25F	(T.C)		
20	053-000-28	Motor Protector 220/230/240V-50Hz (EU	1	KA142-LPTL25F	(T.C)		
21	140-000-44	Hex.Bolt (w/Spring Washer/Plain Washe	1	M4x8	SWRM		
22	009-000-12	Earth Terminal	1Set	1.25mm2x85L			
23	050-000-48	Motor Bracket	1		SECD		
24	142-000-41	Wave Washer	1	#6201(T=0.4)	S65CM		
25	052-100-15	Bearing	1	6201ZZC3		0.04	
26	055-001-26	Rotor	1Set	w/Bearing			
27	052-152-12	Bearing	1	6302ZZC3		0.09	
28	061-175-19	Bearing Collar	1	d15xd23x1.6t	SPC		
29	056-004-16	Stator	1Set	w/Frame			
30	122-133-17	O-Ring	1	G-110	NBR	0.001	*
31	025-291-10	Mechanical Seal (for EUR/ENG)	1	W-14VL	SIC+CCBN	0.05	Oil ISO VG32 (155ml)
32	030-000-09	Oil Lifter	1	W-14VL	Resin	0.009	
33	029-000-72	Oil Casing	1	LB-750-51/61	ADC		
34	035-124-12	Oil Plug	1	M10x15	SUS304		
35	121-246-11	Packing	1	d10.3xd16x2t	PE	0.001	*
36	140-252-19	Hex. Socket Cap Bolt	3	M6x20	SUS304	0.001	
37	122-441-11	V-Ring	1	VR-14	NBR	0.001	
38	071-292-14	Shaft Sleeve	1	LB3-250/480	SUS304	0.001	
39	031-000-12	Wear Ring	1	LSC1.4S-51/61	SPC+Urethane Rubber		
40	021-000-52	Impeller (50Hz)	1	LB-800A-51	Urethane Rubt	0.19	
40	021-002-59	Impeller (60Hz)	1	LB-800A-61	Urethane Rubber		
41	142-127-10	Plain Washer	1	M8	SUS304	0.001	
42	142-163-18	Spring Washer	1	M8	SUS304	0.001	
43	141-030-12	Hex.Nut	1	M8	SUS304	0.001	
44	020-000-43	Pump Casing	1	LB-750	BR+NR		
45	022-001-27	Suction Cover	1	LB-750	SPC		
46	023-547-18	Strainer Stand	1	LB-250/480-51/61	SPC	0.57	
47	140-000-14	Hex.Bolt (w/plain washer)	3	M8x20	SUS304		
		<Packing O-Ring Set>					
	173-001-20	Packing O-Ring Set	1Set	(*)			