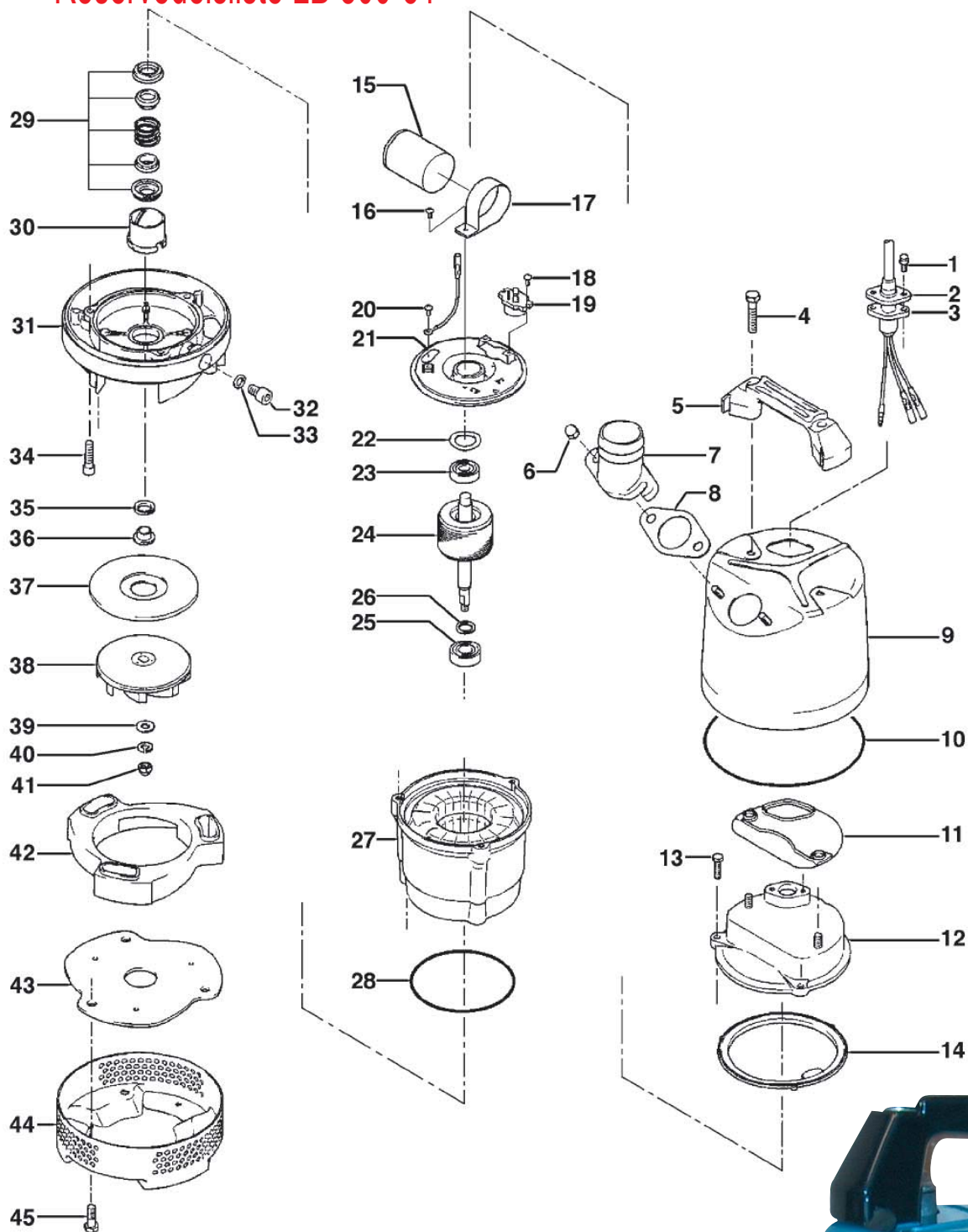


## >> Reservedelsliste LB 800-51



>> Se listen på bagsiden!

**STARING**

Staring Maskinfabrik A/S  
Starengvej 9-11  
DK-9700 Brønderslev

Tlf.: +45 9882 1622  
Fax: +45 9882 5591  
www.staring.dk  
staring@staring.dk

CVR.nr. DK 2767 2701



## >> Reservedelsliste LB 800-51

ITEM	CODE No.	DESCRIPTION	QTY	SIZE	MATERIAL	WEIGHT kg	REMARKS
1	140-427-17	Hex.Bolt (w/plain washer)	2	M5x15	SUS304	0,001	
2	003-100-13	Gland	1		SUS316	0,010	
3	001-873-18	Cabtyre Cable Set (10m) 110V-50Hz (EN)	1	H07RN3Cx1.5mm2(PCE)	LB(HAR)		
3	001-453-18	Cabtyre Cable Set (10m) 220/230/240V	1	H07RN3Cx1mm2(CEE-W/P)	LB(HAR)		
4	140-000-13	Hex.Bolt (w/plain washer)	2	M8x65	SUS304	0,025	
5	068-000-06	Handle	1	LB-250/480-52/62	Resin		
6	141-144-10	Flanged Hex. Nut	2	M8	SUS304		
7	032-000-12	Hose Coupling 110V-50Hz (ENG)	1	50mm(LB-480-52/62)	ADC		
7	032-000-23	Hose Coupling 220/230/240V-50Hz (EU)	1	BSPT-2, LB-480	ADC		
8	121-587-17	Packing	1	LB-250/480-51/61	NBR	0,001	*
9	065-000-22	Outer Cover	1		SPC		
10	122-453-16	O-Ring	1	172xd2.7	NBR	0,001	*
11	121-434-18	Packing	1	LB3-250/480	Synthetic Rubt	0,013	*
12	051-000-22	Motor Head Cover	1		ADC		
13	140-396-16	Hex.Bolt (w/Spring Washer/Plain Washer)	3	M6x20	SUS304	0,001	
14	121-000-72	Packing	1	d121xd140x2.8t	NBR		*
15	076-000-31	Capacitor	1	80MF-250VAC(d50x85L)			
16	143-086-22	Pan Screw (w/Spring Washer)	1	M4x8	SWRM	0,001	
17	127-000-34	Capacitor Fixing Plate	1	d50	SPC		
18	143-127-13	Pan Screw (w/Spring Washer/Plain Washer)	2	M4x8	SWRM		
19	053-000-63	Motor Protector 110V-50Hz (ENG)	1	KA142-BBTL25F	(T.C)		
19	053-000-28	Motor Protector 220/230/240V-50Hz (EU)	1	KA142-LPTL25F	(T.C)		
20	140-000-44	Hex.Bolt (w/Spring Washer/Plain Washer)	1	M4x8	SWRM		
21	050-000-48	Motor Bracket	1		SECD		
22	142-000-41	Wave Washer	1	#6201(T=0.4)	S65CM		
23	052-100-15	Bearing	1	6201ZZC3		0,040	
24	055-001-26	Rotor	1Set	w/Bearing			
25	052-152-12	Bearing	1	6302ZZC3		0,090	
26	061-175-19	Bearing Collar	1	d15xd23x1.6t	SPC		
27	056-004-14	Stator 110V-50Hz (ENG)	1Set	w/Frame			
27	056-004-16	Stator 220/230/240V-50Hz (EUR)	1Set	w/Frame			
28	122-133-17	O-Ring	1	G-110	NBR	0,001	*
29	025-291-10	Mechanical Seal (for EUR/ENG)	1	W-14VL	SiC+CCBN	0,050	Oil ISO VG 32 (155ml)
30	030-000-09	Oil Lifter	1	W-14VL	Resin	0,009	
31	029-000-72	Oil Casing	1	LB-750-51/61	ADC		
32	035-124-12	Oil Plug	1	M10x15	SUS304		
33	121-246-11	Packing	1	d10.3xd16x2t	PE	0,001	*
34	140-252-19	Hex. Socket Cap Bolt	3	M6x20	SUS304	0,001	
35	122-441-11	V-Ring	1	VR-14	NBR	0,001	
36	071-292-14	Shaft Sleeve	1	LB3-250/480	SUS304	0,001	
37	031-000-12	Wear Ring	1	LSC1.4S-51/61	SPC+Urethane Rubber		
38	021-000-52	Impeller (50Hz)	1	LB-800-51	Urethane Rubt	0,190	
39	142-127-10	Plain Washer	1	M8	SUS304	0,001	
40	142-163-18	Spring Washer	1	M8	SUS304	0,001	
41	141-030-12	Hex.Nut	1	M8	SUS304	0,001	
42	020-000-43	Pump Casing	1	LB-750	BR+NR		
43	022-001-27	Suction Cover	1	LB-750	SPC		
44	023-547-18	Strainer Stand	1	LB-250/480-51/61	SPC	0,570	
45	140-000-14	Hex.Bolt (w/plain washer)	3	M8x20	SUS304		
		<Packing O-Ring Set>					
	173-001-20	Packing O-Ring Set	1Set	(*)			