



- Lift height : 15,80 m
- Capacity : 3700 Kg
- Maximum forward reach : 12,33 m
 - Torque convertor
- HYDRAULIC STABILISERS
and FRAME LEVELLING

MT 1637 SL TURBO



MT 1637 SL TURBO



Lift capacity 3700 Kg
 at 500 mm from forks heels.
Tipping load
 at maximum reach : 937 Kg
 Tear out force with toothed digging bucket
 to ISO 8313-1986 with tilting ram 7000 Kg



Lift height : 15.80 m
Times : unladen / loaded (in s)
 Lifting 12/12.5
 Lowering 8.5/8
 Extension 1st and 2nd booms 22.2/22.2
 Extension 3rd boom (with stabilisers) 10.8/10.8
 Retraction 1st and 2nd booms 18.3/17.8
 Retraction 3rd boom (with stabilisers) 10.4/9.2
Time unladen (in s)
 Crowd 5.3
 Dump 8.4



Tyres
 DUNLOP 440/80-24 T37 158B



Forks (mm)
 Length 1200
 Width x thickness 125 X 50
 Maximum distance between forks 1040
 Carriage rotation 124°



Multidisc brakes - hydraulically assisted on both axes



PERKINS Engine
 Type 1004.4 Turbo
 Capacity 4 cyl. - 3990 cm³
 Power (DIN 6270 B) 104 HP/76.5 Kw
 Maximum torque 349 Nm at 1800 tr/mn
 Direct Injection
 Water Cooling



Transmission Torque convertor
 Electro-hydraulic reversing shift
 4 speeds forward and reverse
 Maximum travel speed 25 Km/h



Hydraulics
 Lifting/tilting pump
 gear type: 270 bar/196 l/mn
 Flow divider with loadsensing device driving and braking

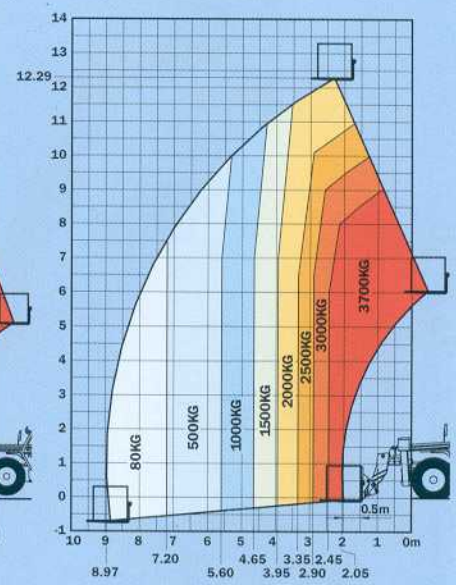
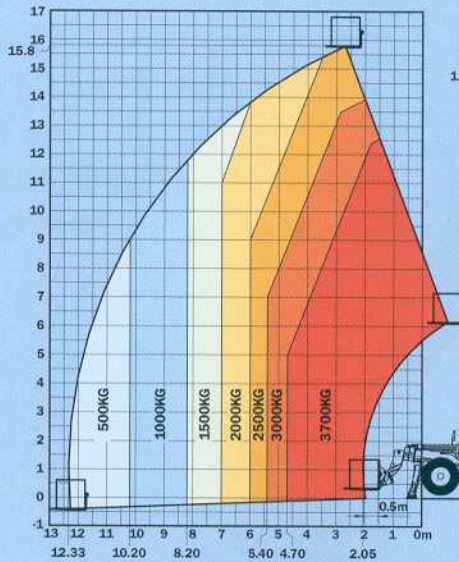


Capacities
 Cooling system 17 l.
 Engine oil 11.5 l.
 Hydraulic oil 175 l.
 Transmission oil 16 l.
 Fuel tank 135 l.



Weight unladen (with forks) 11450 Kg
Overall width 2.44 m
Overall height 2.58 m
Turning radius (outside wheels) 4.00 m
Overall length 5.95 m
Ground clearance 0.49 m
Drawbar pull 9200 Kg

Reach at maximum height : 2.70 m

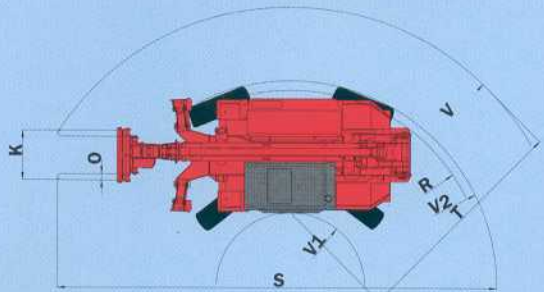
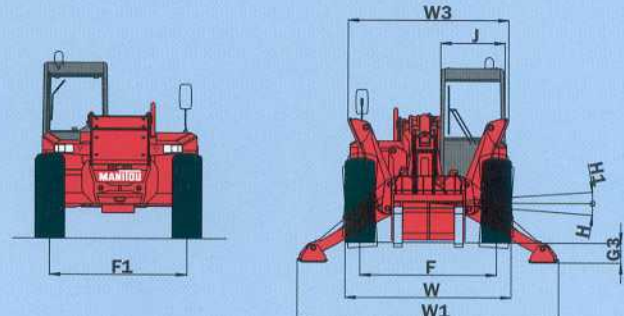
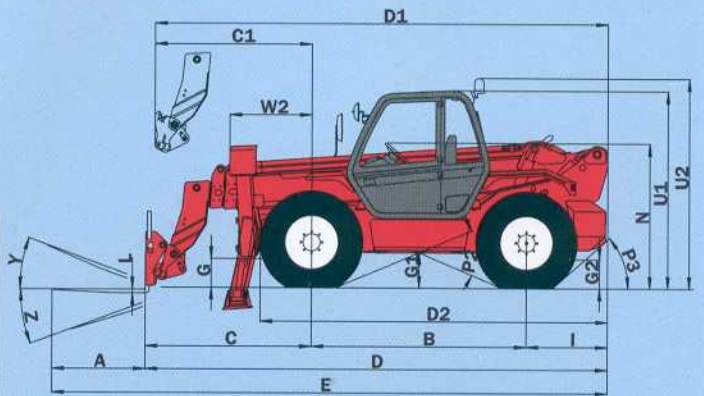


Capacity with stabilisers

Capacity without stabilisers

Under pr EN 1459 annexe B

A	1200
B	2770
C	2135
C1	2010
D	5955
D1	5830
D2	4480
E	7155
F	1990
F1	1990
G	500
G1	495
G2	500
G3	290
H	4° or 7%
H1	4° or 7%
I	1050
J	950
K	1040
L	50
N	1880
O	125
P2	45.5°
P3	50°
R	3660
S	8720
T	4665
U1	2580
U2	2740
V	5600
V1	1320
V2	4000
W	2440
W1	3820
W2	1050
W3	2350
Y	12°
Z	112°



This publication in no way constitutes an offer and the company reserves the right to alter specification without prior notice. The MANITOU models presented in this brochure can be supplied complete with optional equipment attachments



THE POWER OF IMAGINATION

B.P. 249 - 44158 ANCENIS CEDEX FRANCE
 TEL : 33 2 40 09 10 11
 EXPORT DEPARTMENT FAX : 33 2 40 09 10 97
 SPARE PARTS FAX : 33 2 40 09 10 99
 TELEX : 710 521

IN ACCORDANCE WITH

 MARKING

48/03/97 BI 082 prov.