

- Lifting height : 12 m
- Capacity : 3200 kg
- Maximum forward reach : 8,32 m
 - Torque convertor
- HYDRAULIC STABILIZERS



MT1232S

IN ACCORDANCE WITH
CE
MARKING





MT 1232 S

Lifting capacity 3200 kg
 at 500 mm from forks heels.
 Tipping load
 at maximum reach :1383 kg
 Tear out force with toothed digging bucket
 to ISO 8313-1986 with tilting ram.....7000 kg



Lifting height :12 m
Times : unladen / loaded (in s)
 Lifting12/12,5
 Lowering8,5/8
 Simultaneous extension 1st and 2nd booms ..15,4/15,4
 Simultaneous retraction 1st and 2nd booms ..12,7/12,2
 Time unladen (in s)
 Crowd4,75
 Dump4,2



Tyres
 GOOD YEAR 15,5/80 - 24 12 PR SGI



Forks (mm)
 Length1200
 Width x thickness125 X 45
 Maximum distance between forks.....1030
 Carriage rotation124°



Multidisc brakes - hydraulically assisted on both axles



PERKINS Engine

Type1004.4/1004.4 Turbo
 Capacity4 cylindres - 3990 cm³
 Power (DIN 6270 B) Atmo :79 cv/58 kw
 Turbo :104 cv/76,5 kw
 Maximum torque Atmo :289 Nm à 1425 tr/mn
 Turbo :349 Nm à 1800 tr/mn
 Direct Injection
 Water Cooling



Transmission.....Torque convertor
 Electro-hydraulic reversing shift
 4 speeds forward and reverse
 Maximum travel speed.....25 km/h



Hydraulics

Lifting/tilting pump
 gear type:260 bars/166 l/mn
 Flour divider with loadsensing device driving and braking



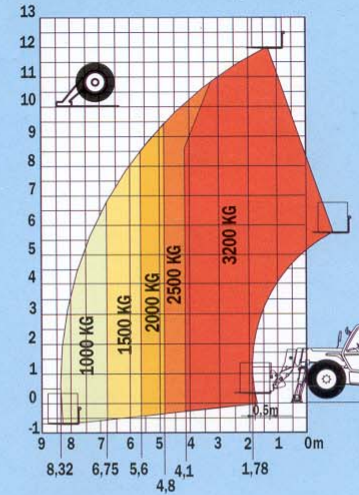
Capacities

Cooling system.....17 l.
 Engine oil Atmo :9,5 l.
 Turbo :10,5 l.
 Hydraulic oil190 l.
 Transmission oil16 l.
 Fuel tank135 l.

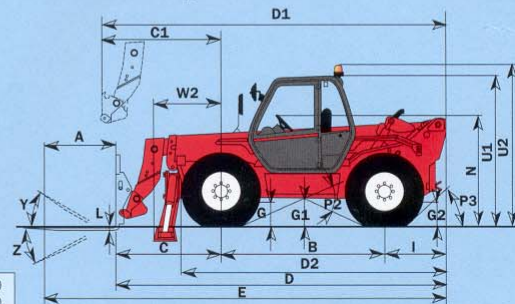


Weight unladen (with forks)9250 kg
Overall width2.39 m
Overall height2.55 m
Turning radius (outside wheels).....4,00 m
Overall length5.60 m
Ground clearance0.45 m
Draw bar pull.....7700 kg

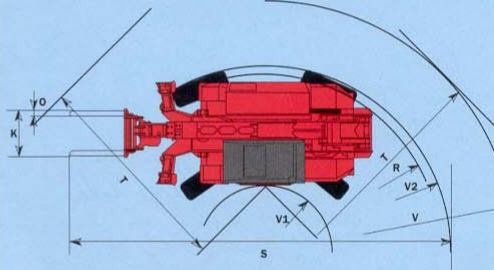
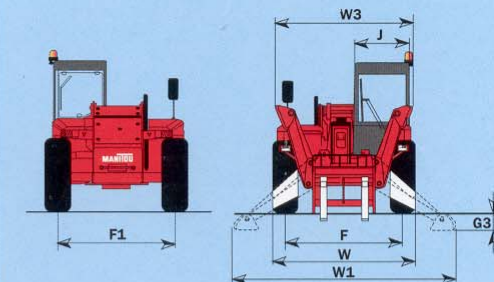
Reach at maximum height : 1,84 m



Under
 pr EN 1459
 annexe B



A	1200
B	2770
C	1780
C1	1670
D	5600
D1	5490
D2	4450
E	6800
F	1970
F1	1970
G	450
G1	445
G2	450
G3	340
I	1050
J	950
K	1030
L	45
O	125
P2	43,5°
P3	40°
R	3640
S	8365
T	4365
U1	2550
U2	2750
U3	2590
V	5300
V1	1320
V2	4000
W	2355
W1	3820
W2	1050
W3	2350
Y	12°
Z	112°



This publication in no way constitutes an offer, and the company reserves the right to alter specification without prior notice.
 The MANITOU models presented in this brochure can be supplied complete with optional equipment attachments



THE POWER OF IMAGINATION

B.P. 249 - 44158 ANCENIS CEDEX FRANCE
 TEL : (33) 40 09 10 11
 EXPORT DEPARTMENT FAX : (33) 40 09 10 97
 SPARE PARTS FAX : (33) 40 09 10 99
 TELEX : 710 521