

200 WT/WTJ

- Working height : 20.20 m
- Load capacity : 227 kg
- Max. offset :
(200 WT) 17.20 m
(200 WTJ) 16.30 m
- Diesel engine ISUZU
- ROUGH TERRAIN
- Gradeability : 45%
- 4 wheel drive
- Oscillating axle



MANIACCESS

CE



200 WT/WTJ



Load capacity227 kg



Working height20.20 m

Platform floor height18.20 m

Maximum offset(200 WT) 17.20 m
(200 WTJ) 16.30 m



Max.travel speed5.5 km/h



Gradeability45%

Admissible slope5° or 9%



Diesel engineIsuzu A 4JB1

Power at 2400 rpm44 kw



TransmissionHydrostatic



Capacities

Hydraulic oil150 l

Fuel tank150 l



Wheels

4 wheel drive and 2 wheel steer



Length (200 WT/WTJ)9.17/10.04 m

Width2.43 m

Height2.64 m

Platform size1.80 x 0.75 m

Turret rotationcontinuous

Basket rotation180°

Jib movement (WTJ)140°

Ground clearance (under chassis)42 cm



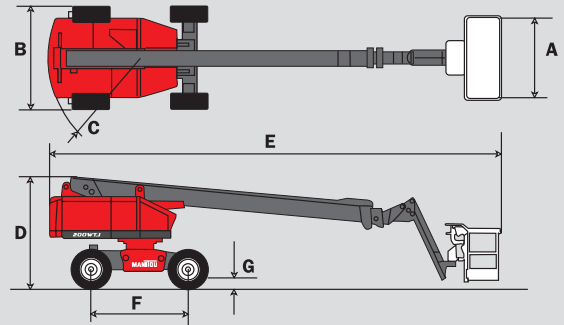
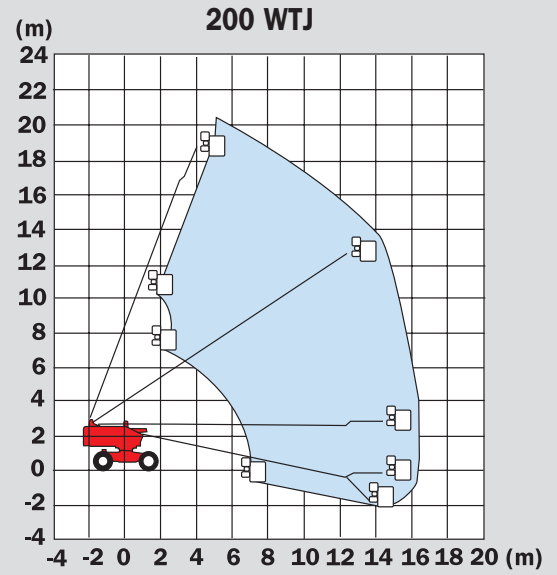
Weight12100 kg

Standard equipments :

- H/V control (for horizontal and vertical movement)
- Sandblast protection
- Travel speed control
- Rotation speed control
- Lifting speed control
- All motion alarm
- Lever protection
- Oscillating axle
- Foam filled tyres
- 220 V predisposal in the basket

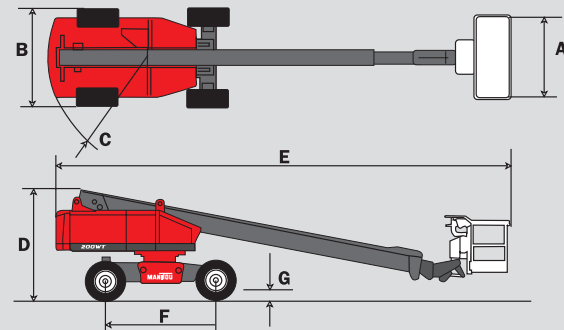
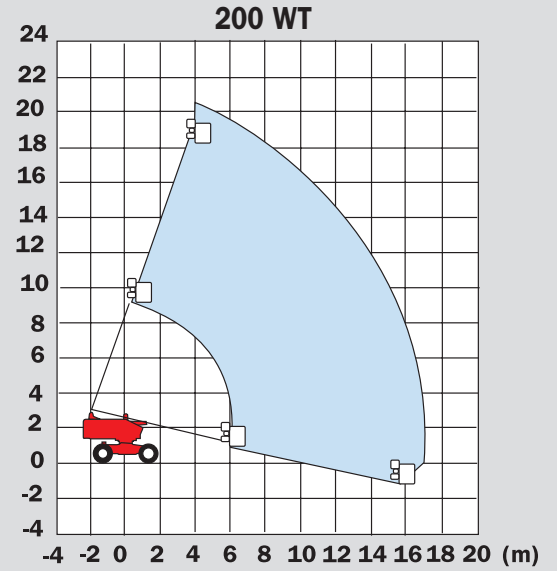
200 WTJ	
A	1800
B	2430
C	2360
D	2640
E	10040
F	2500
G	255

mm



200 WT	
A	1800
B	2430
C	2360
D	2640
E	9170
F	2500
G	255

mm



MANITOU B.F. S.A.

B.P 249 - 44158 ANCENIS CEDEX - FRANCE
 TEL : 33 2 40 09 10 11
 EXPORT DEPARTMENT FAX : 33 2 40 09 10 97
 www.manitou.com