

165 ATJ

- Working height : 16.50 m
- Max. outreach : 10.40 m
- 250 kg including 2 people
- Diesel engine 47 HP
- Continuous turret rotation
- 4 simultaneous movements



44
seconds

MANIACCESS



165 ATJ



Load capacity : ..250 kg including 2 people



Working height16.50 m
Platform floor height.....14.50 m



Overall length7.31 m
Length (transport position)5.45 m
Overall width2.36 m
Overall height2.34 m
Basket size1.8 x 0.8 x 1.10 m
Max. offset/
up and over clearance10.40 m/6.78 m
Ground clearance44.7 cm
Turning radius ins/outside2.25/5.13 m



Turret rotation.....continuous
Basket rotation.....180°
Jib movement.....140°



Engine (Low emission)
PERKINS 903.2747 HP



Maxi. travel speed6 km/h
Inside/outside use :wind 45 km/h
Lifting time44 s



Gradeability on rough terrain37 %
Max. slope accepted5° or 9%



Hydraulic tank.....75 l.
Diesell tank90 l.



Tyres400/70-20
Steering2/4/crab



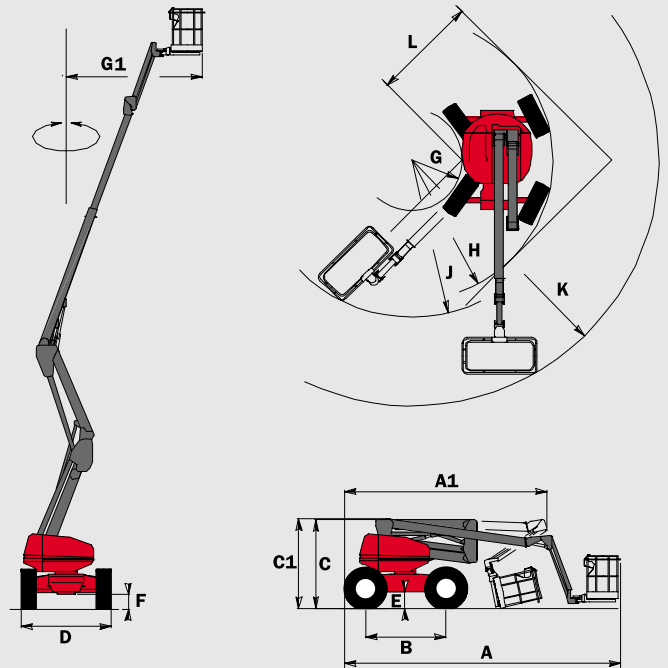
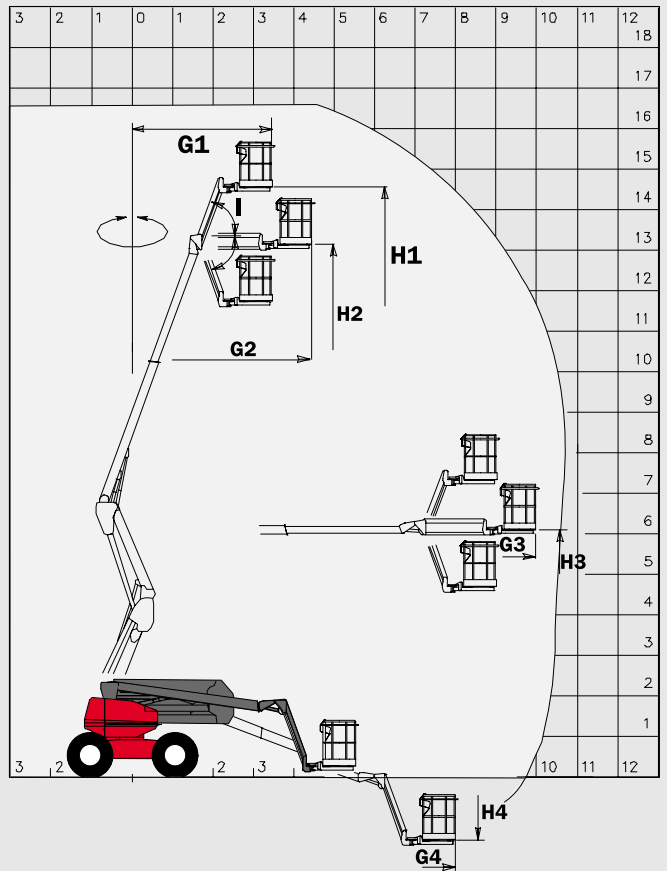
Weight8450 kg

Standard equipment

Oscilating axle
Foam filled tyres
Proportional controls
Differential lock
Front axle with limited slip
Hour meter
Tank level indicator
Warning buzzer in the basket
Rotating beacon
Lifting brackets
Safety electric pump
220 v predisposal

Options

All motion alarm
Working lights
Digital code
220 v electric plug in platform
50% gradeability kit



A	7310
A1	5450
B	2100
C	2342
C1	2380
D	2360
E	447
F	375
G	1321
G1	4144
G2	4986
G3	9943
G4	8200
H	3667
H1	14600
H2	13253
H3	6785
H4	-1490
I	70°
J	3841
K	6476
L	2733



This publication in no way constitutes an offer and the company reserves the right to alter specification without prior notice.
The MANITOU models presented in this brochure can be supplied complete with optional equipment attachments



MANITOU B.F. S.A.
B.P. 249 - 44158 ANCENIS CEDEX - FRANCE
TEL : 33 2 40 09 10 11
EXPORT DEPARTMENT FAX : 33 2 40 09 10 97
www.manitou.fr