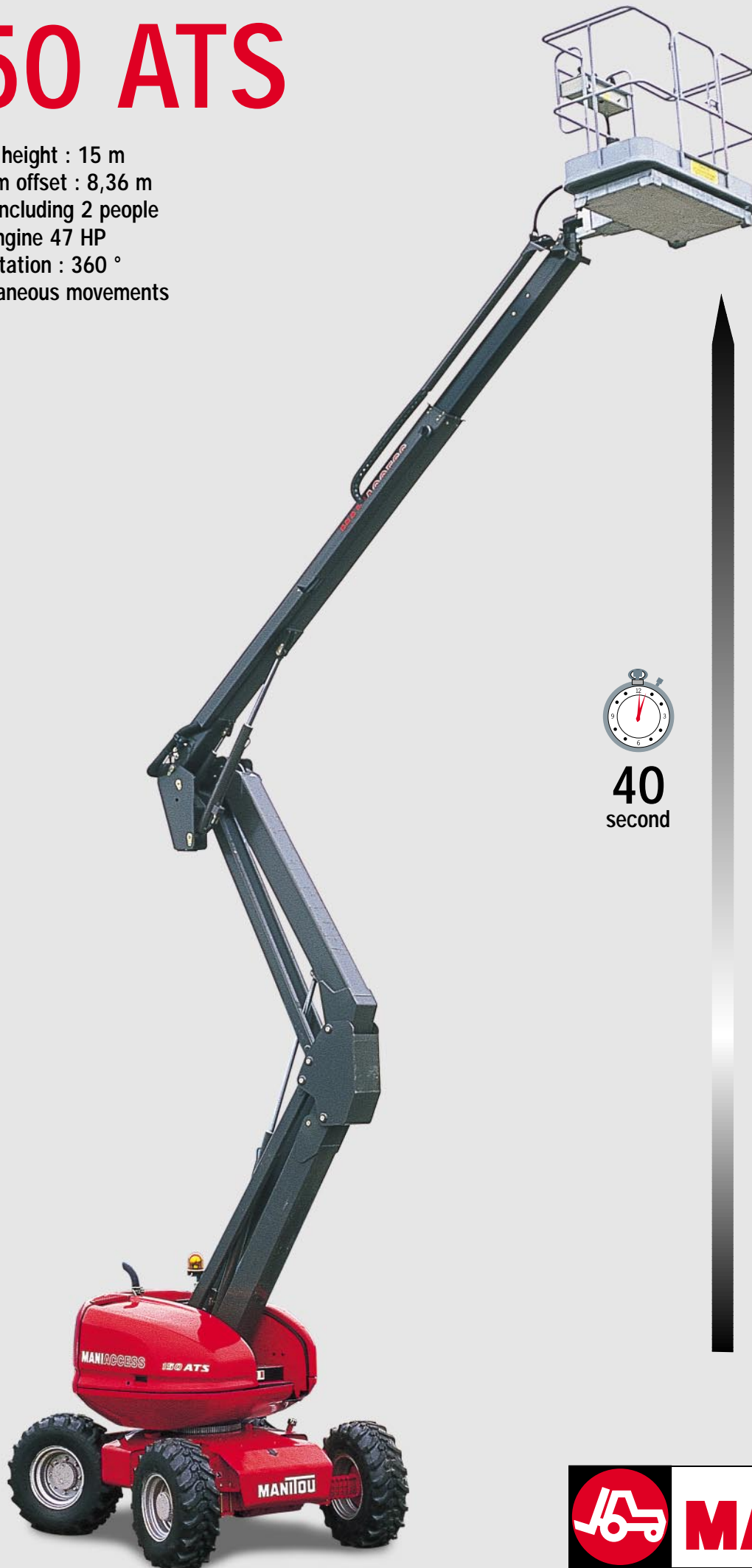


150 ATS

- Working height : 15 m
- Maximum offset : 8,36 m
- 250 kg including 2 people
- Diesel engine 47 HP
- Turret rotation : 360 °
- 4 simultaneous movements



40
second

MANIACCESS



150 ATS



Load capacity250 kg including 2 people



Working height15 m
Platform height13 m



Basket rotation180°
Turret rotation360°



Overall length6.16 m
Overall width2.00 m
Overall height2.28 m
Basket size1.80 x 1.10 m
Max. offset/up and over clearance8.36 m/ 6.83 m
Ground clearance37.7 cm
Turning radius ins/outside1,76/4,38 m



Engine PERKINS 903-27 47 HP



Maxi. Travel speed 5,45 km/h
Travel speed in high position0.8 km/h
Lifting time40 s
Inside/outside usewind 45 km/h



Gradeability :
on hard surface35%
on rough terrain35%
Max. slope accepted : 5° or 9%



Hydraulic tank75 l.
Dieseltank90 l.



Tyres340/80 RT 18
Steering2 wheel steer



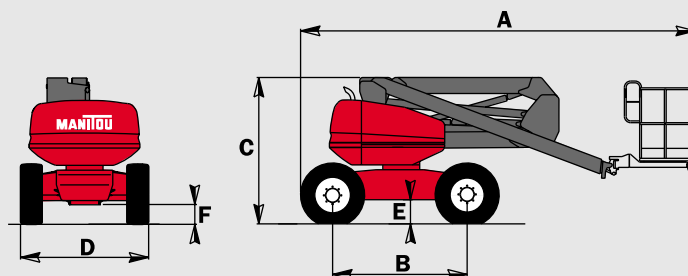
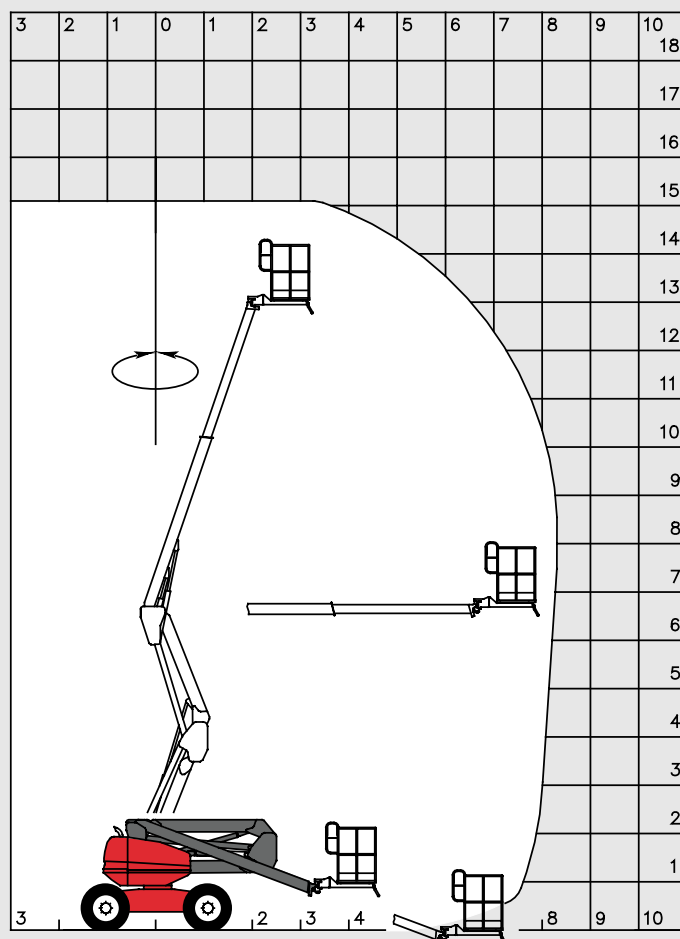
Weight7800 kg

Standard equipment

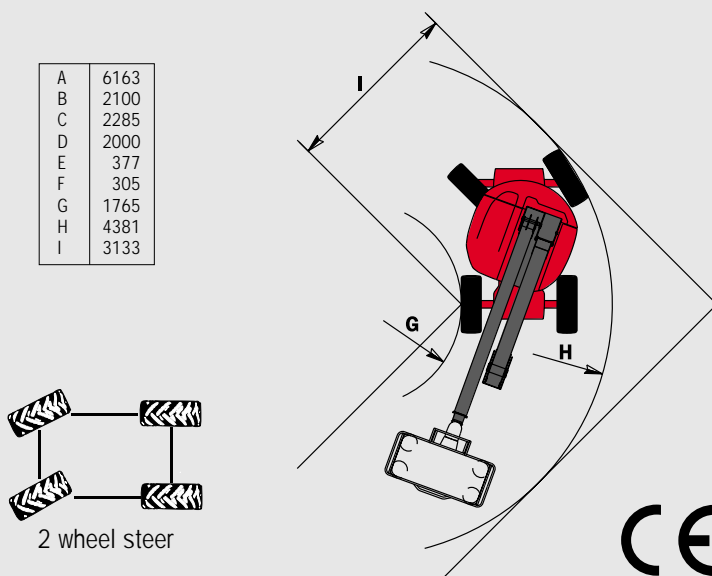
- Hour meter
- Tank level indicator
- Proportional controls
- Warning buzzer in the basket
- Rotating beacon
- Lifting brackets
- Differential lock
- Safety electric pump
- 220 V predisposal
- Front axle with limited slip

Options

- All motion alarm
- Working lights
- Digital code
- 220 V electric plug in platform
- Generating set 3,2 kw



A	6163
B	2100
C	2285
D	2000
E	377
F	305
G	1765
H	4381
I	3133



This publication in no way constitutes an offer and the company reserves the right to alter specification without prior notice.



MANITOU B. F. S.A.
B.P. 249 - 44158 ANCENIS CEDEX - FRANCE
TEL : 33 2 40 09 10 11
EXPORT DEPARTMENT FAX : 33 2 40 09 10 97
www.manitou.fr