

# D 80 ER

- Working height : 8 m
- Max. offset : 2 m to 2.69 m
- Load capacity : 350 kg - 2 people
- Basket rotation : 180°



**MANI** ACCESSES



# Master



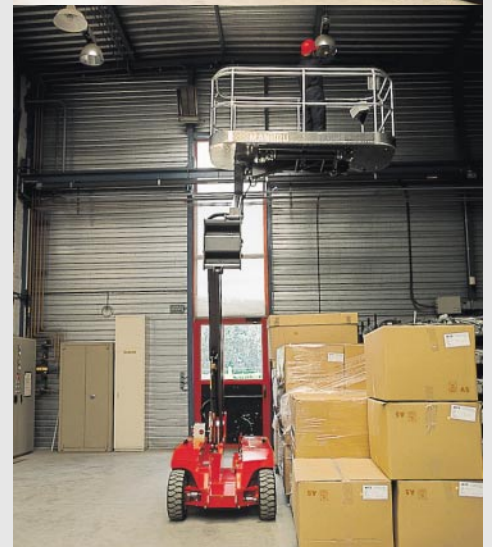
## STANDARD EQUIPMENT

- Aluminium basket with ergonomically designed shape. The large work surface accepts a weight of 350 kg including 2 people (160 kg including 1 person in lateral rotation).
- Polyurethane filled tyres ensure added and more stability for the platform.
- Two guard rails.
- Electric power :  
Taction battery 320 Ah/24 v  
40 A charger

## SAFETY

- Security valves on lift cylinders.
- Travel, lift and rotation movements necessitate the use of the "dead mans" pedal.
- Slope detector cuts hydraulic funtions (except descent) if the gradient is greater than 5% or 3°.
- Automatic speed reduction facility after elevation of the platform.
- The "negative" braking system can only be unlocked by a drive command.

# your working space



## COMPACT

Small dimensions enable good accessibility. Overall height 1,99 m, overall width 0,99 m.

## ACCESSIBILITY

Easy access to drive train (engine, hydraulic and electric components) and battery charger by a single bonnet.

## TOTAL CONTROL FROM BASKET

Electro-proportional control lever for lifting, 180° basket rotation (basket alignment indicator), travelling and steering. Movements are smooth and precise.

# D 80 ER



Load capacity .....350 kg including 2 people  
 Load capacity rotation : .....160 kg including 1 person



Working height .....8 m  
 Platform floor height .....6 m



Length .....2,50 m  
 Width.....0,99 m  
 Height.....1,99 m  
 Platform size .....2,50 x 0,99 m  
 Forward and rear offset.....2,00 m  
 Lateral offset.....2,5 m/ 2,69 m  
 Ground clearance.....10 cm



Travel speed ..... 0 to 3 km/h  
 Number of speeds.....2



Basket rotation .....180°  
 Turning radius ins/oustside.. 0,8/2,67 m  
 2 wheel steer



Battery .....24 V - 320 Ah  
 Integrated charger .....24 V - 40 A



Gradeability .....20%  
 Max. slope accepted..... 5% or 3°



Hydraulic tank .....14 l.



Tyres front..... 18 -7-8/14  
 Rear.....6-50/10  
 Inside/outside use .....wind 45 km/h



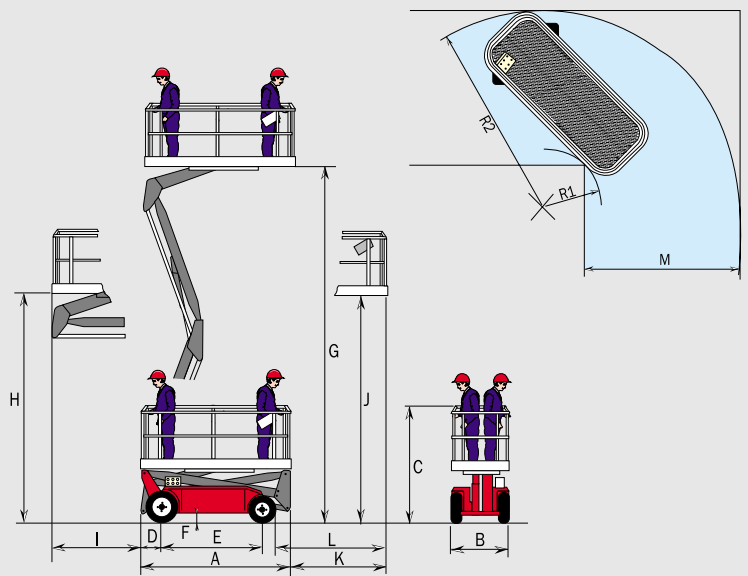
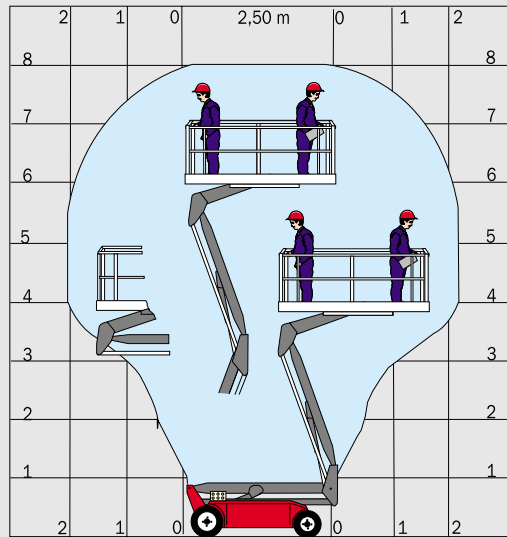
Weight.....2320 kg

## Standard equipment

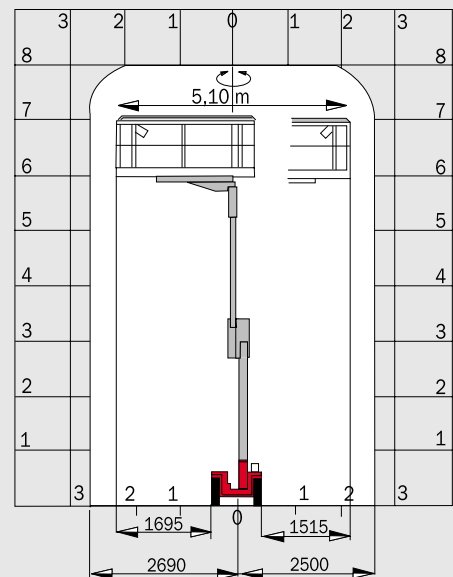
- Safety device (unlocking security valves)
- Negative brake
- Proportional controls
- Differential lock
- Lifting brackets
- Flashing beacon
- Hour meter
- Warning buzzer in the basket
- 220 V predisposal
- Low voltage indicator

## Options

- All motion alarm
- Non marking tyres



	mm
A	2500
B	990
C	1990
D	350
E	1700
F	100
G	6000
H	3805
I	1533
J	3825
K	1526
L	1751
R1	800
R2	2675
M	2110



This publication in no way constitutes an offer and the company reserves the right to alter specification without prior notice. The MANITOU models presented in this brochure can be supplied complete with optional equipment attachments



MANITOU B.F. S.A.  
 B.P. 249 - 44158 ANCENIS CEDEX - FRANCE  
 TEL : 33 2 40 09 10 11  
 EXPORT DEPARTMENT FAX : 33 2 40 09 10 97  
 www.manitou.com