



Manually Operated Load Lifter

LOAD LIFTER™

The hand truck
that lifts up to
200 pounds (91 kg)
to 5 feet, 7 inches
(1.7 m).

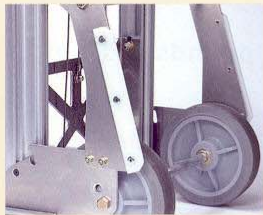


Genie Industries

LOAD LIFTER™

Standard Features

- **One person** can safely and easily lift and move heavy loads.
- **200 lb (91 kg)** load capacity.
- Lifts material up to **5 ft 7 in (1.7 m)**.
- Designed and constructed of durable yet **lightweight aluminum**.
- Quiet high-speed **reversible winch** quickly lifts heavy loads.
- High strength **aircraft quality cable** prevents corrosion and fraying.
- Cushioned **neoprene hand grip** for easy handling.
- Corrosion resistant - **won't rust**.
- Beveled **aluminum platform** for easy loading and unloading.
- Accessories are **easy to install**.
- Portable - **folds for compact storage** and easy transport (pictured at right).
- Performa 8 in (20 cm) **non-marking rear wheels** are standard (pictured below).
- All models include **stair glides for easy handling on stairs** (pictured below).



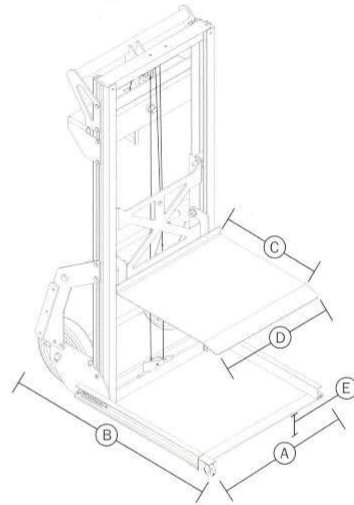
Options and Accessories



- **Pneumatic 8 in (20 cm) rear wheels** for rough terrain.
- Field-installable **foot brake** (not pictured)



- **2 in (5 cm) non-marking front swivel casters** for easy maneuvering with heavy loads.



Specifications

	US	Metric
Height-platform max	5 ft 7 in	1.7 m
Lift capacity	200 lb	91 kg
Height-stowed	45 in	1.14 m
Length-stowed	15 in	38 cm
(A) Width	20½ in	52 cm
(B) Length-operating	28¾ in	73 cm
Average cranks	3 cranks/ft	3 cranks/30 cm

Load Platform Dimensions

(C) Length	14 in	36 cm
(D) Width	16¾ in	43 cm
(E) Minimum Load Height	2 in	5 cm
Machine Weight	45 lb	20 kg

Use the Load Lifter™ to pick up and move:

- Freight parcels
- Computer and electronic equipment
- Fax machines and office equipment
- Small appliances
- Paper and printed material
- In-process manufactured parts
- Also use it as a work table and for common material handling tasks

Distributed By:

Genie Industries

GENIE UNITED STATES
 18340 NE 76th Street
 P.O. Box 97030
 Redmond, Washington 98073-9730
 Telephone (425) 881-1800
 Toll Free in USA/Canada 800-536-1800
 Fax (425) 883-3475
<http://www.genielift.com>

GENIE UNITED KINGDOM
 Brunel Drive, Newark
 Nottinghamshire NG24 2EG
 England
 Telephone (44) 01636-614700
 Fax (44) 01636-611090
<http://www.genielift.com>

For further information please contact your local distributor or the Genie sales office listed. Continuous improvement of our products is a Genie policy. Product specifications are subject to change without notice or obligation. The photographs in this brochure are for illustrative purposes only. Refer to the appropriate Genie Load Lifter Operator's Manual for instructions on the proper use of equipment. Failure to follow the appropriate Operator's Manual when using a Genie Load Lifter, or to otherwise act irresponsibly, may result in serious injury or death. Copyright © 1996 by Genie Industries. Printed in the USA on recyclable paper. "Genie" is a Registered Trademark of Genie Industries in the USA and many other countries. "Load Lifter" is a Trademark of Genie Industries. LL 30K 0400C, Part No. 65008