



Self-Propelled Telescopic Booms

S-80/S-85

- The ultimate in reach, performance and range.



Genie Industries

Get the greatest reach and versatility with our

Genie's stick boom family includes faster lift speed, a more powerful engine, a stiffer mast and updated styling. Choose the Genie S-80 Boom, with 26.4 m (86 ft) of working height, or the S-85, with an additional 1.52 m (5 ft) articulating jib boom. Customise your boom with many option packages.



Terrain Tracking Active Oscillation System

This revolutionary system automatically senses the terrain and adjusts the front axle oscillation based on ground conditions. The system maximises four point contact with the ground for improved traction and an amazingly smooth ride.

Standard Features

Powerful Engines

The enhanced performance engines are stronger and more powerful. In demanding conditions the power is there. With normal duty, longer engine life.

Proportional Controls

Allow smooth operation and easy positioning.

160° Hydraulic Platform Rotator

Gives you precise placement without repositioning the boom.

Easily Accessible Components

The swing-out engine tray, clear access to hydraulic components and easy-to-understand electrical system simplify routine maintenance.

Positive Traction Drive

Full time 4 wheel drive and full time positive traction in both high and low drive speeds.

Drive Enable System

Informs operator when the drive and steer functions will move opposite the controller movements.

Low-Profile Chassis Covers

Provide high visibility for the operator while unit is in stowed position.

Platform Controls

Large, simple-to-use controls for easy operation.

Transportability

The S-80 and S-85 are designed to load and unload easily from transport vehicles.

Drive and Extend Axles

Extendable axles operate from the platform. Setup is one step. Simply activate extend function while driving the machine and the axles automatically extend, lock in place and enable platform elevation.

Fast and Efficient Lift Speed

The capability to operate multiple functions simultaneously results in maximum lift speed. The S-80 elevates from the ground to full height in just 80 seconds.

r unique jib option.

Easily customised to meet your needs:

Engine Options

GM 3.0L Gas/LPG 60 kw (80 hp)
Deutz Diesel F4L 913 57 kw (77 hp)
Perkins Diesel 704-30 47 kw (63 hp)

Platform Options

Standard: Steel 1.83 m (6 ft)
Optional: Steel 2.44 m (8 ft)

S-80/S-85



S-85 Out-and-Up Articulating Jib Boom

This special option gives you an additional 1.52 m (5 ft) of horizontal reach for a total of 23.4 m (77 ft). The S-85 jib gives you flexibility too – 135° of working range. You not only access 75° above horizontal, but you can get to 60° below horizontal.

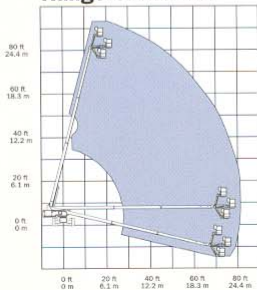
S-80/S-85

Standard Features

- S-80 has 26.4 m (86 ft) working height
- S-85 has 27.9 m (91 ft) working height
- S-80 has 21.9 m (72 ft) horizontal reach
- S-85 has 23.4 m (77 ft) horizontal reach
- Up to 272 kg (600 lb) lift capacity on the S-80
- 227 kg (500 lb) lift capacity on the S-85
- Extendable axles operated from the platform
- Dual extended cylinders
- Dual fuel (Gas/LPG) or diesel engine options
- Fully proportional platform controls with ramp up/down feature
- Hydraulic platform rotation
- 360° continuous turntable rotation
- 12V DC auxiliary power

- Fuel select switch on platform and ground control panels (Gas/LPG models)
- Closed-loop hydrostatic drive
- Positive traction drive
- Drive enable system
- Self-leveling platform
- Rough terrain air tyres
- Locking turntable covers
- Anti-restart engine protection
- Auto engine fault shutdown
- AC wiring to platform
- Hydraulic oil cooler
- Wire braided hose
- Tilt alarm
- Horn
- Hour meter
- Alarm Package

Range of Motion

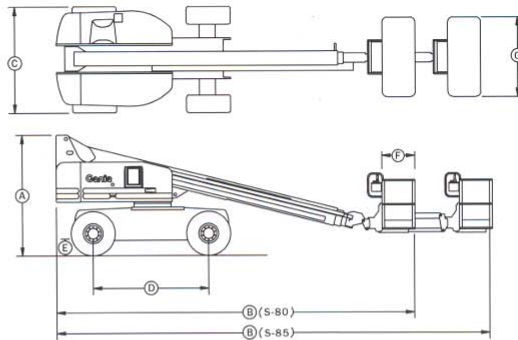


Options and Accessories

- Tool tray
- Fluorescent tube caddy
- Hostile environment package
- 340 kg (750 lb) lift capacity option on the S-80
- Platform swing gate
- Air line to platform
- Platform rail pinch guard
- Platform work lights
- Lockable platform control box cover
- Cold start packages
- 3500 watt AC generator
- 2.44 m (8 ft) steel platform
- LPG tank
- GS/LPS rating for GM engine powered machines
- Rough terrain foam-filled tyres
- Driving lights
- Pipe cradle

Standards Compliance

- EN280



Specifications

Model	S-80		S-85	
	Metric	US	Metric	US
Working height max*	26.4 m	86 ft	27.9 m	91 ft
Platform height max	24.4 m	80 ft	25.9 m	85 ft
(A) Height - stowed	2.8 m	9 ft 2 in	2.8 m	9 ft 2 in
(B) Length - stowed	11.2 m	36 ft 8 in	12.4 m	40 ft 7 in
(C) Width axles retracted	2.43 m	8 ft	2.43 m	8 ft
Width axles extended	3.04 m	10 ft	3.04 m	10 ft
(D) Wheelbase	2.74 m	9 ft	2.74 m	9 ft
(E) Ground clearance	28 cm	11 in	28 cm	11 in
(F) Platform length:	76 cm	6 ft 30 in	76 cm	30 in
	91 cm	8 ft 36 in	91 cm	36 in
(G) Platform width:	1.83 m	6 ft 72 in	1.83 m	72 in
	2.44 m	8 ft 96 in	2.44 m	96 in
Horizontal reach max	21.9 m	72 ft	23.4 m	77 ft
Lift capacity	272 kg	600 lb	227 kg	500 lb
1.83m/6 ft platform				
Lift capacity	227 kg	500 lb	227 kg	500 lb
2.44m/8 ft platform				
Turning radius - outside	7 m	23 ft	7 m	23 ft
Turning radius - inside	3.24 m	10 ft 8 in	3.24 m	10 ft 8 in
Turntable rotation		360j continuous		360j continuous
Turntable tailswing	1.13 m	3 ft 8 in	1.13 m	3 ft 8 in
Power source		GM 3.0L Gas/LPG 80 hp (60 kw) Deutz Diesel F4L 913 77 hp (57 kw) Perkins Diesel 704-30 63 hp (47 kw)		
Controls		12V DC proportional		12V DC proportional
Platform rotation		160 Degrees		160 Degrees
Auxiliary power unit		12V DC		12V DC
Tyres		15-22.5 SAT		15-22.5 SAT
Drive speed, stowed 4x4 models	5.3 km/h	3.3 mph	5.3 km/h	3.3 mph
Drive speed, raised or extended 4x4 models	1.1 km/h	0.68 mph	1.1 km/h	0.68 mph
Gradeability, stowed 4x4 models		45%		45%
Hydraulic tank capacity	170 litre	45 gal	170 litre	45 gal
Fuel tank capacity	125 litre	33 gal	125 litre	33 gal
Weight**	15,141 kg	33,380 lb	16,266 kg	35,860 lb

* The metric equivalent of working height adds 2 m to platform height. U.S. adds 6 ft to platform height.
** Weight will vary depending on options and/or country standards.

Distributed By:

Genie Industries

GENIE UNITED KINGDOM

The Maltings, Wharf Road
Grantham
Lincolnshire NG31 6BH
England
Telephone: +44 (0)1476 584333
Fax: +44 (0)1476 584334
http://www.genielift.com

GENIE UNITED STATES

18340 NE 76th Street
P.O. Box 97030
Redmond, Washington 98073-9730
Telephone +1 (425) 881 1800
Fax +1 (425) 3475
http://www.genielift.com

For further information, please contact your local distributor or the Genie sales office listed. Continuous improvement of our products is a Genie policy. Product specifications are subject to change without notice or obligation. The photographs and drawings in this brochure are for illustrative purposes only. Refer to the appropriate Genie S-80 and S-85 Operator's Manual for instructions on the proper use of this equipment. Failure to follow the appropriate Operator's Manual when using a Genie S-80 or S-85, or to otherwise act irresponsibly, may result in serious injury or death. Copyright © 1999 by Genie Industries. Genie and S are Registered Trademarks of Genie Industries in the USA and many other countries. S80 5K 0202G, 12/02 Part No B65017UK