



**Self-Propelled
Telescopic
Booms**

S-40 / S-45

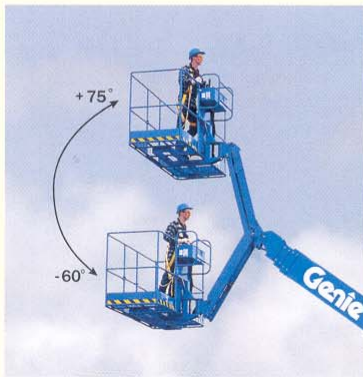
○ More of what
you need to
get the tough
jobs done.



Genie Industries

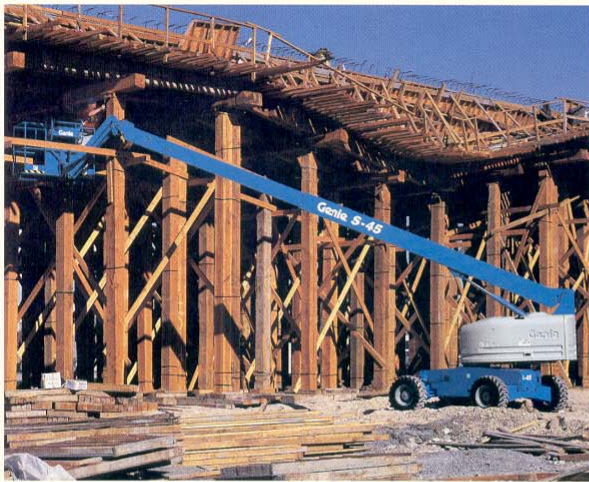
We give you features you won't find on other scissor lifts

Genie's S-40 and S-45 feature faster lift speeds, more powerful engine options, and low-profile chassis covers offering the industry more of what it needs to get the job done. Choose the Genie S-40 boom, with 14.2 m (46 ft) of working height, or the S-45, with an additional 1.52 m (5 ft) articulating jib boom. Customise your boom with many option packages.



S-45 Out-and-Up Articulating Jib Boom

This special option gives you an additional 1.52 m (5 ft) of horizontal reach for a total of 11.2 m (36 ft 8 in). The S-45 jib boom gives you flexibility too – 135° of working range. You not only access 75° above horizontal, but you can get to 60° below horizontal.



Standard Features

Proportional Controls

Allow smooth operation and easy positioning.

160° Hydraulic Platform Rotator

Gives you precise placement without repositioning the boom.

Easily Accessible Components

The swing-out engine tray and easy-to-understand electrical system simplify routine maintenance.

Positive Traction Drive

Full-time positive traction system on both 4x2 and 4x4 models.

Drive Enable System

Informs operator when the drive and steer functions will move opposite the controller movements.

Low-Profile Chassis Covers

Provide high visibility for the operator while unit is in stowed position.

Platform Controls

Large, simple to use controls for easy operation.

Transportability

The S-40 and S-45 are designed to load and unload easily from transport vehicles.

Increased Lift Speed

The capability to operate multiple functions simultaneously results in maximum lift speed. The S-40 elevates from the ground to full height in just 40 seconds.

ick booms.



Terrain Tracking Active Oscillation System

This revolutionary system automatically senses the terrain and adjusts the axle position based on ground conditions. The oscillating axle allows you to drive on uneven ground with the turntable rotated up to 90°. It provides an amazingly smooth ride even when the platform is raised.



Loeering Tracking Systems

Loeering offers two specially designed tracking systems for the S-40 and S-45. The tracks, available in both rugged steel and soft-bottom urethane, along with a wheel and idler system, give the lifts more traction and floatation in adverse conditions. The tracks attach quickly and easily with a customised installation tool. After initial installation, the drive-on design allows reinstallation in less than 30 minutes. The tracks are fully adjustable and rebuildable, making them the ultimate value.



Easily customised to meet your needs:

Engine Options

- Ford LRG 425 EFI
- Petrol/LPG 82 hp (61 kw)
- Deutz Diesel 56 hp (42 kw)
- Deutz Diesel 36 hp (27 kw)
- Perkins Diesel 60 hp (45 kw)

Platform Options

- Standard: Steel 6 ft (1.83 m)
- Optional: Steel 8 ft (2.44 m)

Drive Options

- 4x2 – two wheel drive
- gradeability up to 30%
- 4x4 – four wheel drive
- gradeability up to 40%

Axle Options

- Oscillating axle
- Non-oscillating axle

Tyre Options

- Rough terrain, air or foam filled.
- Rough terrain non-marking (4x4 only)
- High floatation turf tyre (4x4 only)



S-40 / S-45

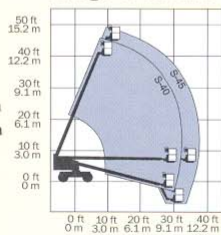
S-40 / S-45

Standard Features

- S-40 has 14.2 m (46 ft) working height
- S-45 has 15.7 m (51 ft) working height
- S-40 has 9.7 m (31 ft 8 in) horizontal reach
- S-45 has 11.2 m (36 ft 8 in) horizontal reach
- 227 kg (500 lb) lift capacity
- Oscillating axle system on 4x4 models
- Dual fuel (Petrol/LPG) Diesel engine options
- Fully proportional platform controls with ramp up/down feature
- Hydraulic platform rotation
- 360° continuous turntable rotation
- 12V DC auxiliary power
- Fuel select switch on platform and ground control panels (Petrol/LPG models)
- Closed-loop hydrostatic drive

- Hydraulic oil cooler
- Positive traction drive
- Drive enable system
- Self-leveling platform
- Locking turntable covers
- Anti-restart engine protection
- Auto engine fault shutdown
- AC wiring to platform
- Wire braided hose
- Tilt alarm
- Horn
- Hour meter

Range of Motion

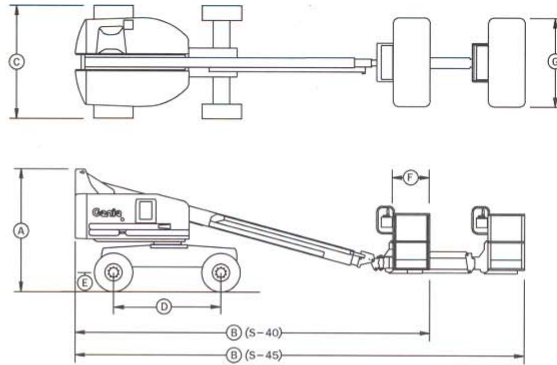


Options and Accessories

- Alarm package
- Cold start packages
- 2500 or 3000 watt AC generator
- 8 ft (2.44 m) steel platform
- Platform swing gate
- Air line to platform
- Platform rail pinch guard
- Platform work lights
- Lockable platform control box cover
- Tool tray
- Fluorescent tube caddy
- Hostile environment packages
- Additional LPG tank
- GS/LPS rating for Ford engine powered machines
- Foam-filled tyres
- Tow package
- Driving lights
- Weld lead to platform
- Spark arrester (Ford and Deutz)
- Scrubber/spark arrester (Deutz)

Standards Compliance

- CE EN280



Specifications

Model	S-40		S-45	
	Metric	US	Metric	US
Working height max*	14.2 m	46 ft	15.7 m	51 ft
Platform height max	12.2 m	40 ft	13.7 m	45 ft
(A) Height - stowed	2.5 m	8 ft 2 in	2.5 m	8 ft 2 in
(B) Length - stowed	7.4 m	24 ft 3 in	8.5 m	27 ft 10 in
Length - transport jib tucked under	-	-	6.8m	22ft 4 in
(C) Width	2.3 m	7 ft 6 in	2.3 m	7 ft 6 in
(D) Wheelbase	2.2 m	7 ft 3 in	2.2 m	7 ft 3 in
(E) Ground clearance	32 cm	12½ in	32 cm	12½ in
(F) Platform length:				
6 ft	76 cm	30 in	76 cm	30 in
8 ft	91 cm	36 in	91 cm	36 in
(G) Platform width:				
6 ft	1.83 m	72 in	1.83 m	72 in
8 ft	2.44 m	96 in	2.44 m	96 in
Horizontal reach max	9.7 m	31 ft 8 in	11.2 m	36 ft 8 in
Lift capacity	227 kg	500 lb	227 kg	500 lb
Turning radius - outside	4.78 m	15 ft 8 in	4.78 m	15 ft 8 in
Turning radius - inside	2 m	6 ft 8 in	2 m	6 ft 8 in
Turntable rotation	360° continuous	360° continuous		
Turntable tailswing	86 cm	34 in	86 cm	34 in
Power source	Deutz Diesel 56 hp (42 kw) Deutz Diesel 36 hp (27 kw) Perkins Diesel 60 hp (45 kw) Ford LRG 425 EFI Petrol/LPG 82hp (61kw)			
Platform rotation	160°	160°	160°	160°
Auxiliary power unit	12V DC		12V DC	
Tyres - RT Lug	12-16.5 NHS		12-16.5 NHS	
Tyres - Ribbed (4x2 front)	12.5L16SL		12.5L16SL	
Hydraulic tank capacity	170 litre	45 gal	170 litre	45 gal
Fuel tank capacity	125 litre	33 gal	125 litre	33 gal
Weight**	5,284 kg	11,650 lb	6,709 kg	14,790 lb
S-40/S-45	4x2		4x4	
Drive speed, stowed Deutz Diesel models	6.1 km/h	3.8 mph	4.5 km/h	2.8 mph
Drive speed, raised or extended	1.1 km/h	0.68 mph	1.1 km/h	0.68 mph
Gradeability - stowed	30%		40%	

* The metric equivalent of working height adds 2 m to platform height. U.S. adds 6 ft to platform height
** Weight will vary depending on options and/or country standards.

Distributed By:

Genie Industries

GENIE EUROPE

The Maltings, Wharf Road
Grantham
Lincolnshire NG31 6BH
England
Telephone: **+44 (0)1476 584333**
Fax: +44 (0)1476 584334
<http://www.genielift.com>

GENIE UNITED STATES

18340 NE 76th Street
P.O. Box 97030
Redmond, Washington 98073-9730
Telephone: **+1 425 881 1800**
Fax: +1 425 883 3475
<http://www.genielift.com>

For further information, please contact your local distributor or the Genie sales office listed. Continuous improvement of our products is a Genie policy. Product specifications are subject to change without notice or obligation. The photographs and drawings in this brochure are for illustrative purposes only. Refer to the appropriate Genie S-40 and S-45 Operator's Manual for instructions on the proper use of this equipment. Failure to follow the appropriate Operator's Manual when using a Genie S-40 or S-45, or to otherwise act irresponsibly, may result in serious injury or death. Copyright © 2001 by Genie Industries. "Genie" and "S" are Registered Trademarks of Genie Industries in the USA and many other countries. Loegering is a registered trade mark of Loegering. Genie is the owner of US Patent: 5,447,331 and Patents Pending, 01/03, part No. B65015UK