



Self-Propelled Aerial Work Platform

Runabout™

○ A compact machine with low overall weight.



Genie Industries

Genie Runabout™

- The Runabout features Genie's patented mast system with high strength interlocking aluminium mast sections and heavy duty lifting chains.
- Narrow 75 cm (29½ in) width and 1.35 m (53 in) length **allow unit to fit in most passenger elevators.**
- Low 48 cm (19 in) entry height allows operators to enter the platform easily. **Unit can be driven through doorways with operator on board.**
- Optional platform extension deck provides 51 cm (20 in) of horizontal outreach.
- Standard non-marking tyres and low unit weight **allow use on sensitive flooring.**

- Standard dual wheel spring-applied, hydraulically released braking system.
- **All models are driveable when fully elevated.** GR-8 and GR-12 models can be driven when fully elevated with the optional platform extension deck deployed. GR-15 can be driven when fully elevated with the optional extension deck retracted.

Standard Features

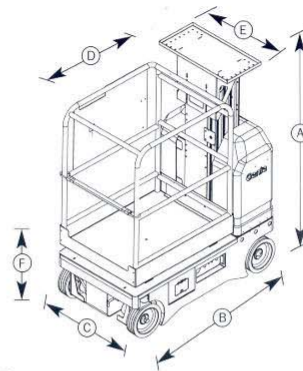
- 227 kg (500 lb) lift capacity on GR-8, GR-12; 159 kg (350 lb) lift capacity on GR-15
- 24V DC electric motor provides clean power for indoor use
- High battery amp hour rating provides prolonged usage between charges
- 25 amp automatic charger for easy overnight recharging
- Proportional drive controls
- 30% gradeability
- Standard platform with basic sliding midrail
- Fixed pothole protection
- Forklift pockets and tie-down points
- Non-marking solid rubber tyres
- Descent and tilt alarms
- Workstation tray

Options and Accessories

- Platform extension deck with gated-entry platform
- Fluorescent tube caddy
- 1,000 watt inverter
- Mast guard (in lieu of workstation tray)

Standards Compliance

- CE EN280



Specifications

Model	GR-8		GR-12		GR-15	
	Metric	US	Metric	US	Metric	US
Working height ¹	4.54 m	14 ft 4 in	5.58 m	17 ft 9 in	6.62 m	21 ft 2 in
Platform height	2.54 m	8 ft 4 in	3.58 m	11 ft 9 in	4.62 m	15 ft 2 in
(A) Height - stowed with workstation tray	1.79 m	70 ½ in	1.79 m	70 ½ in	1.79 m	70 ½ in
with mastguard	1.79 m	70 ½ in	1.79 m	70 ½ in	1.79 m	70 ½ in
(B) Length	1.35 m	53 in	1.35 m	53 in	1.35 m	53 in
(C) Width	76 cm	30 in	76 cm	30 in	76 cm	30 in
(D) Platform length	94 cm	37 in	94 cm	37 in	94 cm	37 in
(E) Platform width	75 cm	29 ½ in	75 cm	29 ½ in	75 cm	29 ½ in
Platform length — extended	1.45 m	57 in	1.45 m	57 in	1.45 m	57 in
Platform extension length	51 cm	20 in	51 cm	20 in	51 cm	20 in
(F) Platform entry height	48 cm	19 in	48 cm	19 in	48 cm	19 in
Lift capacity	227 kg	500 lb	227 kg	500 lb	159 kg	350 lb
Extension deck capacity	113 kg	250 lb	113 kg	250 lb	113 kg	250 lb
Turning radius — outside	1.57 m	62 in	1.57 m	62 in	1.57 m	62 in
Turning radius — inside	15 cm	6 in	15 cm	6 in	15 cm	6 in
Power source	24V (4 6V 205AH batteries) (all models)					
Drive speed — stowed	4 km/h	2.5 mph	4 km/h	2.5 mph	4 km/h	2.5 mph
Drive speed — raised	0.8 km/h	0.5 mph	0.8 km/h	0.5 mph	0.8 km/h	0.5 mph
Raise/lower speed	15/20 sec		18/20 sec		20/20 sec	
Gradeability	30%		30%		30%	
Weight	658 kg	1,450 lb	748 kg	1,650 lb	975 kg	2,150 lb

¹ The metric equivalent of working height adds 2 m to platform height. U.S. adds 6 ft to platform height.

Distributed By:

Genie Industries

GENIE UNITED KINGDOM

The Maltings, Wharf Road
Grantham
Lincolnshire NG31 6BH
England
Telephone +44 (0)1476 584333
Fax +44 (0)1476 584334
<http://www.genielift.com>

GENIE UNITED STATES

18340 NE 76th Street
P.O. Box 97030
Redmond, Washington 98073-9730
Telephone +1 (425) 881-1800
Fax +1 (425) 883-3475
<http://www.genielift.com>

For further information, please contact your local distributor or the Genie sales office listed. Continuous improvement of our products is a Genie policy. Product specifications are subject to change without notice or obligation. The photographs and drawings in this brochure are for illustrative purposes only. Refer to the appropriate Genie Runabout Operator's Manual for instructions on the proper use of this equipment. Failure to follow the appropriate Operator's Manual when using a Genie Runabout, or to otherwise act irresponsibly, may result in serious injury or death. Copyright © 2001 by Genie Industries. "Genie" is a Registered Trademark of Genie Industries in the USA and many other countries. "Runabout" is a Trademark of Genie Industries. Runabout 12/02 Part No. B64999UK.