



**Narrow  
Self-Propelled  
Articulating  
Boom**

**Z-34/22N**

The narrow  
access solution.



**Genie Industries**

# Z-34/22N

## Reasons to make the Z-34/22N your access solution.

- The all new **Sep-Ex 48V DC drive** system allows maximum drive performance resulting in **35% gradeability** and **3.5 mph travel speed**.
  - The Sep-Ex motor controller **eliminates the need for forward/reverse contractors or speed sensors**. This reduces complexity and improves the reliability of the drive system.
  - The Sep-Ex drive motors and controller provide automatic **hill braking and ramp braking**.
  - **Ideal for confined work spaces**-the Z-34/22N is only 1.47 m (58 in) wide and has zero tailswing.
  - **Rolls through standard double doorways**. The Z-34/22N narrow boom works both indoors and out with emission-free, noise-free electric drive.
  - A standard **1.22 m (4 ft) jib boom with 144° range of motion** operates above or below horizontal throughout the full boom range of motion.
- The combination of **12.5 m (40 ft 4 in) working height, 6.8 m (22 ft 4 in) outreach and up and over clearance of 4.6 m (15 ft 3 in)** provides the most versatile range of motion in its class.
  - **160° powered platform rotation** allows easy operation and precise platform positioning.
  - **Compact storage length** of 4.2 m (13 ft 9in) and width of 1.47 m (58 in).
  - **Dual parallelogram riser design** allows ascent and descent along a vertical plane without retracting or extending the boom.

### Standard Features

- 12.5 m (40 ft 4 in) working height
- 6.8 m (22 ft 4 in) horizontal reach
- Compact 1.47 m (58 in) width
- 227 kg (500 lb) lift capacity
- 48V DC power source
- Proportional drive and lift
- 160° platform rotation
- Articulating jib features 144° working range
- Drive enable system
- Self-leveling platform
- AC wiring to platform
- Non-marking tyres
- Hour meter

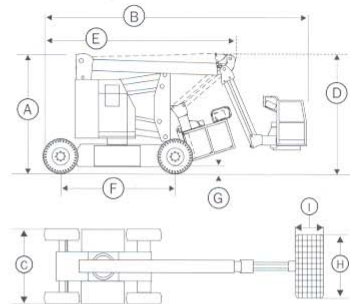
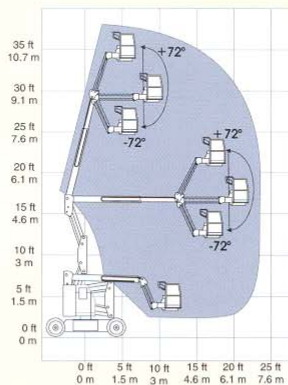
### Options and Accessories

- Alarm package
- Lift/drive select
- Platform swing gate
- Air line to platform
- Battery charge indicator
- LVI (low voltage interrupt) with BCI (battery charge indicator)

### Standards Compliance

- CE EN280

### Range of Motion



### Specifications

	Metric	US
Working height max**	12.5 m	40 ft 4 in
Platform height max	10.5 m	34 ft 4 in
(A) Height - stowed	2 m	6 ft 7 in
(B) Length - stowed	5.7 m	18 ft 7 in
(C) Width	1.47 m	58 in
(D) Storage height	2.26 m	89 in
(E) Storage length	4.2 m	13 ft 9 in
(F) Wheelbase	1.88 m	6 ft 2 in
(G) Ground clearance	15 cm	5 3/4 in
(H) Platform width	1.42 m	56 in
(I) Platform length	76 cm	30 in
Horizontal reach max	6.8 m	22 ft 4 in
Up and over clearance	4.6 m	15 ft 3 in
Lift capacity	227 kg	500 lb
Turning radius (outside)	3.9 m	12 ft 9 in
Turning radius (inside)	1.83 m	6 ft
Turntable rotation	355°	355°
Tailswing	zero	zero
Platform rotation	160°	160°
Power source	8 group - 4H (6V 315 AH batteries)	
Drive speed - stowed	0-5.6 km/h	0-3.5 mph
Drive speed - raised†	0-1 km/h	0-0.6 mph
Controls	proportional drive and lift	
AC wiring to platform	standard	
Tyres (solid rubber: non-marking)	60x18x45 cm treaded	22x7x17 3/4 in treaded
Gradeability	35%	35%
Hydraulic tank capacity	19 litre	5 gal
Weight***	5,216 kg	11,500 lb

\* In lift mode (platform raised), the machine is designed for operation on firm level surfaces only.  
 \*\* The metric equivalent of working height adds 2 m to platform height. U.S. adds 6 ft to platform height.  
 \*\*\* Weight will vary depending on options and/or country standards.

Distributed By:

## Genie Industries

### GENIE UNITED KINGDOM

The Maltings, Wharf Road  
 Grantham  
 Lincolnshire NG31 6BH  
 England  
 Telephone: **+44 (0)1476 584333**  
 Fax: +44 (0)1476 584334  
<http://www.genieindustries.com>

### GENIE UNITED STATES

18340 NE 76th Street  
 P.O. Box 97030  
 Redmond, Washington 98073-9730  
 Telephone **+1 (425) 881 1800**  
 Fax +1 (425) 883 3475  
<http://www.genieindustries.com>

For further information, please contact your local distributor or the Genie sales office listed. Continuous improvement of our products is a Genie policy. Product specifications are subject to change without notice or obligation. The photographs and drawings in this brochure are for illustrative purposes only. Refer to the appropriate Genie Z-34/22N Operator's Manual for instructions on the proper use of this equipment. Failure to follow the appropriate Operator's Manual when using a Genie Z-34/22N, or to otherwise act irresponsibly, may result in serious injury or death. Copyright © 1997 by Genie Industries. "Genie" and "Z" are Registered Trademarks of Genie Industries in the USA and many other countries. Genie is a Terex Company. 06/03, Part No. B65021UK