

- Lifting height : 12 m
- Capacity : 3200 kg
- Maximum forward reach : 8,32 m
 - Torque convertor
- HYDRAULIC STABILIZERS



MT1232 S

IN ACCORDANCE WITH

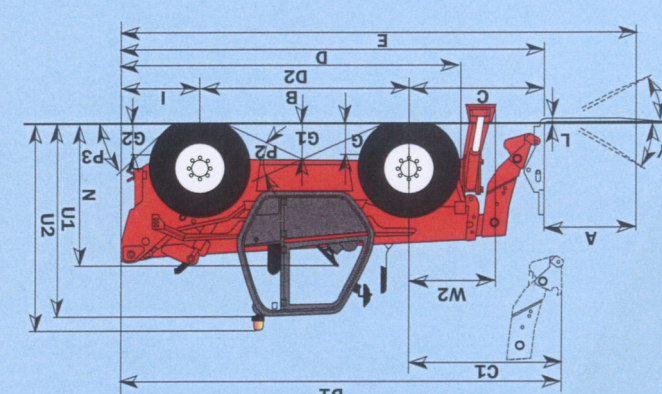
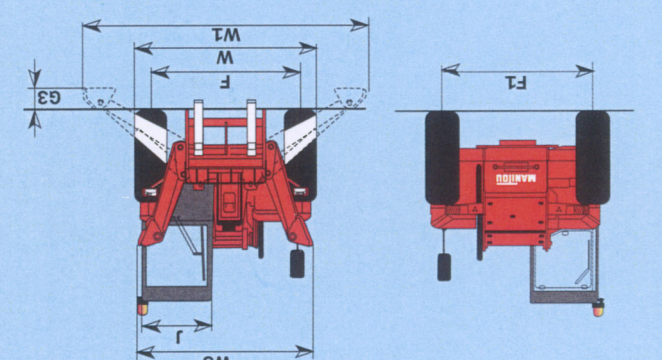
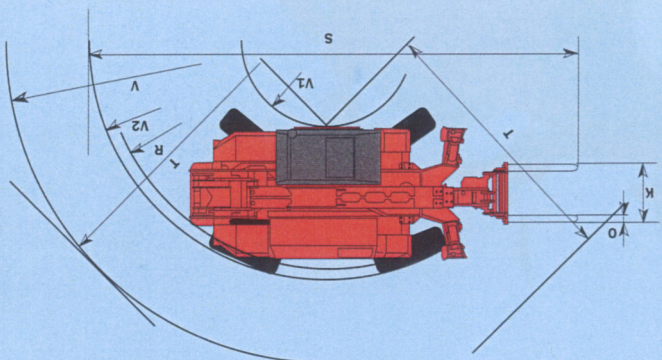


This publication in no way constitutes an offer and the company reserves the right to alter specification without prior notice. The MANTOU models presented in this brochure can be supplied complete with optional equipment without attachments.

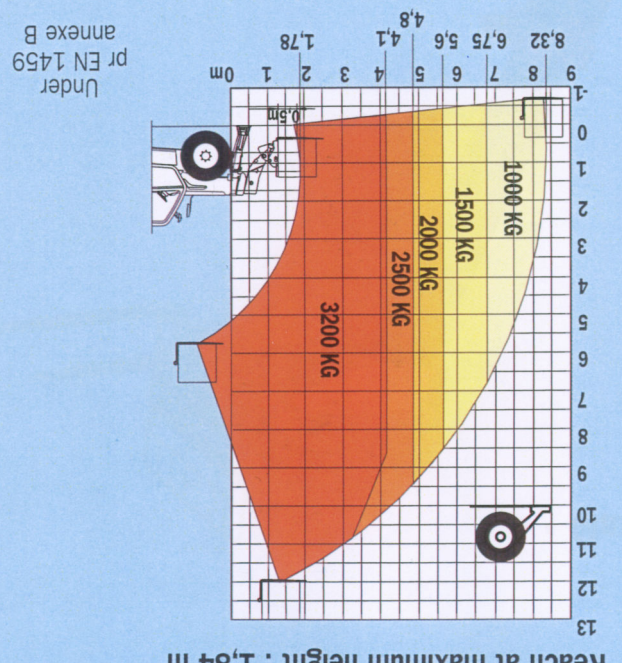
THE POWER OF IMAGINATION



B.P. 249 - 44158 ANGENIS CEDEX FRANCE
 TEL : (33) 40 09 10 11
 EXPORT DEPARTMENT FAX : (33) 40 09 10 97
 SPARE PARTS FAX : (33) 40 09 10 99
 TELEX : 710 521



Z	112°
Y	12°
W3	2350
W2	1050
W1	3820
W	2355
V2	4000
V1	1320
V	5300
U3	2590
U2	2750
U1	2650
T	4365
S	8365
R	3640
P3	40°
P2	43.5°
O	125
L	45
K	1030
J	950
I	1050
G3	340
G2	450
G1	445
G	450
F1	1970
F	1970
E	6800
D2	4450
D1	5490
D	5600
C1	1670
C	1780
B	2770
A	1200



- Lifting capacity** : 3200 kg at 500 mm from forks heels.
- Tippling load** : 1383 kg at maximum reach ; 7000 kg at ISO 8313-1986 with tilting ram.
- Lifting height** : 12 m
- Times : unladen / loaded (in s)** : 12/12,5
- Lifting** : 8,5/8
- Lowering** : 15,4/15,4
- Simultaneous extension 1st and 2nd booms** : 12,7/12,2
- Simultaneous retraction 1st and 2nd booms** : 4,75
- Time unladen (in s)** : 4,2
- Crowd** : 4,2
- Dump** : 4,2
- Tyres** : GOOD YEAR 15,5/80 - 24 12 PR SGI
- Forks (mm)** : 1200
- Length x thickness** : 125 X 45
- Maximum distance between forks** : 1030
- Carriage rotation** : 124°
- Multidisc brakes - hydraulically assisted on both axles**
- PERKINS Engine** : Type : 1004,4/1004,4 Turbo Capacity : 4 cylindres - 3990 cm³ Power (DIN 6270 B) : Atmo : 79 cv/58 kw Turbo : 104 cv/76,5 kw Maximum torque : Atmo : 289 Nm a 1425 tr/mn Turbo : 349 Nm a 1800 tr/mn
- Transmission** : Torque convertor
- Electro-hydraulic reversing shift** : 4 speeds forward and reverse
- Maximum travel speed** : 25 km/h
- Hydraulics** : Lifting/tilting pump
- Gear type** : 260 bars/166 l/mn
- Flour divider with load sensing device driving and braking**
- Capacities** : Cooling system : 17 l. Engine oil Atmo : 9,5 l. Turbo : 10,5 l. Hydraulic oil : 190 l. Transmission oil : 16 l. Fuel tank : 135 l.
- Weight unladen (with forks)** : 9250 kg
- Overall width** : 2,39 m
- Overall height** : 2,55 m
- Turning radius (outside wheels)** : 4,00 m
- Overall length** : 5,60 m
- Ground clearance** : 0,45 m
- Draw bar pull** : 7700 kg